



PT270P Series Pan/Tilt

INDOOR, LIGHT DUTY

Product Features

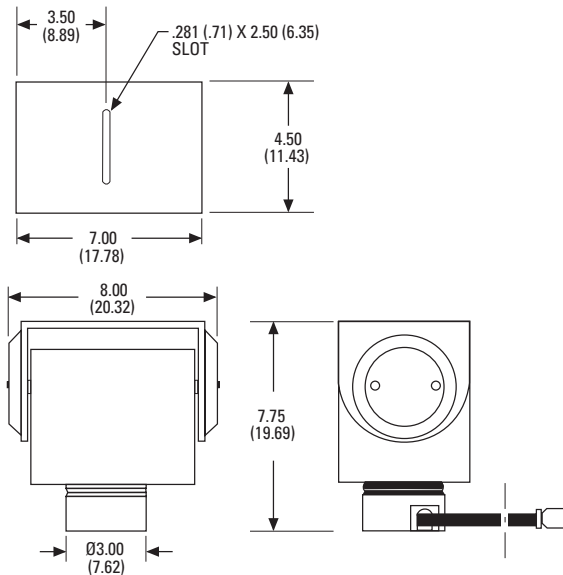
- “Mini” Pan/Tilt
- Easily Serviced
- Inverted Operation
- Indoor Applications
- External Limit Adjustments
- High Speed Pan Movement ($12^\circ/\text{sec} \pm 1^\circ$)
- 24 VAC, 120 VAC, or 230 VAC Operation
- Capable of Auto/Random Scan Operation when Used with Appropriate Control
- Maximum Load 15 Pounds (6.8 kg)



The **PT270 Series** of “mini” pan/tilts have been carefully engineered to accommodate the lighter, smaller, new generation of CCTV cameras. Small in size, but rugged in operation, the **PT270** measures only 7.75 inches (19.69 cm) high, 8 inches (20.32 cm) wide, and 4.50 inches (11.43 cm) deep. Ideally suited for indoor operation, this pan/tilt can be used in discreet enclosure applications or where space is a consideration.

The **PT270** features aluminum and steel construction and has long-life 24 VAC, 120 VAC, or 230 VAC motors capable of auto/random scan operation when used with the appropriate Pelco control.

The **PT270 Series** is capable of handling a maximum load of 15 pounds (6.8 kg), making it suitable for use with our EH3010 and other small enclosures.



DRILL & TAP 3 PLCS. TYP. 1/4-20 X 3/8"
ON A 1.00 (2.54) DIA. B.C. EQUALLY SPACED

NOTE: VALUES IN PARENTHESES ARE CENTIMETERS;
ALL OTHERS ARE INCHES.



DataFAX
SPEC: 2323
MANUAL: 23236

C323 / REVISED 10-03



TECHNICAL SPECIFICATIONS

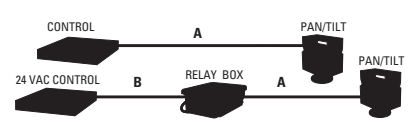
MODELS

PT270P	Light duty mini pan/tilt, 120 VAC
PT270-24P	Light duty mini pan/tilt, 24 VAC
PT270P/230	Light duty mini pan/tilt, 230 VAC

ELECTRICAL

Input Voltage		
PT270P	120 VAC, 60 Hz	
PT270-24P	24 VAC, 50/60 Hz	
PT270P/230	230 VAC, 50 Hz	
Power Requirements (Running)	Pan	Tilt
PT270P	0.06A (7.2 VA)	0.07A (8.4 VA)
PT270-24P	0.31A (7.6 VA)	0.43A (10.3 VA)
PT270P/230	0.03A (8.9 VA)	0.03A (8.7 VA)
Connectors	AMP CPC type (mate supplied)	
Motors	Two-phase induction type, instantaneous reversing	
Limit Switches	5A each (pan/tilt); external adjustment	
Conductor Requirements	6 or 7, unshielded (functions: left, right, up, down, motor common, safety ground). No additional conductors for auto scan when used with solid-state control	

Maximum Operating Distances



	Cable Size	Maximum Distance	
		A	B
PT270-24P 6 Conductors	20 AWG (0.5 mm ²)	159 ft (48 m)	5,800 ft (1,767 m)
	18 AWG (1.0 mm ²)	254 ft (77 m)	8,250 ft (2,515 m)
	16 AWG (1.5 mm ²)	403 ft (123 m)	13,000 ft (3,962 m)
7* Conductors	20 AWG (0.5 mm ²)	274 ft (84 m)	
	18 AWG (1.0 mm ²)	437 ft (133 m)	
	16 AWG (1.5 mm ²)	694 ft (212 m)	
PT270P 6 Conductors	20 AWG (0.5 mm ²)	4,547 ft (1,386 m)	
	18 AWG (1.0 mm ²)	7,234 ft (2,205 m)	
	16 AWG (1.5 mm ²)	11,481 ft (3,499 m)	
PT270P/230 6 Conductors	20 AWG (0.5 mm ²)	14,714 ft (4,484 m)	
	18 AWG (1.0 mm ²)	23,409 ft (7,135 m)	
	16 AWG (1.5 mm ²)	37,151 ft (11,323 m)	

*Using 2 wire motor common

- Notes:
- Distance (A) from control to pan/tilt is the same as distance from relay box to pan/tilt.
 - Maximum operating distance can be extended by using a low voltage control (24 VAC) and a relay box. Distance (B) from control to relay box is the same for all applications.
 - Distances are calculated with both motors (pan and tilt) running and assuming a 10% voltage drop in the cable.

MECHANICAL

Pan	0-355° movement in horizontal plane
Speed	12°/sec ±1°
Tilt	±90° movement in vertical plane
Speed	3°/sec ±0.5°
Maximum Load	15 lb (6.8 kg) at 2" (5.08 cm) from tilt table surface to center of gravity
Gearing	Chain and sprocket final drive
Bearings	Pan – Heavy duty ball bearings Tilt – Oilite bronze bushing
Braking	Friction type
Duty Cycle	50% duty cycle; 30 minute rating

GENERAL

Construction	Aluminum and steel; all internal parts corrosion protected
Finish	Gray polyester powder coat
Environment	Indoor; 32° to 120°F (0° to 49°C)
Unit Weight	9 lb (4 kg)
Shipping Weight	10 lb (4.5 kg)

CERTIFICATIONS/RATINGS

- CE, Class B (PT270-24P, PT270P/230)
- UL Listed (PT270P, PT270-24P)
- Meets NEMA Type 1 standards

RECOMMENDED CONTROLS

Coaxitron or Matrix	See individual specification sheets for information.
MPT24DT	Desktop control for 24 VAC pan/tilt.
MPTAZ Series	Desktop pan/tilt and zoom lens control with auto/random scan for 120/24/230 VAC pan/tilts.
RB115, RB24, RB220	Relay box for extended low voltage operation. Extends operating distance (control to relay box). For use with 120/24/230 VAC pan/tilts and 24 VAC output controls.

RECOMMENDED ENCLOSURE

EH3010/EH3014	Small, indoor enclosure
EH4010/EH4014	Small, indoor enclosure
EH3508/EH3512	Small, indoor/outdoor enclosure

RECOMMENDED MOUNTS

PM14	Light duty wall mount; maximum load 20 lb (9.07 kg)
PM105	Medium duty wall mount; maximum load 40 lb (18.14 kg)



Pelco Worldwide Headquarters:

3500 Pelco Way, Clovis, California 93612-5699 USA

USA & Canada Tel: (800) 289-9100 • FAX (800) 289-9150 • DataFAX (800) 289-9108

International Tel: (559) 292-1981 • FAX (559) 348-1120 • DataFAX (559) 292-0435

www.pelco.com

Specifications subject to change without notice.
©Copyright 2003, Pelco. All rights reserved.