



# MCC1370H-2 Digital CCD Monochrome Camera

## 1/3-INCH, HIGH RESOLUTION, 560 TVL (EIA), COMPACT

### Product Features

- Compact Body Style
- 1/3-Inch Format CCD Imager
- CS Lens Mount (C-Mount Lenses Require Optional Adapter)
- 24 VAC Power with Line Lock
- AGC Function
- Backlight Compensation
- Analog Eclipser Function
- Horizontal Resolution of 560 TV Lines
- Digital Signal Processing
- For Use with DC-Controlled and Video Drive Auto Iris Lenses or Fixed/Manual Iris Lenses



(LENS NOT SUPPLIED WITH CAMERA)

The **MCC1370H-2** is Pelco's smallest digital monochrome CCD imager. The compact camera's high resolution, 1/3-inch format CCD imager and high-density image sensor ensure a sharp and clear picture over a wide range of conditions.

The **MCC1370H-2's** extensive features create top quality picture output in various lighting environments. The camera adjusts automatically to light changes when the automatic gain control is used with a fixed or manual iris lens. The analog eclipser function allows the auto-iris lens to create clear images in a dark area with a strongly backlit background. Backlight compensation adjusts the picture to prevent objects from appearing extremely dark due to a strong backlight. The **MCC1370H-2** integrates other fine-tuning functions such as automatic sensitivity adjustment, real-time auto white balance, and auto iris lens output.

The **MCC1370H-2** has a standard CS lens mount and can be used with fixed, manual, or auto iris (DC or video drive controlled) lenses. The iris is controlled through a standard four-pin square connector that is included on all Pelco auto iris lenses.

The **MCC1370H-2** has a quick-connect power connection, BNC video connector, and a standard 1/4-inch UNC-20 screw for top or bottom mounting. The camera is quick and easy to install and is ideal for use with DF5, DF8A, EH100, EH3508, and EH2508 enclosures. The camera is also featured in Pelco's DomePak<sup>®</sup> and ImagePak<sup>®</sup> fixed camera dome/enclosure packages.



DataFAX  
SPEC: 21939  
MANUAL: 219616

C1939 / REVISED 10-03



International Organization  
for Standardization  
Registered ISO 9001



# TECHNICAL SPECIFICATIONS

## MODEL

MCC1370H-2 1/3-inch, high resolution digital monochrome CCD camera, 560 TVL, EIA format

## GENERAL

CCD Sensor 1/3-inch interline transfer  
Picture Elements 380K  
Sensing Area 3/16 x 1/8-inch (4.7 x 3.5 mm)  
Synchronization System AC line lock  
Horizontal Resolution 560 TV lines  
Iris Control Electronic/passive  
Minimum Illumination 0.1 lux, f1.2, 40 IRE, AGC on, 75% reflectance  
ESC 300:1  
Signal-to-Noise Ratio >48 dB  
Gain Control Automatic  
Vertical Phase Adjustable  $\pm 90^\circ$   
Automatic Gain Control Selectable  
Backlight Compensation Selectable  
Scanning System 525 lines, 2:1 interlace  
Signal Processing DSP  
Auto Iris Lens Type DC/video control  
Video Output 1Vp-p, 75 ohms

## ELECTRICAL

Power Requirements 24 VAC, 60 Hz  
Power Consumption 3 watts  
Power Connector 3-pin terminal strip, push-in type  
Video Connector BNC  
Lens Jack 4-pin connector (miniature square)

## MECHANICAL

Lens Mount CS mount  
Camera Mount 1/4-inch UNC-20 screw, top and bottom of camera housing

## ENVIRONMENTAL

Operating Temperature 14° to 122°F (-10° to 50°C)  
Storage Temperature -40° to 140°F (-40° to 60°C)  
Humidity 20% to 80% (non-condensing)

## PHYSICAL

Weight (without lens) 0.40 lb (0.20 kg)  
Shipping Weight 1 lb (0.45 kg)

## CERTIFICATIONS

- CE, Class B
- UL Listed
- UL Listed to Canadian safety standards
- FCC, Class B

## RECOMMENDED MOUNTS

BS1750/CM1750/  
CM1750S/TB1750 Adjustable swivel head camera mounts for wall, ceiling or pedestal mounting.

## RECOMMENDED POWER SUPPLIES

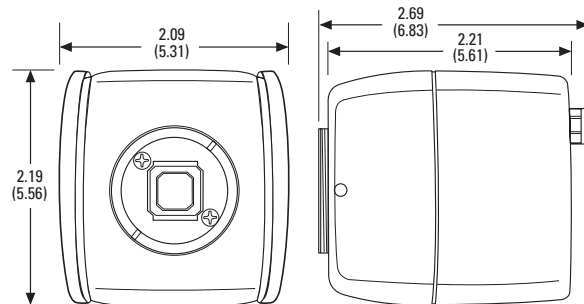
TF2000 Power supply for one 24 VAC camera, 20 VA  
MCS Series Multiple 24 VAC camera power supply, indoor  
WCS Series Single/multiple 24 VAC camera power supply, outdoor

## RECOMMENDED LENSES

13FA, FD Series Fixed focal length lenses, 1/3-inch format. FA (manual iris); FD (auto iris, DD).  
13VA, VD Series Varifocal lenses, 1/3-inch format. VA (manual iris); VD (auto iris, DD).  
13ZD, ZM Series Motorized zoom lenses, 1/3-inch format. ZD (auto iris, DD); ZM (manual iris).

## LENS ACCESSORIES

LDC100 Auto iris drive converter. Converts a DC-drive auto iris lens to a video drive auto iris lens. Compatible with all lens size formats.  
PCMA40 Lens adapter. Adapts standard C-mount lenses to CS-mount cameras.



NOTE: VALUES IN PARENTHESES ARE CENTIMETERS;  
ALL OTHERS ARE INCHES.

**NOTE:** For outdoor camera installations, a Pelco enclosure is recommended.



### Pelco Worldwide Headquarters:

3500 Pelco Way, Clovis, California 93612-5699 USA

**USA & Canada** Tel: (800) 289-9100 • FAX (800) 289-9150 • DataFAX (800) 289-9108

**International** Tel: (559) 292-1981 • FAX (559) 348-1120 • DataFAX (559) 292-0435

[www.pelco.com](http://www.pelco.com)

DomePak® and ImagePak® are registered trademarks of Pelco.  
Specifications subject to change without notice.  
©Copyright 2003, Pelco. All rights reserved.