



## PRODUCT SPECIFICATION

# 200 Series Camclosure™ Camera System

## INTEGRATED CAMERA SYSTEM, INDOOR/OUTDOOR, WALL/CEILING

CE



IP66

### Product Features

- Fully-Integrated Enclosure With Camera and Lens Package
- Rugged, High-Impact and Vandal Resistant
- Easy to Install; Camera Module Easy to Remove
- Mounts to Ceiling, Wall or Corner
- Tamper-Resistant Hardware
- Circuitry Protected Against Incorrect Jumper Placement
- Concealed Cabling
- 12 VDC or 24 VAC Operation
- Low-Temperature Operation to -50°F (-46°C); de-ices to -10°F (-23°C)
- Clear Window
- NTSC/PAL or EIA/CCIR Camera Formats
- All Color Cameras Feature Digital Signal Processing
- Fixed Focal Length Lens of 2.9 mm, 6 mm, 8 mm, or 12 mm
- Varifocal Lens of 3 mm to 6 mm with Auto Iris, Available with High Resolution Color Camera
- AC Line Lock with All Color Cameras in 24 VAC Operation
- All Lenses, Except Varifocals, are Pre-focused at the Factory
- Conduit Ready (3/4-inch NPT)
- Meets NEMA 4X and IP66 Standards (when installed)



CEILING MOUNT



CORNER MOUNTED WITH ICS200-CM CORNER MOUNT

The **200 Series Camclosure™ Integrated Camera System** incorporates a camera and lens package into a small, “wedge” style enclosure. The system is quick and easy to install in a variety of indoor or outdoor applications.

The **200 Series System** can be mounted directly to a wall, ceiling, or corner using the optional ICS200-CM Corner Mount. Installation options include using a fixed or adjustable mounting pattern. An adjustable pattern increases the pan adjustment 24 degrees.

The **200 Series Integrated Camera System** has a manual pan adjustment of ±10 degrees and manual tilt adjustment of 5 degrees above horizontal to 20 degrees below horizontal. The unit is factory set for 24 VAC operation, but can be configured for 12 VDC with just a simple jumper adjustment.

Camera options include 1/3-inch format CCD color imager (standard or high resolution) and monochrome imager (standard resolution) with fixed focal length lenses of 2.9 mm, 6 mm, 8 mm, and 12 mm. Cameras with a varifocal lens have a 1/4-inch format high resolution CCD color imager.



International Standards Organization Registered Firm ISO 9001 Quality System

## TECHNICAL SPECIFICATIONS

### ELECTRICAL

Input Voltage	12 VDC or 24 VAC ( $\pm 10\%$ )
Power Consumption	
Camera	<3 watts
Heaters	10 watts when active; thermostatically controlled
Video Connector	BNC

### GENERAL

Cable Entry	One 3/4-inch (1.9 cm) threaded conduit opening on rear; One 5/8-inch (1.58 cm) opening through gasket on base
Pan/Tilt Adjustment	Manual $\pm 10^\circ$ pan; 5° above horizontal to 20° below horizontal tilt; additional 24° pan adjustment when installing using the adjustable mounting pattern in base

### ENVIRONMENTAL

Environment	Low temperature, indoor/outdoor
Operating Temperature	-50° to 122°F (-46° to 50°C); de-ices to -10°F (-23°C)
Thermostat Operation	Heater is thermostatically controlled to activate ON at 50°F (10°C) and OFF at 80°F (27°C)

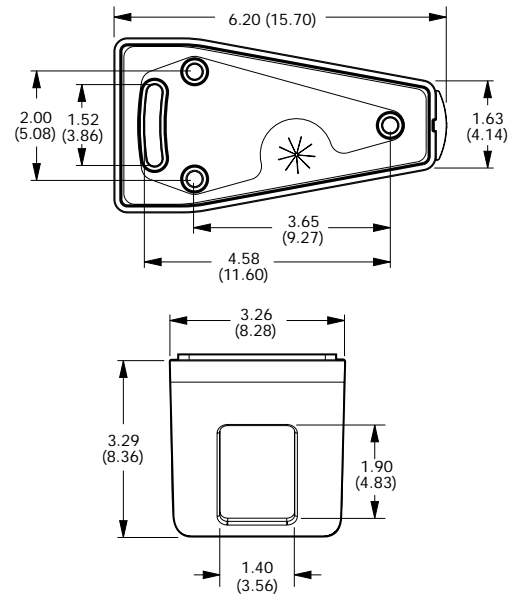
### PHYSICAL

Construction	Aluminum base and cover, steel camera mounting bracket
Finish	Gray polyester powder coat
Dimensions	3.29 (H) x 3.26 (W) x 6.20 (L) inches (8.36 x 8.28 x 15.70 cm)
Unit Weight	1.25 lb (0.57 kg)
Shipping Weight	2.0 lb (0.90 kg)

### CERTIFICATIONS/RATINGS

- ◆ CE and FCC, Class A (models with monochrome cameras only, excluding auto iris models)
- ◆ CE and FCC, Class B (models with color cameras only, excluding auto iris models)
- ◆ UL listed to Standard 2044
- ◆ cUL to CSA C22.2 No.1
- ◆ Meets IP66 when installed properly
- ◆ Meets NEMA 4X when installed properly, includes:
  - Corrosion protection test; NEMA 250, Section 6.9 (exceeds IEC 68-2-11)
  - Rust resistance test; NEMA 250, Section 6.8
  - Hose down test; NEMA 250, Section 6.7
  - Exceeds SAE J1211 dust test
- ◆ Tested in accordance with MIL-STD 810E as follows:
  - Shock test; Section 516.4 (exceeds IEC 68-2-27)
  - Humidity test; Sections 520.1 and 507.3 (exceeds IEC 68-2-30)
  - Vibration test, Section 514.4 (exceeds IEC 68-2-6)
- ◆ ASTM Shipping Standard
- ◆ ISTA Shipping Standard

All tests are performed in accordance with ISO Guide 25 and ANSI/NCSL Z540-1



NOTE: VALUES IN PARENTHESES ARE CENTIMETERS;  
ALL OTHERS ARE INCHES.

## TECHNICAL SPECIFICATIONS

### CAMERA SPECIFICATIONS

	Black & White Standard Resolution (Models ICSxxx-MAx/ ICSxxx-MCx)	Color Standard Resolution (Models ICSxxx-CAx/ ICSxxx-CCx)	Color High Resolution, Fixed Focal Lens (Models ICSxxx-CRx/ ICSxxx-CSx)	Color High Resolution, Varifocal Lens (Models ICSxxx-CRVx/ ICSxxx-CSVx)
Signal System Imaging Device	EIA or CCIR 1/3-inch CCD	NTSC or PAL 1/3-inch Interline Color CCD	NTSC or PAL 1/3-inch Interline Color CCD	NTSC or PAL 1/4-inch Interline Color CCD (Super HAD)
Scanning System Sync System	2:1 Interlace Internal	2:1 Interlace 12 VDC: Internal 24 VAC: External (VD Lock)	2:1 Interlace 12 VDC: Internal 24 VAC: External (VD Lock)	2:1 Interlace 12 VDC: Internal 24 VAC: External (VD Lock)
Horizontal Resolution	EIA: 420 TV lines CCIR: 420 TV lines	NTSC: 350 TV lines PAL: 350 TV lines	NTSC: 470 TV lines PAL: 460 TV lines	NTSC: 480 TV lines PAL: 480 TV lines
Signal-to-Noise Ratio	50 dB	48 dB	48 dB	48 dB (AGC Off)
Min. Illumination Sensitivity	0.1 lux (f2.0)	1 lux (f2.0)	1 lux (f2.0)	Less than 1.2 lux (f1.2)
Video Out	1 Vp-p Composite (75 ohm)	1 Vp-p Composite (75 ohm)	1 Vp-p Composite (75 ohm)	1 Vp-p Composite (75 ohm)
Gain Control	Auto	Auto	NTSC: Auto PAL: Manual	On/Off by DIP switch (0-20dB)
Exposure	Electronic Shutter (1/60 - 1/100,000)	Electronic Shutter (1/60 - 1/100,000)	Electronic Shutter (1/60 - 1/100,000)	Electronic Shutter (1/60 - 1/100,000)
White Balance	(not applicable)	Auto	NTSC: Auto PAL: Manual	Auto
Backlight Compensation	Auto	ON, OFF (switchable)	NTSC: Auto PAL: Manual On/Off	Auto; adjusts AGC and AES
Power Source*	12 VDC, 24 VAC	12 VDC, 24 VAC	12 VDC, 24 VAC	12 VDC, 24 VAC

\*24 VAC power is recommended when installing any Camclosure™ Integrated Camera System under fluorescent lighting conditions.

### LENS SPECIFICATIONS

	Fixed Focal Length Lenses								Varifocal Lens
	Color	B/W	Color	B/W	Color	B/W	Color	B/W	
Focal Length	2.9 mm	3.0 mm	6.0 mm		8.0 mm		12.0 mm		3.0 to 6.0 mm
Format Size	1/3-inch		1/3-inch		1/3-inch		1/3-inch		1/4-inch
Relative Aperture (F)	2.0		1.8		2.5	1.8	2.5	2.0	1.2 to 1.5
Operation	Fixed		Fixed		Fixed		Fixed		Auto (f1.2 to f300)
Iris	N/A		N/A		N/A		N/A		Manual (minimum 50 cm)
Focus	N/A		N/A		N/A		N/A		Manual
Zoom	N/A		N/A		N/A		N/A		Manual
Angle of View**									
Horizontal	90°	87°	42°	38°	32°	29°	21°		72° to 36°
Diagonal	—	—	—	—	—	—	—	—	96° to 46°
Vertical	69°	67°	33°	30°	25°	23°	17°		52° to 26°

\*\*Focal length specifications presume a 10% Horizontal and 4% Vertical monitor overscan.

### LENS PACK OPTIONS

Lens packs offer the added convenience of easily changing a camera's field of view by simply changing the lens.

The following lens packs are available for the 100, 150 and 200 Series only. All fixed focal length lenses ranging from 2.9 mm to 12 mm are interchangeable with any camera module.

#### Variety Pak 13FFD-V4PAK

Variety package of four lenses, one each 2.9 mm, 6 mm, 8 mm, and 12 mm.

#### Single Lens

13FF3D  
13FF6D  
13FF8D  
13FF12D

2.9 mm lens and mount  
6 mm lens and mount  
8 mm lens and mount  
12 mm lens and mount

#### Four Pak

13FF3D-4PAK  
13FF6D-4PAK  
13FF8D-4PAK  
13FF12D-4PAK

Package of four 2.9 mm lenses and mounts  
Package of four 6 mm lenses and mounts  
Package of four 8 mm lenses and mounts  
Package of four 12 mm lenses and mounts



## MODEL NUMBERS

### 200 SERIES SYSTEM MODELS

Camera Type	Lens/Iris	NTSC	PAL	EIA	CCIR
Color, High Resolution	2.9 mm	ICS200-CR3	ICS200-CS3	—	—
	6 mm	ICS200-CR6	ICS200-CS6	—	—
	8 mm	ICS200-CR8	ICS200-CS8	—	—
	12 mm	ICS200-CR12	ICS200-CS12	—	—
	3-6 mm with Auto Iris	ICS200-CRV3A	ICS200-CSV3A	—	—
Color, Standard Resolution	2.9 mm	ICS200-CA3	ICS200-CC3	—	—
	6 mm	ICS200-CA6	ICS200-CC6	—	—
	8 mm	ICS200-CA8	ICS200-CC8	—	—
	12 mm	ICS200-CA12	ICS200-CC12	—	—
B&W, Standard Resolution	3.0 mm	—	—	ICS200-MA3	ICS200-MC3
	6 mm	—	—	ICS200-MA6	ICS200-MC6
	8 mm	—	—	ICS200-MA8	ICS200-MC8
	12 mm	—	—	ICS200-MA12	ICS200-MC12

### OPTIONAL MOUNT

**ICS200-CM** Corner mount specifically designed for the 200 Series System. Perfect for installing the ICS200 in a tight area such as a stairwell, hallway, or elevator.



ICS200-CM TOP VIEW

ICS200-CM SIDE VIEW

### RECOMMENDED POWER SUPPLIES

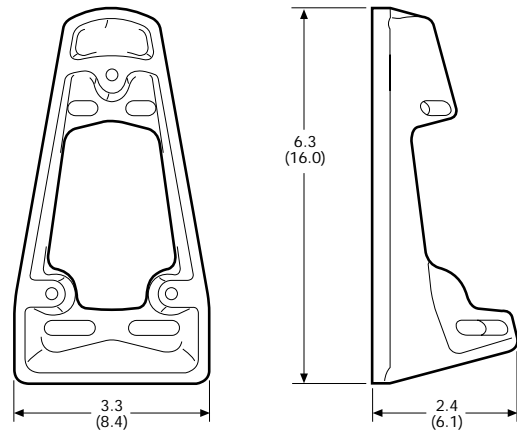
(For use with 24 VAC models only)

**TF2000** Power supply for 24 VAC cameras, 20 vA. (For single camera application.)

**MCS Series** Multiple 24 VAC camera power supply, indoor. (For multiple camera application.)  
(See C653 spec)

**MCS\*E Series** Multiple 24 VAC camera power supply, indoor. (For multiple camera application.)  
(See C655 spec)

**WCS Series** Multiple 24 VAC camera power supply, outdoor. (For multiple camera application.)  
(See C654 spec)



NOTE: VALUES IN PARENTHESES ARE CENTIMETERS;  
ALL OTHERS ARE IN INCHES.

01466

ICS200-CM DIMENSION DRAWING

Indicates change or addition since last revision.

Pelco • 3500 Pelco Way • Clovis, CA 93612-5699 • Pelco Online @ www.pelco.com  
In the US and Canada: Tel (800) 289-9100 • FAX (800) 289-9150 • DataFAX (800) 289-9108  
International Customers: Tel +1(559) 292-1981 • FAX +1(559) 348-1120 • DataFAX +1(559) 292-0435

Camclosure™ is a trademark of Pelco.  
Specifications subject to change without notice.  
©Copyright 2000, Pelco. All rights reserved.