

ICS110/150 Series Camclosure® Camera System

MINI DOME, LOWLIGHT™ DSS, HIGH RES COLOR, SURFACE AND IN-CEILING

Product Features

- Fully-Integrated Enclosure with Camera and Lens
- Rugged, High-Impact, Vandal-Resistant, Puncture-Proof Domes; Tamper-Resistant Hardware
- LowLight™ DSS Technology (Down to 0.025 lux)
- 3-9 mm Varifocal Lens
- Easy to Install; Camera Module Easy to Adjust and Remove
- Meets NEMA Type 4X and IP66 Standards
- 12 VDC or 24 VAC Operation, Autosensing
- Available with Smoked or Clear Dome
- NTSC and PAL Camera Formats
- Digital Signal Processing
- Optional Pendant Mount Adapter (ICS110)



ICS110 SERIES DOME



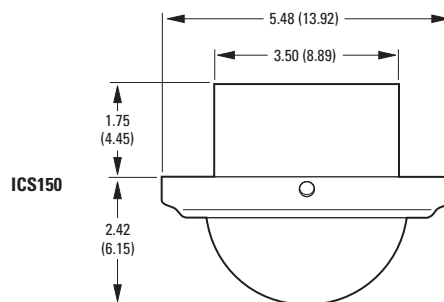
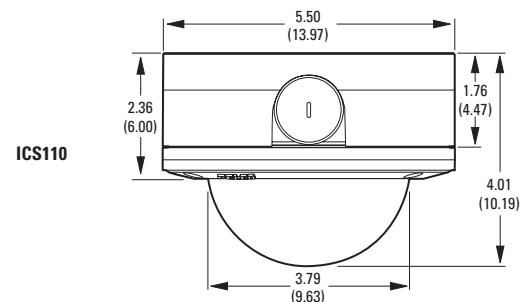
ICS150 SERIES DOME

The **ICS110/150 Series Camclosure® Integrated Camera System** includes an enclosure, with a LowLight™ DSS, high resolution color camera with auto iris, 3-9 mm varifocal lens. The LowLight color camera has extended Digital Slow Shutter (DSS) settings to enhance the low light performance of the camera by automatically adjusting the number of fields of integration.

The **ICS110 Series** versatile design allows for multiple installation options including mounting directly to a ceiling or wall, or to a 1.5-inch (3.81 mm) NPT fitting with the optional pendant mount adapter (ICS110-PG). The unit can also mount directly to a 4S electrical box using the optional adapter plate (ICS110-AP) or a standard plaster ring.

The **ICS150 Series Camclosure Integrated Camera System** is perfect for use in environmental air handling spaces. The in-ceiling dome is designed for suspended ceiling or recessed ceiling/wall installations. An adapter plate is supplied with the dome to mount the unit to a 4S electrical box or to provide additional support for suspended ceiling installations.

The lower dome is available with clear or smoked bubble. Models with a clear lower dome include a black dome liner for discreet viewing. Domes with a smoked bubble may be purchased without the camera module for preinstallation or for camera bicycling.



NOTE: VALUES IN PARENTHESES ARE CENTIMETERS; ALL OTHERS ARE INCHES



C2404 / NEW 1-07

IP66



U.S. Patents D476,025; 6,715,939 B2; 6,805,498 B2; 6,987,460 B2

International Standards Organization Registered Firm; ISO 9001 Quality System



TECHNICAL SPECIFICATIONS

MODELS

Type	Bubble	NTSC	PAL
Surface Mount	Smoked	ICS110-CDV39A	ICS110-CEV39A
	Clear	ICS111-CDV39A	ICS111-CEV39A
In-ceiling	Smoked	ICS150-CDV39A	ICS150-CEV39A
	Clear	ICS151-CDV39A	ICS151-CEV39A

GENERAL

Construction	Aluminum with steel camera mounting bracket and polycarbonate dome	
Finish	Light gray polyester powder coat	
	White polyester powder coat trim ring with charcoal gray back box	
Light Attenuation	1.5 F-stops light loss	
	Zero light loss	
Weight	Unit	Shipping
	ICS110	2.20 lb (1.00 kg)
ICS150	1.70 lb (0.77 kg)	3.0 lb (1.36 kg)

ELECTRICAL

Input Voltage*	12 VDC or 24 VAC ($\pm 10\%$), autosensing
Power Consumption	
Camera	Less than 3 W
Heaters	10 W when active; thermostatically controlled

MECHANICAL

Cable Entry (ICS110)	One 0.75-inch (1.91 cm) NPT threaded opening on side; two 0.75-inch (1.91 cm) openings on base
Pan/Tilt Adjustment	Manual
Pan/Tilt/Rotation	360°/180°/360°

VIDEO

Signal System	NTSC or PAL
Video Connectors	1 composite BNC
Camera	Color LowLight DSS high resolution
Imaging Device	1/3-inch Interline Color CCD
Scanning System	2:1 Interlace
Sync System	Adjustable AC line lock/internal, auto select
Horizontal Resolution	480 TV lines (NTSC/PAL)
Signal-to-Noise Ratio	50 dB
Minimum Illumination	0.75 lux @ 40 IRE DSS Off, @ F1.6, wide angle
	1.20 lux @ 50 IRE DSS Off, @ F1.6, wide angle
	0.025 lux @ 40 IRE, 30 fields of DSS, @ F1.6, wide angle
	0.040 lux @ 50 IRE, 30 fields of DSS, @ F1.6, wide angle
Video Out	Composite: 1 Vp-p (75 ohms)
Gain Control	Auto/manual by DIP switch
Exposure	Automatic control with DC iris meter (1/60 - 1/100,000)
White Balance	Auto
Backlight Compensation	ON/OFF (switch selectable)

LENS

Focal Length	3.0 mm ~ 9.0 mm
Format Size	1/3-inch
Relative Aperture (F)	1.2 to 2.1
Operation	
Iris	Auto
Focus	Manual
Zoom	Manual
Angle of View*	
Horizontal	84° to 31.2°
Diagonal	106.9° to 23.1°
Vertical	60.8° to 23.1°

*24 VAC power is recommended when installing any Camclosure Integrated Camera System under fluorescent lighting conditions.

ENVIRONMENTAL

Environment	Low temperature, indoor/outdoor
Operating Temperature	-50° to 122°F (-46° to 50°C); de-ices to 25°F (-4°C)
Thermostat Operation	Heater is thermostatically controlled to activate on at 50°F (10°C) and off at 80°F (27°C)

RECOMMENDED POWER SUPPLIES

(For use with 24 VAC models only)

TF2000	Power supply for one 24 VAC camera, 20 VA
MCS Series	Multiple 24 VAC camera power supply, indoor
MCS*E Series	Multiple 24 VAC camera power supply, indoor
WCS Series	Single/multiple 24 VAC camera power supply, outdoor

OPTIONAL ACCESSORIES

ICS110-AP	Adapter plate for a 4S electrical box for ICS110 Series
ICS110-PG	Pendant mount adapter for ICS110 Series
ICS150-P	2 x 2 ft (61 x 61 cm) metal ceiling panel for ICS150 Series in-ceiling dome
ICS110-BV	Breather vent to prevent condensation from forming inside the unit (ICS110 only)
SWM Series	Compact wall mount with cable feedthrough; requires ICS110-PG adapter (ICS110 only)

CERTIFICATIONS/RATINGS/PATENTS

- CE and FCC, Class B
- UL Listed
- UL Listed to Canadian safety standards
- Meets NEMA Type 4X and IP66 standards
- Tested in accordance with MIL-STD 810E as follows:
 - Shock test; Section 516.4
 - Humidity test; Sections 520.1 and 507.3
 - Vibration test; Section 514.4
- ASTM Shipping Standard
- ISTA Shipping Standard

All tests are performed in accordance with ISO Guide 25 and ANSI/NCSL Z540-1.

- U.S. Patents D476,025; 6,715,939 B2; 6,805,498 B2; 6,987,460 B2



Pelco, Inc. Worldwide Headquarters:

3500 Pelco Way, Clovis, California 93612-5699 USA
USA & Canada Tel: (800) 289-9100 • FAX: (800) 289-9150
International Tel: +1 (559) 292-1981 • FAX: +1 (559) 348-1120
www.pelco.com

Pelco, the Pelco logo, and Camclosure are registered trademarks of Pelco, Inc.
 LowLight is a trademark of Pelco, Inc.
 Product specifications and availability subject to change without notice.
 ©Copyright 2007, Pelco, Inc. All rights reserved.