

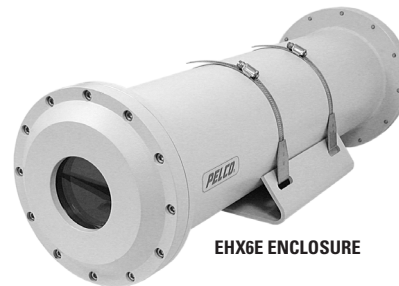


EHX*E Series Enclosure

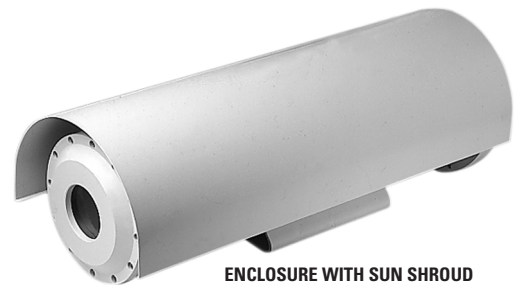
SPECIALTY, OUTDOOR, EXPLOSIONPROOF

Product Features

- Aluminum Construction
- Adjustable Mounting Cradle
- Available in 4-inch (10.16 cm), 6-inch (15.24 cm) and 8-inch (20.32 cm) Diameters
- For use in a Variety of Harsh and/or Hazardous Environments, including Marine Environments
- Meets NEMA Type 4X and IP66 Standards
- Use with Fixed Mount or Explosionproof Pan/Tilt



EHX6E ENCLOSURE



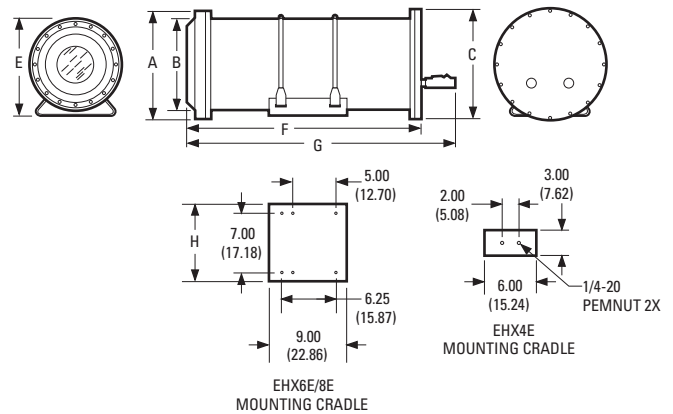
ENCLOSURE WITH SUN SHROUD

The **EHX*E Series** explosionproof camera enclosures are used in explosive and hazardous atmospheres throughout the world. They are designed to meet the rigorous requirements of explosionproof and dust-ignitionproof electrical equipment for installation and use in hazardous locations. These enclosures are also waterproof and dust tight.

Constructed of aluminum, enclosures in this series are available in 4-inch (10.16 cm), 6-inch (15.24 cm), and 8-inch (20.32 cm) diameters to accommodate most camera and lens combinations. A unique camera mounting sled and track assembly allows fast, easy positioning of the camera and lens and can be securely locked in place.

Field-installed accessories include optional heater, blower and sun shroud.

You can use the **EHX*E Series** in fixed mount applications or with Pelco's PT1260EX Series explosion-proof pan/tilt.



DIM	EHX4E	EHX6E-16	EHX6E	EHX8E
A	Ø7.00 (17.78)	Ø8.00 (20.32)	Ø8.00 (20.32)	Ø10.13 (25.72)
B	Ø4.50 (11.43)	Ø6.63 (16.83)	Ø6.63 (16.83)	Ø8.63 (21.92)
C	Ø7.00 (17.78)	Ø8.75 (22.23)	Ø8.75 (22.23)	Ø13.00 (33.02)
D	Ø3.19 (8.10)	Ø3.00 (7.62)	Ø3.00 (7.62)	Ø4.25 (10.80)
E	6.75 (17.15)	7.85 (19.94)	7.85 (19.94)	9.65 (24.51)
F	14.25 (36.20)	18.70 (47.50)	26.70 (67.82)	26.67 (67.74)
G	18.25 (46.36)	22.70 (57.66)	30.70 (77.98)	30.67 (77.90)
H	N/A	8.57 (21.77)	8.57 (21.77)	9.12 (23.16)

NOTE: VALUES IN PARENTHESES ARE CENTIMETERS; ALL OTHERS ARE INCHES.



DataFAX
SPEC: 2417
MANUAL: 24176

C417 / REVISED 8-03

IP66



International Organization
for Standardization;
Registered ISO 9001



TECHNICAL SPECIFICATIONS

MODELS

EHX4E	Explosionproof enclosure, 4" diameter x 12" L (10.16 cm x 30.48 cm)
EHX6E	Explosionproof enclosure, 6" diameter x 24" L (15.24 cm x 60.96 cm)
EHX6E-16	Same as EHX6 except 16" L (40.64 cm)
EHX8E	Explosionproof enclosure, 8" diameter x 24" L (20.32 cm x 60.96 cm)

MECHANICAL

Cable Entry	2 explosionproof sealable fittings (supplied); 0.50-inch (1.27 cm) maximum inside diameter; pipe plug supplied for possible unused gland in rear plate
Front Window	Fully tempered plate glass
EHX4E	4.25" (10.80 cm) diameter, 0.475" (1.21 cm) thick
EHX6E/EHX6E-16	4.50" (11.43 cm) diameter, 0.50" (1.27 cm) thick
EHX8E	5.75" (14.92 cm) diameter, 0.50" (1.27 cm) thick
Camera Mounting	Adjustable sled
Maximum Camera and Lens Size*	<i>(Without Blower or Heater)</i>
EHX4E	1.75" H x 3.375" W x 12.00" L (4.45 x 8.57 x 30.48 cm)
EHX6E	12.0" L x 3.0" diameter (30.48 x 7.62 cm) 3.75" H x 4.375" W x 24.00" L (9.53 x 11.11 x 60.96 cm)
EHX6E-16	24.0" L x 5.0" diameter (60.96 x 12.70 cm) 3.75" H x 4.375" W x 16.00" L (9.53 x 11.11 x 40.64 cm)
EHX8E	16.0" L x 5.0" diameter (40.64 x 12.70 cm) 5.75" H x 5.125" W x 24.00" L (14.60 x 13.02 x 60.96 cm) 24.0" L x 7.3" diameter (60.96 x 18.54 cm)
EHX4E (only)	<i>(With Heater Only)</i> 1.75" H x 3.375" W x 10.375" L (4.45 x 8.57 x 26.35 cm) 10.38" L x 3.00" diameter (26.36 x 7.62 cm)
EHX4E	<i>(With Blower Only or Blower and Heater)</i> 1.75" H x 3.375" W x 9.00" L (4.45 x 8.57 x 22.86 cm) 9.0" L x 3.0" diameter (22.86 x 7.62 cm)
EHX6E	3.75" H x 4.375" W x 22.25" L (9.53 x 11.11 x 56.52 cm) 22.25" L x 5.00" diameter (56.52 x 12.70 cm)
EHX6E-16	3.75" H x 4.375" W x 14.25" L (9.53 x 11.11 x 36.20 cm) 14.25" L x 5.00" diameter (36.20 x 12.70 cm)
EHX8E	5.75" H x 5.125" W x 22.25" L (14.60 x 13.02 x 56.52 cm) 22.25" L x 7.30" diameter (56.52 x 18.54 cm)

*Assumes lens is fully extended.

GENERAL

Construction	Aluminum, pipe 6061T6	
Dimensions	See dimension drawing on front page	
Weight	<u>Unit</u>	<u>Shipping</u>
EHX4E	15 lb (6.79 kg)	19 lb (8.60 kg)
EHX6E	31 lb (14.04 kg)	36 lb (16.30 kg)
EHX6E-16	27 lb (12.23 kg)	32 lb (14.49 kg)
EHX8E	45 lb (20.41 kg)	53 lb (24.04 kg)

CERTIFICATIONS/RATINGS

- CE
- UL/cUL
- Classified by Underwriters Laboratories Inc. as to explosion and fire hazard only
- Type 4X enclosure for use in hazardous locations
- Class I, Groups C and D – Class II, Groups E, F, and G
- Class I, Zone 1, AEx d IIB, Ex d IIB
- ATEX
- ⓓ 03 ATEX 0318166U
- 0035 Ⓢ II 2 G EEx d IIB
- Ⓢ II 2 D, IP 66
- Suitable for marine outside (saltwater) use, for vessels over 65 feet in length

OPTIONAL ACCESSORIES

Blower Kit	BKX4000	Continuous duty blower kit for EHX4E only, 10 cfm, 120 VAC, 3.8 W at 60 Hz
	BKX4024	Same as BKX4000 except 19.4 cfm, 24 VDC (AC rectified), 1.92 W
	BKX6000	Continuous duty blower kit for EHX6E and EHX8E, 10 cfm, 120 VAC, 3.8 W at 60 Hz
	BKX6000/220	Same as BKX6000 except 8 cfm, 230 VAC, 9.6 W at 50 Hz
	BKX6024	Same as BKX6000 except 19.4 cfm, 24 VDC (AC rectified), 1.92 W
Heater Kit	HKX4-1*	Heater kit for EHX4E only, 120 VAC, 40 W
	HKX4-2*	Same as HKX4-1 except 24 VAC
	HKX4-3*	Same as HKX4-1 except 230 VAC, 80 W
	HKX6-1*	Heater kit for EHX6E only, 120 VAC, 80 W
	HKX6-2*	Same as HKX6-1 except 24 VAC
	HKX6-3*	Same as HKX6-1 except 230 VAC
	HKX8/10-1*	Heater kit for EHX8E only, 120 VAC, 107 W
	HKX8/10-2*	Same as HKX8-1 except 24 VAC
	HKX8/10-3*	Same as HKX8-1 except 230 VAC
Sun Shroud	SSEHX4E	Sun shroud for EHX4E only
	SSEHX6E	Sun shroud for EHX6E only
	SSEHX6E-16	Sun shroud for EHX6E-16 only
	SSEHX8E	Sun shroud for EHX8E only
Other	EHX*EORKIT	O-ring kit for EHX*E Series. Consult factory for applicable model numbers

*Heaters activate on at 40°F (4°C) and off at 60°F (15°C)

RECOMMENDED MOUNTS

EHX4E	EM1109, EM2000, EM2200	Medium duty mount for horizontal/vertical pipe or pole; maximum load 40 lb (18.1 kg)
	EM22	Medium duty wall mount; maximum load 40 lb (18.1 kg)
	MM22	Medium duty ceiling/pedestal mount; maximum load 40 lb (18.1 kg)
EHX6E/EHX8E	PM2000, PM2010**	Pedestal/ceiling mount; maximum load 125 lb (56.62 kg)
	WM2000**	Wall mount; maximum load 75 lb (34 kg); increased to 150 lb (68 kg) when used with ST1 strut
	WM3026	Heavy duty wall mount with adjustable head; maximum load 300 lb (136 kg)
Adapters	AH2000	Adjustable head
	STI	Support strut

**Use with AH2000 adjustable head.

RECOMMENDED PAN/TILT

PT1260EX Series	Heavy duty explosionproof pan/tilt; maximum load 100 lb (45.4 kg).
-----------------	--



Pelco Worldwide Headquarters:

3500 Pelco Way, Clovis, California 93612-5699 USA

USA & Canada Tel: (800) 289-9100 • FAX (800) 289-9150 • DataFAX (800) 289-9108

International Tel: (559) 292-1981 • FAX (559) 348-1120 • DataFAX (559) 292-0435

www.pelco.com

Specifications subject to change without notice.
©Copyright 2003, Pelco. All rights reserved.