



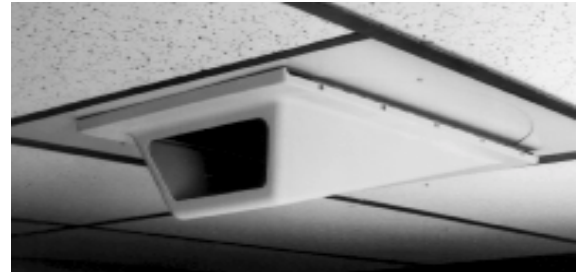
PRODUCT SPECIFICATION

EH1000 Enclosure INDOOR, IN-CEILING, FOR SINGLE CAMERA



Product Features

- Low Profile, Medium "Wedge" Style
- Tamper-Resistant
- Designed for Use with 2/3-inch Format Cameras
- Can Be Installed in Fixed or Dropped (False) Ceilings
- Hinged Door Opens for Convenient Access to Camera



EH1000 MOUNTED IN DROPPED CEILING
USING E1003 MOUNTING PLATE

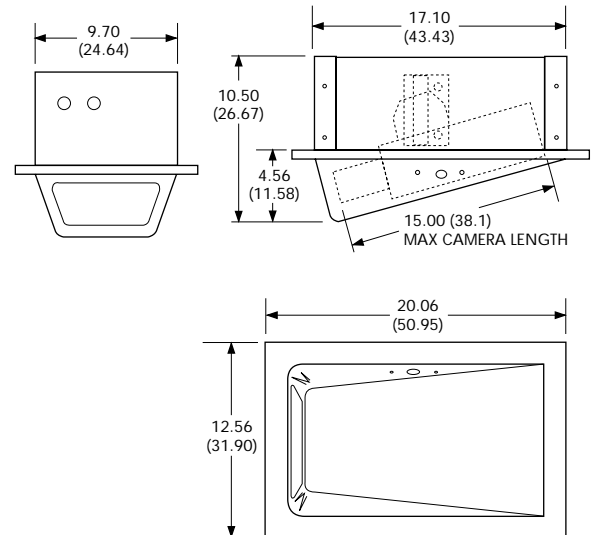
The **EH1000** is a low-profile ceiling enclosure for use with 2/3-inch format cameras. The unobtrusive, streamlined design compliments any business or office decor.

The **EH1000** is designed for use in fixed or dropped (false) ceiling and has a riveted back box constructed of aluminum.

An optional rotating mounting plate (**E1003**) is available for dropped ceiling applications. The **E1003** is easily rotated in 10 degree increments and features a locking capability to secure enclosure positioning.

The **EH1000** is engineered for ease of installation and service. The lower section is hinged to provide convenient access for camera and lens adjustments. The upper section has generous interior dimensions, allowing for additional camera angle adjustments. The enclosure is equipped with a tamper-resistant lock for security protection. Cable entry is through conduit knockouts.

The **EH1000** and **E1003** are manufactured with a white textured finish to provide a more unobtrusive appearance.



NOTE: VALUES IN PARENTHESES ARE CENTIMETERS;
ALL OTHERS ARE IN INCHES.

ENCLOSURES

INDOOR



International Standards Organization Registered Firm ISO 9001 Quality System



TECHNICAL SPECIFICATIONS

MODEL

EH1000 Low profile ceiling enclosure for use with single 2/3-inch format camera

MECHANICAL

Camera Mounting Adjustable bracket capable of supporting a maximum of 10 lb (4.53 kg)

Maximum Camera and Lens Size Accepts camera and lens combinations (including BNC connector) up to:
4.50" H x 6.50" W x 15.00" L (11.43 x 16.51 x 38.10 cm)

Ceiling Mounting Upper section flange-mounted to fixed ceiling or E1003 rotating mounting plate for false ceilings

Cable Entry Conduit knockouts on upper back box; two on each end

Lock Key lock

GENERAL

Construction
Upper section 5052H32 aluminum
Lower section Vacuum-formed ABS plastic
Viewing Window Lucite® SAR (Super Abrasion Resistant) acrylic

Color
Upper section Alodine
Lower section White textured

Environment Indoor;
32° to 120°F (0° to 48.89°C)

Unit Weight
EH1000 5.16 lb (2.34 kg)
E1003 3.1 lb (1.41 kg)

Shipping Weight
EH1000 8 lb (3.6 kg)
E1003 5 lb (2.25 kg)

CERTIFICATIONS/RATINGS

◆ UL listed to Standard 2044
◆ NEMA 1

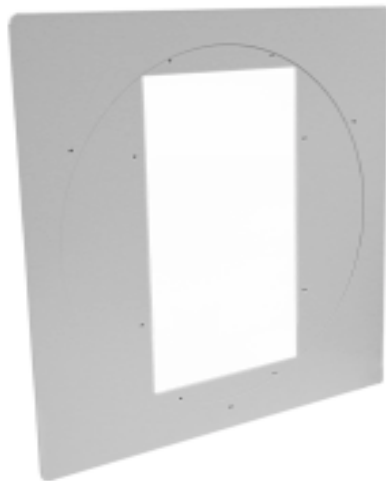
OPTIONAL ACCESSORIES

E1003 360° rotating mounting plate; rotates in 10° increments and features "locking" capability to secure enclosure positioning. Replaces 2-ft x 2-ft (60.96 cm x 60.96 cm) ceiling tile; can be used in 2-ft x 4-ft (60.96 cm x 121.92 cm) ceiling tile with additional "T" rail for support. Constructed of aluminum with textured white polyester powder coat finish

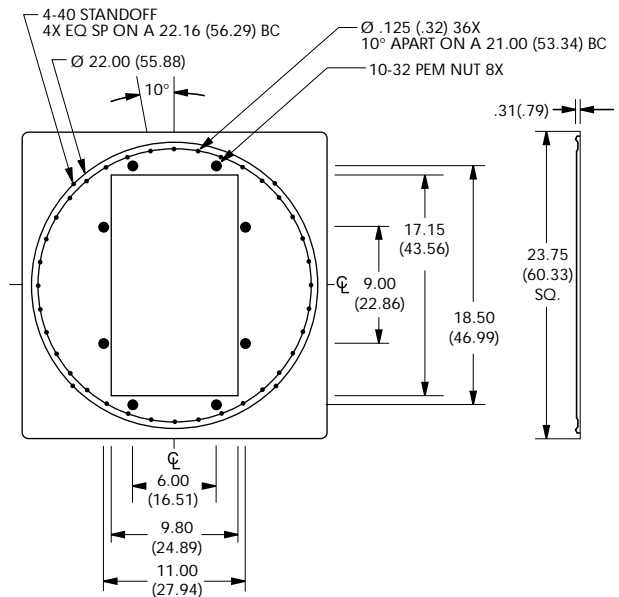
EH664004COMP Replacement lock with two keys

ENCLOSURES

INDOOR



E1003 ROTATING MOUNTING PLATE



NOTE: VALUES IN PARENTHESES ARE CENTIMETERS; ALL OTHERS ARE IN INCHES.

E1003 DIMENSION DRAWING

Indicates change or addition since last revision.

Pelco • 3500 Pelco Way • Clovis, CA 93612-5699 • Pelco Online @ www.pelco.com
In the US and Canada: Tel (800) 289-9100 • FAX (800) 289-9150 • DataFAX (800) 289-9108
International Customers: Tel +1(559) 292-1981 • FAX +1(559) 348-1120 • DataFAX +1(559) 292-0435

Lucite® is a registered trademark of DuPont. Specifications subject to change without notice. ©Copyright 2000, Pelco. All rights reserved.