



DF5 Series Fixed Mount Dome

5-INCH, INDOOR/OUTDOOR, CEILING/PENDANT, STANDARD/HEAVY-DUTY

Product Features

- 5.9-Inch Acrylic Bubble
- Plenum-Rated Back Box
- Cosmetically Matches Spectra® Dome
- Indoor and Environmental Models Available
- Hard Ceiling and Suspended Ceiling Applications
- Versatile and Adjustable Fixed Camera Mount Bracket
- Environmentally Sealed and Weatherized Pendant Models Available for Use in Temperatures to -60°F (-51°C)
- Pendant Models Meet NEMA Type 4X, IP66 Standards
- Heavy-Duty Models
 - Tough, Reinforced Construction
 - 0.090-Inch Injection-Molded Polycarbonate Bubble
 - Barrel-Type Key Locks



PENDANT MODEL DF5-PG-0
(SHOWN WITH SWM-GY WALL MOUNT)



HEAVY-DUTY IN-CEILING MODEL
DF5HD-1

Pelco's **DF5 Series** is a low profile, fixed mount, dome for in-ceiling or pendant applications. The dome is easy to install and features a versatile fixed camera mount that allows for 360 degree camera positioning. Standard and tamper/impact-resistant (heavy-duty) models are available. Heavy-duty models are ideal for installations where structural integrity and resistance to vandalism are a priority.

DF5 Series in-ceiling models are available with a standard (DF5), shortened (DF5S), or heavy-duty (DF5HD) back box. The standard and shortened back box models can be installed in a hard ceiling or standard suspended ceiling. The shortened back box version can also be mounted directly to a hard ceiling using an optional bezel to conceal the back box for a seamless installation. The heavy-duty model should only be installed in a fixed ceiling to optimize the integrity of the vandal-resistant design.

The **DF5 Series** pendant models mount directly to any recommended mount, flush to a ceiling, or to 1.5-inch NPT female threaded pipe and

are available for indoor and environmental applications. All environmental versions include a sun shield and heater kit and are suitable for use in temperatures to -60°F (-51°C). Heavy-duty pendant models (DF5HD-PG) are strengthened by a thicker sun shroud and dual wall construction.

A variety of lower domes are available for this series. Standard and shortened back box models are equipped with an acrylic bubble; available colors include smoked, clear, chrome, or gold. The standard back box is also available with a flat acrylic window for use in applications where overhead space is minimal. Flat window colors are clear or smoked. All heavy-duty domes feature a clear polycarbonate bubble, 0.090-inch thick, which provides an optimum combination of strength and optical clarity.

DF5 Series options include an aluminum ceiling panel (SD5-P) for suspended ceiling applications, a pendant conduit adapter (BB5-PCA-BK or BB5-PCA-GY), and dome liner kit (DF5LINERKIT).



DataFAX

SPEC: 21458

MANUAL: 214586 (DF5), 214756 (DF5S), 214816 (DF5-0F/-1F), 224326 (DF5HD)

C1458 / REVISED 10-03

IP66



International Organization
for Standardization;
Registered ISO 9001



TECHNICAL SPECIFICATIONS, IN-CEILING DOMES

MECHANICAL

Cable Entry 0.75-inch conduit fitting

GENERAL

Maximum Camera and Lens Size

DF5, DF5S, and DF5HD (Including BNC connector)*
5.00" L x 2.75" W x 2.75" H
(12.70 x 6.99 x 6.99 cm)

DF5-0F/DF5-1F (Including mini BNC connector)
4.5" L x 2.75" W x 2.75" H
(11.43 x 6.99 x 6.99 cm)

Construction

Back Box Aluminum
Mounting Bracket Steel

Bubble

DF5 and DF5S Acrylic (smoked, clear, chrome or gold)
DF5HD Series Clear polycarbonate bubble, 0.090-inch thick
DF5-0F Smoked acrylic flat window, 0.06-inch thick
DF5-1F Clear acrylic flat window, 0.06-inch thick

Unit Weight

DF5 Series 2.80 lb (1.27 kg)
DF5S Series 2.65 lb (1.20 kg)
DF5HD Series 3.77 lb (1.71 kg)
DF5-0F/DF5-1F 2.65 lb (1.20 kg)

Shipping Weight

DF5 Series 6.0 lb (2.72 kg)
DF5S Series 5.0 lb (2.27 kg)
DF5HD Series 7.0 lb (3.18 kg)
DF5-0F/DF5-1F 6.0 lb (2.72 kg)

*Assumes lens is fully extended.

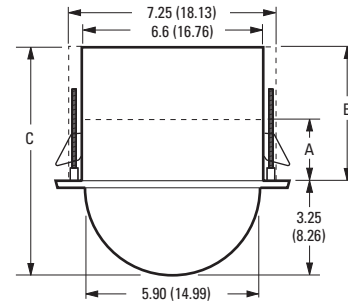
ENVIRONMENTAL

Environment Indoor only
Operating Temperature 32° to 122°F (0° to 50°C)

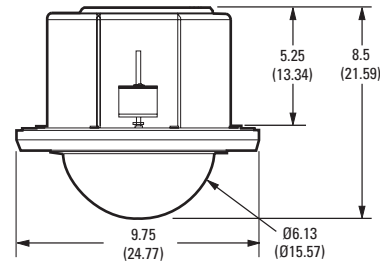
CERTIFICATIONS/RATINGS

- UL Listed
- UL Listed to Canadian safety standards
- Meets NEMA Type 1 and IP20 standards

LETTER	MODEL	DIMENSION
A	DF5S SERIES	2.75 (6.99)
B	DF5 SERIES	5.25 (13.34)
C	DF5-0F/DF5-1F	5.60 (14.22)



STANDARD IN-CEILING DOME



HEAVY-DUTY IN-CEILING DOME

NOTE: VALUES IN PARENTHESES ARE CENTIMETERS; ALL OTHERS ARE INCHES.

TECHNICAL SPECIFICATIONS, PENDANT DOMES

MECHANICAL

Cable Entry Through 1.5-inch NPT pendant mount

ELECTRICAL

Input Voltage 24 VAC (environmental models only)
 Input Power 62 VA (for heater)

GENERAL

Maximum Camera and Lens Size (Including BNC connector)*
 5.00" L x 2.75" W x 2.75" H
 (12.70 x 6.99 x 6.99 cm)

Construction	
Back Box	Aluminum
Mounting Bracket	Steel
Bubble	
DF5-PG Series	Acrylic (smoked, clear, chrome or gold)
DF5HD-PG Series	Clear polycarbonate, 0.090-inch thick
Unit Weight	
DF5-PG Series	
Indoor	4.23 lb (1.93 kg)
Outdoor	5.75 lb (2.61 kg)
DF5HD-PG Series	
Indoor	6.28 lb (2.85 kg)
Outdoor	6.58 lb (2.98 kg)
Shipping Weight	
DF5-PG Series	
Indoor	8.0 lb (3.63 kg)
Outdoor	10.0 lb (4.54 kg)
DF5HD-PG Series	
Indoor	13.0 lb (5.90 kg)
Outdoor	14.0 lb (6.35 kg)

*Assumes lens is fully extended.

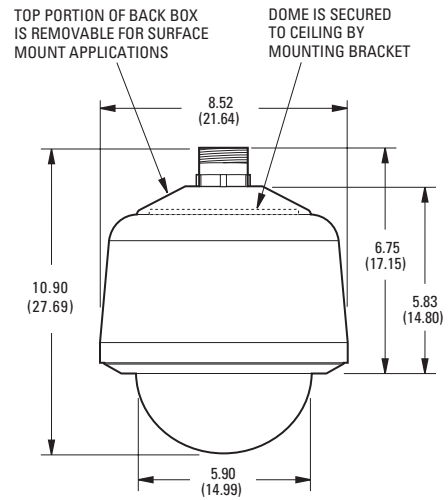
ENVIRONMENTAL

Environment	Indoor or outdoor (model dependent)
Operating Temperature	
Indoor	32° to 122°F (0° to 50°C)
Outdoor**	-60° to 122°F (-51° to 50°C) continuous operation -50° to 122°F (-45° to 50°C) continuous operation; prevents icing -40° to 122°F (-40° to 50°C) continuous operation; de-ices (within 3 hours) after power-up

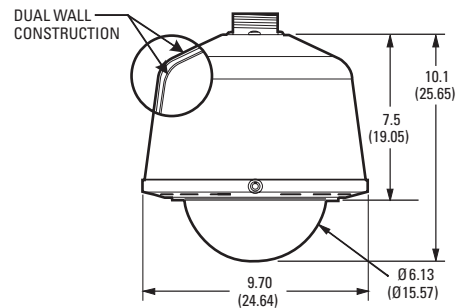
**Assumes no wind chill factor.

CERTIFICATIONS

- UL Listed
- UL Listed to Canadian safety standards
- Meets NEMA Type 4 and IP66 standards



STANDARD PENDANT DOME



HEAVY-DUTY PENDANT DOME

NOTE: VALUES IN PARENTHESES ARE CENTIMETERS; ALL OTHERS ARE INCHES.

TECHNICAL SPECIFICATIONS

MODELS



DF5 SERIES



DF5-0F



DF5S SERIES



**DF5-PG-0
(SHOWN WITH
SWM-GY
WALL MOUNT)**

Model	In-Ceiling	Surface Mount	Pendant	Indoor	Outdoor	Standard Back Box	Heavy-duty Back Box	Shortened Back Box	Standard Bubble	Heavy-duty Bubble	Flat Window	Heater	Sun Shield	Color	Bubble				Bubble Attributes
															Smoked	Clear	Chrome	Gold	
DF5-0	•			•		•			•						•				1/2 f-stop light loss
DF5-1*	•			•		•			•							•			Virtually no light loss
DF5HD-1	•			•			•			•						•			
DF5-2	•			•		•			•								•		2 f-stop light loss
DF5-3	•			•		•			•								•		2 f-stop light loss
DF5-0F	•			•		•					•				•				1/2 f-stop light loss
DF5-1F	•			•		•					•					•			Virtually no light loss (includes opaque liner)
DF5S-0	•	•**		•				•	•						•				1/2 f-stop light loss
DF5S-1	•	•**		•				•	•							•			Virtually no light loss (includes opaque liner)
DF5S-2	•	•**		•				•	•								•		2 f-stop light loss
DF5S-3	•	•**		•				•	•								•		2 f-stop light loss
DF5-PB-0				•	•				•					Black	•				1/2 f-stop light loss
DF5-PB-1				•	•				•					Black		•			Virtually no light loss (liner not included)
DF5-PB-2				•	•				•					Black			•		2 f-stop light loss
DF5-PB-3				•	•				•					Black			•		2 f-stop light loss
DF5-PG-0				•	•				•					Gray	•				1/2 f-stop light loss
DF5-PG-1				•	•				•					Gray		•			Virtually no light loss
DF5HD-PG-1				•	•		•			•				Gray		•			(liner not included)
DF5-PG-2				•	•				•					Gray			•		2 f-stop light loss
DF5-PG-3				•	•				•					Gray			•		2 f-stop light loss
DF5-PG-E0				•	•				•			•	•	Gray	•				1/2 f-stop light loss
DF5-PG-E1				•	•				•			•	•	Gray		•			Virtually no light loss
DF5HD-PG-E1				•	•		•		•	•				Gray		•			(liner not included)

Note: DomePak® models with factory-installed and back-focused camera and lens packages are available. Please refer to the DF5 Series Selection Guide or DF5 Series DomePak® specification sheet for available models.

*DF5-1 includes opaque liner.

**Requires DF5S-SMKIT.

RECOMMENDED MOUNTS

IN-CEILING DOMES

DF5S-SMKIT

Surface mount adapter kit for DF5S Series with short back box. Includes bezel and hardware.



SCA1

Support rails; for use in suspended ceiling applications where additional support is needed.

SD5-P

2' x 2' (61 x 61 cm) drop ceiling panel, aluminum construction. Replaces 2' x 2' ceiling tile

PENDANT DOMES

IWM Series

Wall mount with cable feedthrough. Can be adapted for corner, parapet or pole applications.

PP4348

Parapet mount

PP350/PP351

Parapet mount

SWM Series

Compact wall mount. Can be adapted for corner or pole applications.

RECOMMENDED POWER SUPPLIES

MCS Series

WCS Series

Multiple 24 VAC camera power supply, indoor
Single/multiple 24 VAC camera power supply, outdoor

OPTIONAL ACCESSORIES

BB5-PCA-BK

Pendant conduit adapter, black

BB5-PCA-GY

Pendant conduit adapter, gray

DF5LINERKIT

Slotted liner kit. Can be added to any dome. (Included with clear in-ceiling domes only.)

SD5-SS

Sun shield, gray



Pelco Worldwide Headquarters:

3500 Pelco Way, Clovis, California 93612-5699 USA

USA & Canada Tel: (800) 289-9100 • FAX (800) 289-9150 • DataFAX (800) 289-9108

International Tel: (559) 292-1981 • FAX (559) 348-1120 • DataFAX (559) 292-0435

www.pelco.com

DomePak® and Spectra® are registered trademarks of Pelco.

Specifications subject to change without notice.

©Copyright 2003, Pelco. All rights reserved.