

CC3700H-2 Series Digital CCD Color Camera

1/3-INCH, HIGH RESOLUTION, 480 TVL (NTSC/PAL)

Product Features

- Sony SuperHAD™ Technology
- Compact Body Style, Shorter Length Than Most Full-Featured CCD Cameras
- 1/3-Inch Format CCD Imager
- C/CS Lens Mount
- DC/Video Drive Auto Iris Lens Compatibility
- 24V AC/DC Power
- Line Lock With Phase Adjust
- Four White Balance Modes
- Automatic Gain Control (AGC)
- Selectable Gamma
- Backlight Compensation
- Electronic Iris
- Horizontal Resolution of 480 TV Lines
- Digital Signal Processing
- Removable Low Profile Top/Bottom Mount
- Optional Integral Feedthrough Mount



(REAR COVER REMOVED)



CAMERA MOUNTED ON
PCM100 CAMERA MOUNT

(LENS & MOUNT NOT SUPPLIED WITH CAMERA)

The **CC3700H-2 Series** digital color camera is smaller than most other full-featured CCD cameras. In order to keep the camera as small as possible, Pelco engineers designed the camera components to fit within the external dimensions of the unit. Since the BNC, power and lens connectors stay within the boundaries of the case the compact camera and a lens fit perfectly inside one of Pelco's smaller enclosures (EH100, EH3508, EH2508, EH2020, EH2100 and EH2200). Pelco also has a wide selection of fixed and varifocal lenses available for the **CC3700H-2 Series** to meet your installation requirements.

The **CC3700H-2 Series** is a high-resolution digital camera with 480 TV lines. The camera features color balance settings, gamma level adjustment, automatic gain control, digital signal processing for automatic backlight compensation and line lock. To adjust one of the camera's many fine-tuning features just reset the corresponding DIP switch, readily available on the left side of the camera.

The **CC3700H-2 Series** digital camera also includes a 1/3-inch imager, accepts DC and video drive auto iris lenses, and has adjustable back focus to accommodate C or CS lenses. Back focus adjustment is easy with the lockable thumb wheel, accessible from the top or bottom of the camera.

The **CC3700H-2 Series** digital camera is quick and easy to install and its distinctive design is ideal for use in confined spaces. The camera has a quick-connect power connection, BNC video connector, and a removable mount adapter for top or bottom mounting.

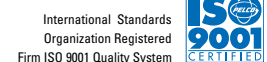
Accessories include the PCM100, a Pelco camera mount designed specifically for the **CC3700H-2 Series**. This adjustable, well-designed mount has no exposed cabling or hardware. All cable is integrated in the unit making installation quick and easy. The PCM100 can be installed directly to a wall, ceiling or adapted to a standard 2 x 4-inch (5.08 cm x 10.16 cm) electrical box.



DataFAX
SPEC: 21989
MANUAL: 219896
C1989 / NEW 6-02



U.S. Patent D-460,773



International Standards
Organization Registered
Firm ISO 9001 Quality System

TECHNICAL SPECIFICATIONS

MODELS

CC3700H-2	1/3-inch high resolution digital color CCD camera, 480 TVL, NTSC format
CC3700H-2X	Same as CC3700H-2 except PAL format

GENERAL

Imaging Device	1/3-inch interline transfer CCD
Picture Elements	
CC3700H-2	768 (H) x 494 (V)
CC3700H-2X	752 (H) x 582 (V)
Sensing Area	
CC3700H-2	6mm diagonal
CC3700H-2X	6.3mm (H) x 4.7mm (V)
Scanning System	
CC3700H-2	525 lines, 2:1 interlace
CC3700H-2X	625 lines, 2:1 interlace
Synchronize System	AC Line lock/internal
Horizontal Resolution	480 TV lines
Iris Control	Electronic/passive
Minimum Illumination	0.7 lux @ 50 IRE, f1.2 with 80% scene reflection
Signal-to-Noise Ratio	52 dB (AGC Off)
Gain Control	Automatic
Vertical Phase	Adjustable 0° ±120°
Automatic Gain Control	Selectable by DIP switch setting
Backlight Compensation	Selectable by DIP switch setting
Signal Processing	DSP
Auto Iris Lens Type	DC/video control
Video Output	1 Vp-p, 75 ohms
Iris Control Range	1/60-1/100,000 second
Auto White Balance Range	2500-9500 K

ELECTRICAL

Power Requirements	14-30 VAC or 11-40 VDC
Power Consumption	Less than 6.5 watts
Power Connector	2-pin terminal strip, push-in type with screw lock
Video Connector	BNC
Lens Jack	4-pin connector (miniature square)

MECHANICAL

Lens Mount	C/CS mount (adjustable)
Camera Mount	1/4-inch UNC-20 screw, top and bottom of camera housing

ENVIRONMENTAL

Operating Temperature	14° to 122°F (-10° to +50°C)
Storage Temperature	14° to 158°F (-10° to +70° C)

PHYSICAL

Weight (without lens)	0.77 lb (0.35 kg)
Shipping Weight	2 lb (.9 kg) approximate

CERTIFICATIONS/PATENTS

- CE, Class B
- UL Listed
- UL Listed to Canadian safety standards
- FCC, Class B
- U.S. Patent D-460,773

RECOMMENDED MOUNTS

BS1750/CM1750/ CM1750S/TB1750	Adjustable swivel head camera mounts for wall, ceiling or pedestal mounting.
PCM100	Adjustable camera mount for wall or ceiling application. Includes integrated cable for easy plug-n-play operation. Can also be adapted to a standard 2 x 4-inch (5.08 cm x 10.16 cm) electrical box.

RECOMMENDED POWER SUPPLIES

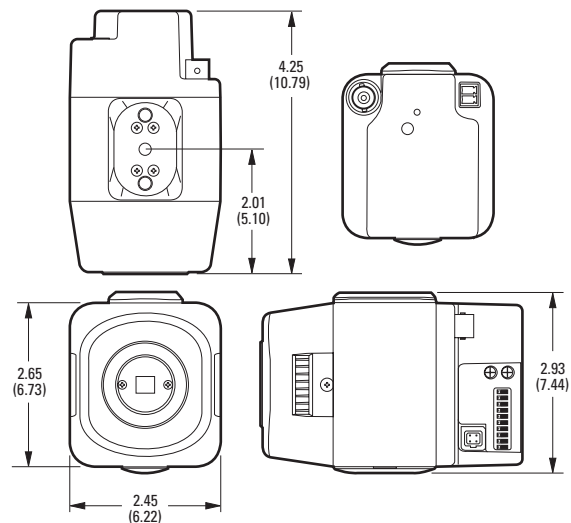
TF2000	Power supply for 24 VAC cameras, 20 vA. (For single camera application.)
MCS Series	Multiple 24 VAC camera power supply, indoor.
WCS Series	Multiple 24 VAC camera power supply, outdoor.

RECOMMENDED LENSES

13FA, FD Series	Fixed focal lenses, 1/3-inch format. FA (manual iris); FD (auto iris, DD).
13VA, VD Series	Varifocal lenses, 1/3-inch format. VA (manual iris); VD (auto iris, DD).
13ZD, ZM Series	Motorized zoom lenses, 1/3-inch format. ZD (auto iris, DD); ZM (manual iris).

LENS ACCESSORIES

LDC100	Auto iris drive converter. Converts a DC drive auto iris lens to a video drive auto iris lens. Compatible with all lens size formats.
--------	---



NOTE: VALUES IN PARENTHESES ARE CENTIMETERS; ALL OTHERS ARE INCHES.

NOTE: For outdoor camera installations, a Pelco enclosure is recommended.



Pelco Worldwide Headquarters:
3500 Pelco Way, Clovis, California 93612-5699 USA
USA & Canada Tel: (800) 289-9100 • FAX (800) 289-9150 • DataFAX (800) 289-9108
International Tel: (559) 292-1981 • FAX (559) 348-1120 • DataFAX (559) 292-0435
www.pelco.com

SuperHAD™ is a trademark of the Sony Corporation.
Specifications subject to change without notice.
©Copyright 2002, Pelco. All rights reserved.