

13VDIR Series Day/Night Lens

1/3-INCH FORMAT, AUTO IRIS (DIRECT DRIVE), IR CORRECTED

Product Features

- Designed for All Day/Night and Monochrome Cameras
- Increased Sharpness in Monochrome Mode
- Focuses IR and Visible Light
- Eliminates the Problem of IR Focus Shift
- Auto Iris, Manual Focus, and Zoom



13VDIR3-8.5

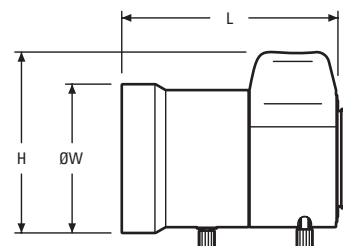
The purpose of Pelco's **13VDIR Series** is to compensate for the focus shift that results from the different wavelengths of visible and IR light. IR corrected lenses focus light energy on the same plane. The result is better focus, sharper contrast, and better overall image quality.

IR corrected lenses are particularly of benefit to Pelco's day/night cameras, which "see" both visible and IR light. IR corrected lenses allow a camera's imager to take in visible and IR illumination in "night" conditions (when the IR cut filter is not deployed), while eliminating the problem of IR focus shift.

Appropriate for indoor and outdoor lighting situations, the **13VDIR Series** lenses will fit all 1/3-inch CS mount cameras requiring DC drive auto iris lenses. Lenses in the **13VDIR Series** come with a standard square 4-pin plug installed for ease of installation and convenience.

Lenses in this series are available in 2.8X (13VDIR3-8.5), 3.9X (13VDIR2.8-11), and 6.7X (13VDIR7.5-50) zoom with varying focal lengths.

Maximum and minimum apertures for these lenses are f1.4 ~ f2.6 (13VDIR2.8-11), f1.0 ~ f1.6 (13VDIR3-8.5), and f1.3 ~ f1.8 (13VDIR7.5-50). This allows for excellent performance characteristics across a wide range of lighting conditions. These lenses have aspheric elements, which provide crisper, optimized images at all focal lengths.



MODELS	H	ØW	L
13VDIR2.8-11	1.82 (4.62)	1.57 (4.00)	2.15 (5.46)
13VDIR3-8.5	1.87 (4.74)	1.37 (3.50)	1.81 (4.60)
13VDIR7.5-50	1.97 (5.01)	1.49 (3.80)	2.17 (5.52)

NOTE: VALUES IN PARENTHESES ARE CENTIMETERS; ALL OTHERS ARE INCHES.



by Schneider Electric

International Standards
Organization Registered Firm;
ISO 9001 Quality System



C761 / REVISED 10-31-10

TECHNICAL SPECIFICATIONS

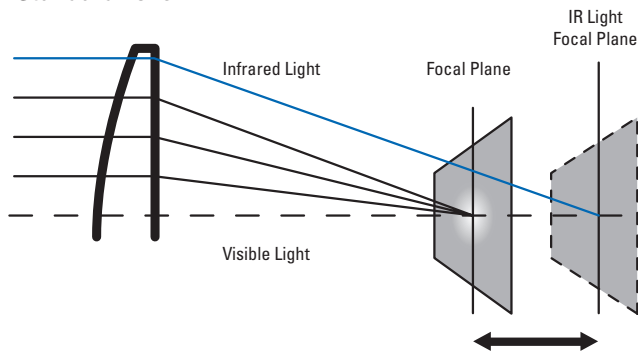
MODELS

	13VDIR2.8-11	13VDIR3-8.5	13VDIR7.5-50
Type	Varifocal Infrared	Varifocal Infrared	Varifocal Infrared
Format Size	1/3-inch	1/3-inch	1/3-inch
Mount Type	CS	CS	CS
Focal Length	2.8 ~ 11 mm	3 ~ 8.5 mm	7.5 ~ 50 mm
Zoom Ratio	3.9X	2.8X	6.7X
Relative Aperture (f)	1.4 ~ 2.6	1.0 ~ 1.6	1.3 ~ 1.8
Operation			
Iris	Auto (Direct Drive)	Auto (Direct Drive)	Auto (Direct Drive)
Focus	Manual	Manual	Manual
Zoom	Manual	Manual	Manual
Angle of View			
Diagonal	32.7° ~ 123.2°	41.9° ~ 114.1°	7.00° ~ 46.2°
Horizontal	26.2° ~ 97.4°	33.6° ~ 90.5°	5.64° ~ 36.6°
Vertical	19.7° ~ 72.4°	25.2° ~ 67.2°	4.26° ~ 27.4°
Minimum Object Distance	0.3 m	0.2 m	0.4 m
Back Focal Length	8.66 ~ 18.69 mm	7.94 ~ 13.96 mm	9.61 ~ 11.96 mm
Operating Temperature	-4° to 140°F (-20° to 60°C)	14° to 122°F (-10° to 50°C)	14° to 122°F (-10° to 50°C)
Unit Weight	0.18 lb (0.08 kg)	0.12 lb (0.05 kg)	0.15 lb (0.07 kg)
Shipping Weight	1 lb (0.45 kg)	1 lb (0.45 kg)	1 lb (0.45 kg)

CERTIFICATIONS

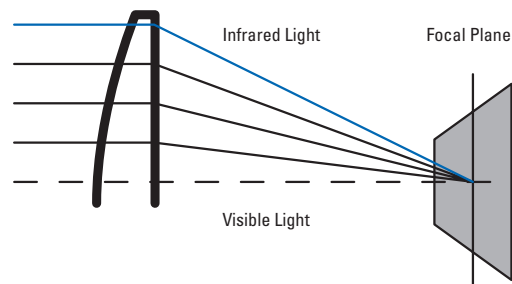
- CE, Class B (all models)
- C-Tick

Standard Lens



Out of focus caused by the focal plane difference. IR lens corrects this difference.

IR Lens



▲ **WARNING:** Cancer and Reproductive Harm - www.P65Warnings.ca.gov.
 ▲ **ADVERTENCIA:** Cáncer y Daño Reproductivo - www.P65Warnings.ca.gov.
 ▲ **AVERTISSEMENT:** Cancer et Troubles de l'appareil reproducteur - www.P65Warnings.ca.gov.

Pelco, Inc. Worldwide Headquarters:

3500 Pelco Way, Clovis, California 93612-5699 USA

USA & Canada Tel: (800) 289-9100 • FAX: (800) 289-9150

International Tel: +1 (559) 292-1981 • FAX: +1 (559) 348-1120

www.pelco.com

Pelco, the Pelco logo, and other trademarks associated with Pelco products referred to in this publication are trademarks of Pelco, Inc. or its affiliates. All other product names and services are the property of their respective companies. Product specifications and availability are subject to change without notice.

©Copyright 2010, Pelco, Inc. All rights reserved.