

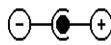
Designed to provide Surveillance for Vulnerable and Harsh environments, indoors or outdoors

Please read this sheet carefully before attempting to install and operate the camera

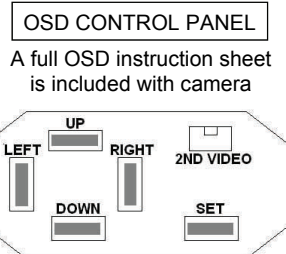
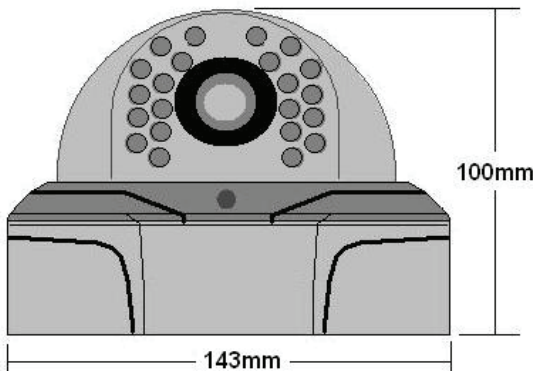
- Sony® 1/3" Super HAD CCD - 550/590TVL
- IP66 Weatherproof Housing
- Cast Aluminium Vandal-Resistant enclosure
- Smoked Polycarbonate Dome
- True Day/Night IR Filter Operation
- On Screen Display controls
- 3-axis gimbal (360° pan, 75° tilt)
- IR LED lighting to 10m* (360° pan, 70° tilt) ~ option
- 12vDC or 24vAC Operation w/Low Power Consumption
- Fitted lens is 2.8~12.0mm vari-focal, auto-iris, DD type



* In ideal conditions

Sensor	Interline CCD	Connections The camera is supplied fitted with a flying lead: Yellow BNC = video signal Black inline jack = 12vDC/24Vac  The kit includes a 2nd video output and extension cable for local set-up monitoring
Voltage	12vDC or 24vAC	
AGC	Switchable	
BLC	Switchable	
Video Signal	Composite into 75Ω	
Operating Temp.	-10°C to +50°C	
Relative Humidity	85% Max. non-condensing	

Mode	Sensor	Resolution Col / Mono	Sensitivity	Power (LED off / on)	Features	ORDER CODE
TDN	1/3" PAL	550/590	0.1/0.004 Lux - F:1.4	12vDC/24vAC ~ 300mA/200mA	Auto-Iris, Varifocal	VRD140CHVAIT0
TDN	1/3" PAL	550/590	0.1/ 0.0 Lux - F:1.4	12vDC/24vAC ~ 500mA/300mA	Auto-Iris, Varifocal, IR LEDs	VRD140CHLVAIT0
Optional accessory: Wall Mounting bracket						VRD140WBKT
We recommend the use of a 1000mA 12vDC regulated Power supply						PSU1210R



For critical viewing applications additional lighting may be required

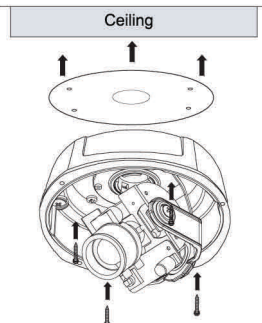


INSTALLATION GUIDE

CAUTION: do not handle lens motors

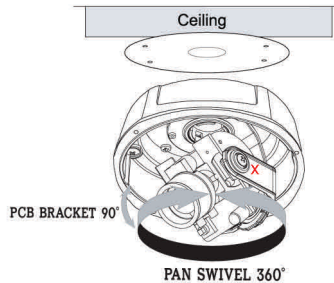
Ceiling mount

Step.1



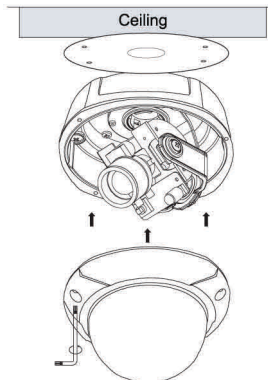
Stick the seal pad to base of camera housing. Use silicon sealant on uneven surface to ensure IP66 protection

Step.2



Adjust base turntable to aim camera. Loosen 2 screws (X) and tilt as required. Always remove camera faceplate using these screws, when re-routing cable

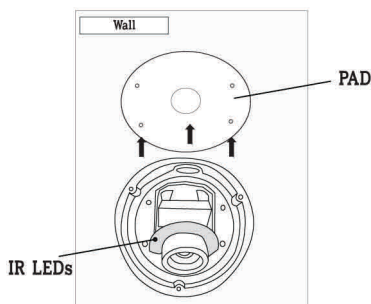
Step.3



Make focus and zoom adjustments. Ensure lens gaiter is correctly positioned (IRLED version). Replace dome cover and re-tighten security screws using supplied L-wrench.

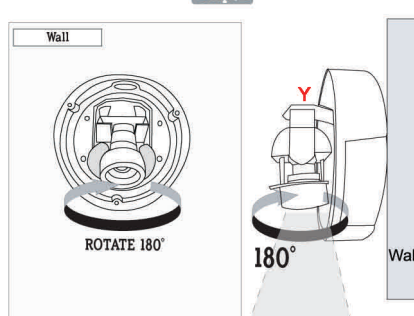
Wall mount

Step 1

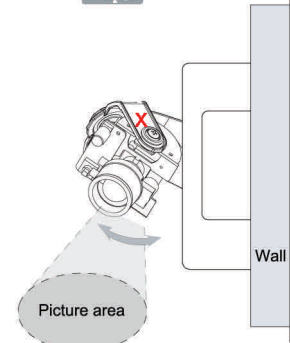


Fix camera to wall with camera pointing downwards. LED version will require bracket to be re-configured. Loosen 2 screws marked (X). Lift out camera faceplate and pcb assembly. Rotate the base turntable to position the bracket upright at top (Y). Replace camera assembly in the bracket and replace the 2 screws marked (X).

Step.2

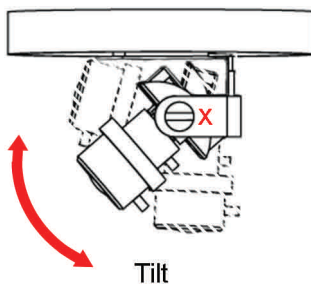


Step.3

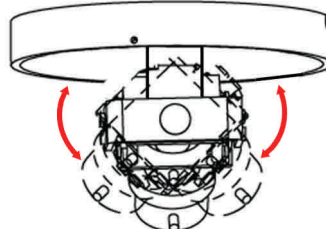


Set picture viewing area and adjust focus and zoom settings

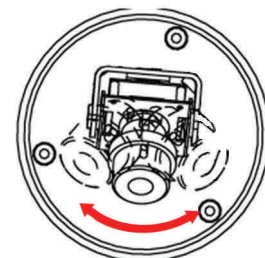
3-axis Gimble



Tilt



Rotate



Pan