

### Vandal-Resistant, IP66 True Day/Night Bullet Camera

- 1/3 Sony® Super HAD CCD
- 550TVL Resolution
- IP66 Weather-Resistance
- 12vDC/24vAC Auto-Sensing Operation
- Integral Infra-Red Lighting Coverage to 30M\*
- Integral Heating for Cold Climate Operation
- Fan-Cooled for Hot Climate Operation
- Secure, Discreet Cable Management
- 3.7~12mm Vari-Focal Aspherical Lens
- TDN (Mechanical IR Cut Filter)
- Tool-free Focus and Zoom controls

\*For critical viewing applications additional lighting may be required



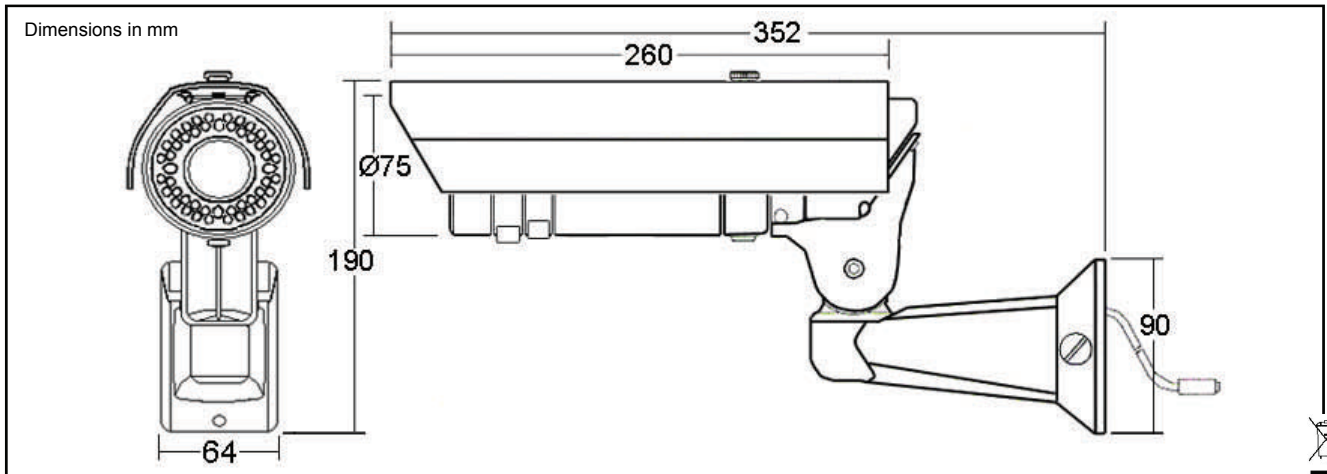
Video output	1.0V p~p Composite video 75Ω
Exposure Control	DC Auto-Iris
Lens	3.7~12mm
Power Consumption	1050mA @12vDC with Heater and LEDs ON
Operating Temperature	-10~+50°C (w/heater)
Operating Humidity	< 90% non-condensing

This unit requires a 12vDC or 24vAC Regulated PSU

**Power Connection**  
Inline DC jack (2.1mm centre pin +)

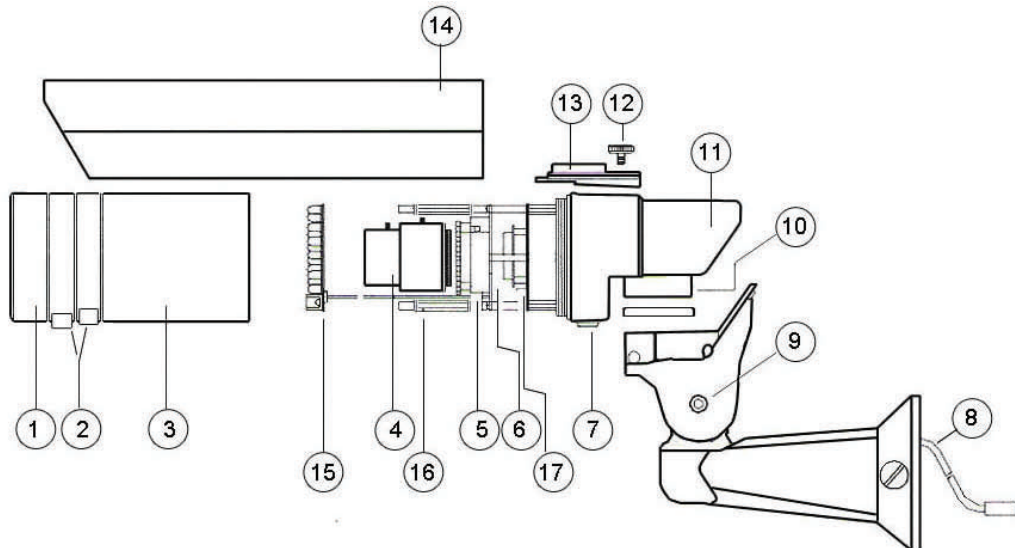
**Signal**  
Video signal is via a female BNC connector

Mode	Sensor	Resolution	Sensitivity @F1.0	Power Consumption	Features	ORDER CODE
TDN	1/3" PAL	550 TVL	0.1 Lux Col. 0.00 Lux IR on	Max.1050mA	External Focus/ Zoom controls	PC800HLT



## SPECIFICATION

MODEL	PC800HLT	
Signal System	NTSC	PAL
Image Device	1/3" SONY SUPER HAD CCD	
Effective Pixels	768(H) x 492(V)	752(H) x 582(V)
Scanning System	2:1 Interlace	
Sync System	Internal Synchronization	
Horizontal Resolution	550TV Lines	
Electronic Shutter	1/60~1/100,000 Sec	1/50~1/100,000 Sec
Video Output	1.0Vp-p 75Ω LOAD	
S/N Ratio	More Than 48dB (AGC Off)	
Gamma Characteristic	0.45	
Minimum Illumination	0 Lux (IR LED ON)	
Built-in Lens	3.7-12mm DC Auto Iris Vari-Focal TDN	
Power Consumption	12vDC / 24vAC Auto Sensing Dual Power: Max 400mA	
Operation Temperature	-10° ~ + 50°C	
Storage Temperature	-20° ~ + 60°C	
Operating Humidity	<90% non-condensing	
Net Weight	1.5kg	
Cable	800mm BNC / DC Cable	
IR LED	44 x Ø5mm illuminating to approx. 30m*	



1. WINDOW HOLDER: Retaining ring for front window - (to maintain IP rating do not disassemble this part)
2. FOCUS/ZOOM control rings: Unlock and turn to make these adjustments. Re-lock after setting.
3. HOUSING BODY: Do not remove this part except to access internal components
4. LENS: Varifocal Lens provides manual zoom and focus adjustments.
5. FILTER BLOCK: Moving optical filter that allows or cuts the IR signal.
6. FUNCTION CONTROL BOARD:
7. AIR VENT: Provides airflow when internal fan is operating.
8. CABLE SET: Cables for power and video signal.
9. BRACKET ASSEMBLY: Rear cover and pan/tilt bracket conceals and protects cable.
10. FAN: Cooling fan automatically operates when internal temperature rises.
11. BODY: Main section of the camera containing electronics.
12. SUNSHIELD LOCKSCREW: Secures sunshield at desired position.
13. MOUNT: Suitable holes for optional mounting positions.
14. SUNSHIELD: Protects the camera from excessive heat and glare.
15. IR LED BOARD: Automatically switches on in low-light conditions.
16. SCREW PILLARS: Support for the IR LED board.
17. HEATER: Protects the camera in cold conditions.

