

**P E C A N**

**Professional CCTV Products**



## **D95CMHVAI** **Internal Minidome** Colour/Mono

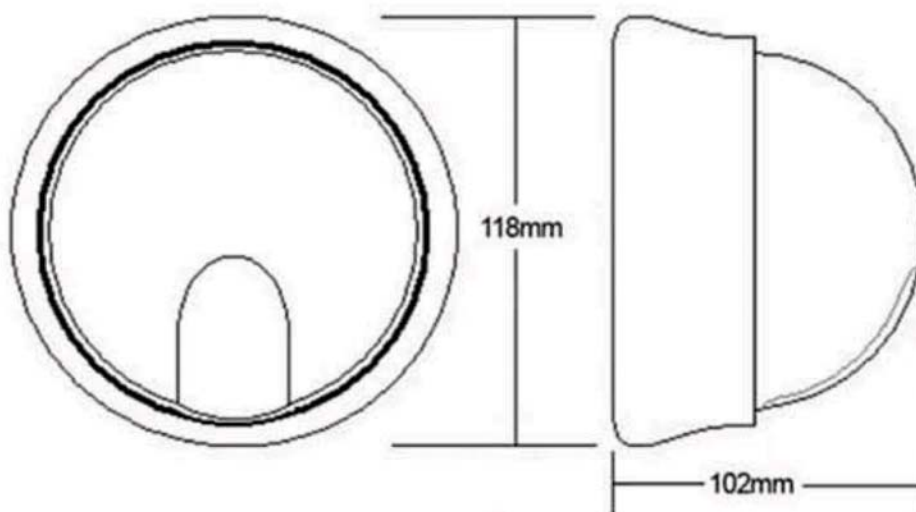
- 1/3" Sony® PAL CCD
- 520 TVL high resolution
- 2.8-10mm auto iris varifocal lens
- 3 axis gimble
- 12v DC operation
- 200 mA low power consumption
- Simple plug and play set up

### **APPLICATIONS**

Suitable for most indoor applications the D95CMHVAI offers discreet high performance surveillance. Fully IR-sensitive this camera can produce good quality black and white pictures at night when used with independent IR lighting.

**☎ 01279 419913**  
**[www.pecancctv.com](http://www.pecancctv.com)**

## D95CMHVAI Dimensions (mm)



## Technical data

Video output	Composite video into 75 Ohms
Exposure control	Electronic
Lens	f2.8-10mm auto iris varifocal
Storage temperature	-30 to +60°C
Operating temperature	-10 to +45°C
Voltage	12v DC $\pm$ 10%
S/N ratio	>48 dB
AGC	Auto
Weight	300g
Mode	Colour/Mono
Sensor	1/3" PAL
Resolution	520 TVL
Sensitivity	0.01 Lux
Power	200 mA

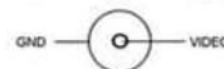
### Power connection

Power to the camera is supplied via the inline DC jack.



### Video connection

The video signal lead is fitted with a female BNC connector for easy connection to a co-axial or other cable. Centre pin is signal, sleeve is ground.



## Order information

	Code
Internal Colour/Mono Minidome	D95CMHVAI
Internal Colour/Mono Minidome in white housing	D95CMHVAI-W

We recommend the use of a min. 1 amp power supply with this item PSU1210R

Whilst every effort has been made to ensure the accuracy of the information provided, no liability can be accepted for any errors or omissions. All dimensions are approximate. Stortech Electronics Ltd reserves the right to alter the specification and introduce changes without prior notice.

## PECAN CCTV

**Tel: 01279 419913**

**Email: sales@pecancctv.com**

**Fax: 01279 419925**

**www.pecancctv.com**