

Net2 Paxlock

System specifications

| | |
|----------------------------|---------------------------------|
| Maximum total users/tokens | 50,000 |
| Token compatibility | Paxton EM Mifare |
| Stored events | 3584 |
| Handsfree compatible | No |
| Door open time | 1 sec - 60 secs |
| Silent operation | No |
| Door Traffic | Typically up to 50 uses per day |

Electrical

| | |
|--------------|---|
| Battery type | 4 x AA 1.5V Alkaline |
| Battery life | Normal power mode: 30,000 operations Low power mode: 60,000 operations |

Communication

| | |
|---|-----------------------|
| TCP/IP | No |
| Wireless | Yes 2.4GHz (802.15.4) |
| RS485 | No |
| Recommended wireless devices per Net2Air Bridge | 10 |
| Optimum wireless range | 15m/50ft |
| Encryption | AES 128bit |

Features

| | |
|----------------------------------|-------------------------|
| Door widths supported | 35mm - 60mm/1.4" - 2.5" |
| Door contact | Yes |
| Rear handle exit request | Yes |
| Low battery warning | Yes |
| Flat battery jumpstart terminals | Yes |

Lock case compatibility

| | |
|---------------------------|--|
| Backset | 55mm/2.2" |
| Rotation | 35° |
| Cylinder type | Euro profile |
| Case size | 200mm/ 7.9" |
| Escape function | Refer to Paxton support regarding compatibility |
| Lock cylinder suitability | Door width + 42mm/1.65" <i>(For further information and advice regarding lock cylinders please call the Paxton support team.)</i> |

Environment

| | |
|-----------------------|------------------------------------|
| Operating temperature | 0°C - +55°C +32°F - +131°F |
| Moisture resistance | No - not suitable for external use |
| Vandal resistance | Low |
| Fire resistance | EN 1634-1:2008 - FD30 and FD60 |

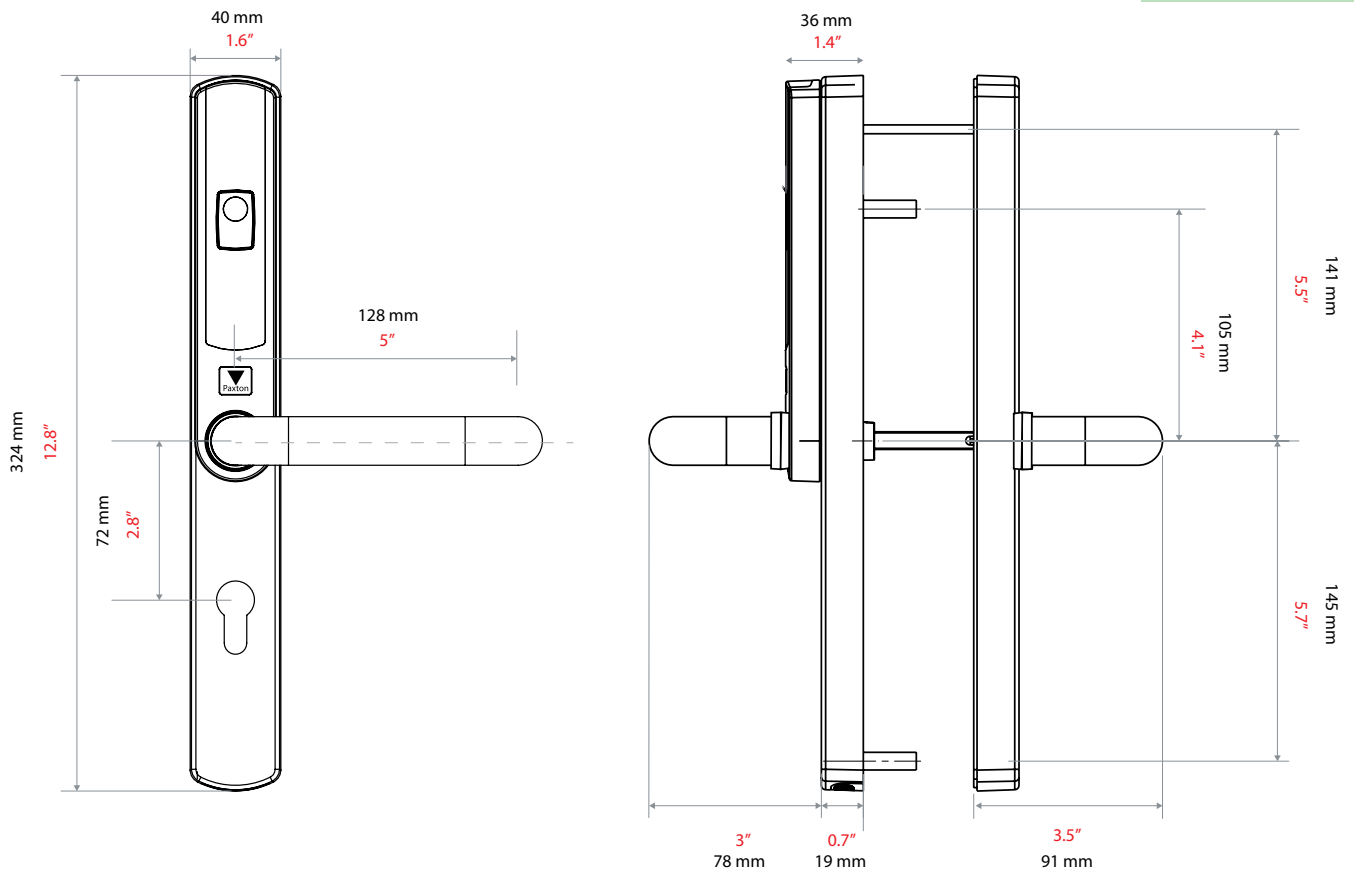


Net2 PaxLock offers a powerful wireless Net2 system within a door handle. It combines a wireless access control unit and a reader in one. There are several versions of Net2 PaxLock available; Paxton and Mifare compatible versions, both of which come with or without the option of key override.

Net2 PaxLock communicates with Net2 software at a central point by a secure, low power radio link, and events are reported back to the server in real-time. Net2 PaxLock is battery powered, which means that the unit is totally wireless as it does not require mains power.

Other hardware features:

- Available in both Paxton and Mifare formats.
- Wireless real-time event reporting.
- When PaxLock is unlocked handle moves freely.
- Distance from the handle to the cylinder (centres): 48mm to 72mm.
- Square spindles available: 7mm, 8mm, 8mm split.



Accessories and sales codes

| | | | |
|---------------------------------|---------|---------------------------------------|---------|
| Net2 Paxlock - 48mm Euro | 901-148 | Net2 Paxlock Mifare - 72mm Euro | 901-272 |
| Net2 Paxlock Mifare - 48mm Euro | 901-248 | Net2 Paxlock - No Key Override | 901-110 |
| Net2 Paxlock - 72mm Euro | 901-172 | Net2 Paxlock Mifare - No Key Override | 901-210 |

