

Panasonic

ideas for life

43.2cm (17") LCD AV Monitor WV-LC1710



New High Resolution LCD Monitor With Exceptional Image Quality

Panasonic introduces a new 43.2cm (17") LCD colour monitor with extraordinary image quality. This new monitor comes equipped with a 1,280 x 1,024 high-resolution SXGA panel, 500 TV lines of horizontal resolution, and 8-bit full colour display — plus, proprietary Panasonic image-processing technology that delivers images with greater sharpness and clarity. It also comes equipped with three video terminals (composite, S-Video and Y/Cb/Cr component video) plus RGB for PC input, audio output and a Max. 0.5W built-in speaker.

Its real-time Picture in Picture (PIP) feature allows simultaneous viewing of surveillance camera images and PC screens. The 1/9th size PIP makes it easy to choose the images and screens you need. The PIP window can be placed in any of the panel's four corners, whichever is best for you. Buttons on the front of the monitor and seven language menus make settings and adjustments simple. You can use it as a desktop monitor, or with an optional bracket, it can be mounted on an EIA 19-type rack mount. Or, you can mount it on a wall using a locally supplied standard VESA bracket. A security slot in the back allows insertion of an industry-standard anti-theft lock. Power consumption is 43W, and the monitor is only 70mm* thick.

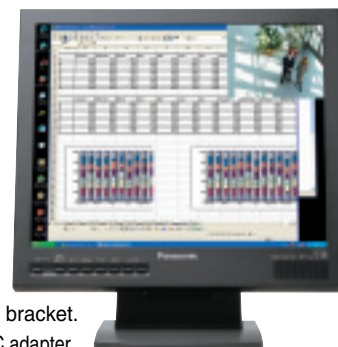
The energy and space savings compared to conventional CRTs are enormous, and this monitor also has a longer life.

The WV-LC1710 is the perfect match for a wide range of security applications where high-quality, highly reliable monitoring is a must.

(*Excluding the stand)

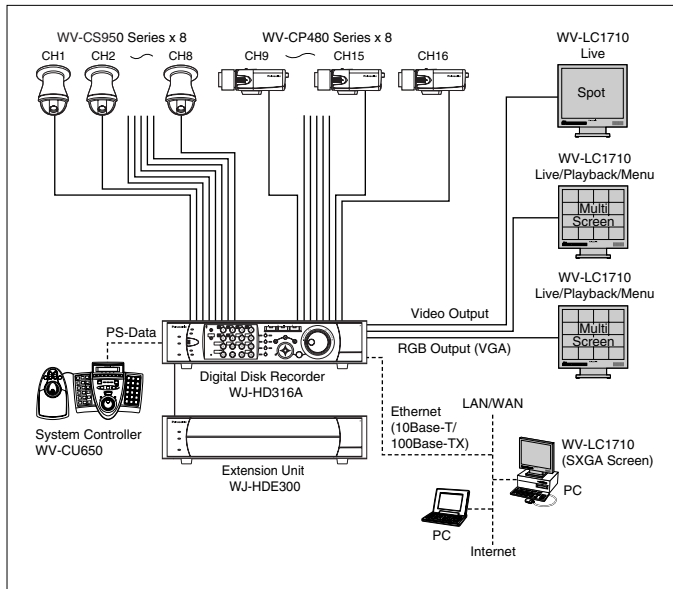
KEY FEATURES

- Screen size: 43.2 cm (17") diagonal.
- Screen resolution: 1,280 x 1,024 (SXGA).
- Horizontal resolution: 500 TV lines.
- High contrast and true 8 bit full colour display.
- High picture quality and high resolution using motion adaptive I/P converter technology.
- Three (3) video terminals (composite, S-Video and Y/Cb/Cr component video) plus RGB for PC input.
- Max. 0.5W speaker output.
- Three (3) selectable scan sizes: full scan (5:4), over scan (4:3) and under scan (4:3).
- Picture setup and adjustment using on-screen menus and front-mounted buttons.
- Built-in real-time Picture in Picture (PIP) function with 1/9th screen size.
- Setup menus can be displayed in seven (7) languages: English, French, German, Spanish, Italian, Chinese and Japanese.
- Equipped with screen panel for protects the LCD display from scratching.
- Optional mounting bracket: WQ-LM171 for EIA 19-type rack.
- Wall-mountable using locally supplied VESA standard mounting bracket.
- Power supply: 100V - 240V AC with AC adapter.

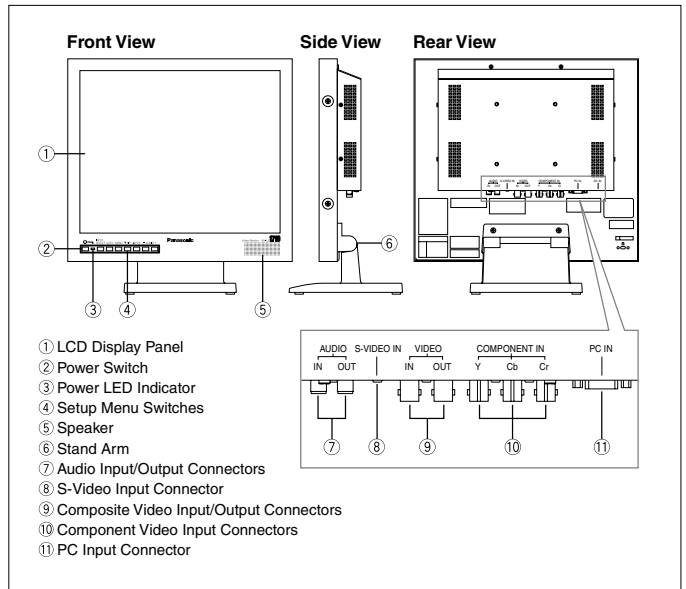


*All TV pictures are simulated.

SYSTEM EXAMPLE



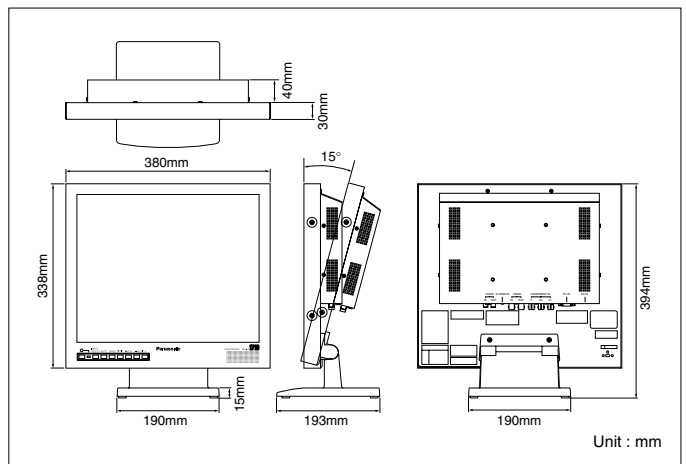
MAJOR OPERATING CONTROLS & TERMINALS



SPECIFICATIONS

Model No.	WV-LC1710	
TV System	PAL or NTSC standard (automatic switching)	
Display Panel	Screen Size	43.2 cm (17") diagonal actual visual size (H: 338 mm, V: 270 mm)
	Pixel	1,280 x 1,024 (SXGA)
	Display Colours	8 bits (approx. 16,770,000 colours)
Horizontal Resolution	500 TV lines	
Composite Video Input / Output	1.0 V [p-p] composite / 75 Ω (Hi-Z) loop thru, BNC connectors x 2	
S-Video Input	Y: 1.0 V [p-p] / 75 Ω, C: 0.3 V [p-p] / 75 Ω, Mini DIN connector x 1	
Component Video Input	Y: 1.0 V [p-p] / 75 Ω, Cb: 0.7 V [p-p] / 75 Ω, Cr: 0.7 V [p-p] / 75 Ω, BNC connectors x 3	
PC Input	R/G/B: 0.7 V [p-p] / 75 Ω, 15-pin D-sub Connector x 1	
Audio Input / Output	-8 dB / Hi-Z, loop thru, RCA pin terminals x 2	
Speaker Output	0.5 W (Built-in speaker: 8 Ω)	
Colour Temperature	Video Input	Standard / 9,300 °K / 6,500 °K
	PC Input	User Colour / 9,300 °K / 6,500 °K
Picture in Picture Display	1/9th screen size, can be displayed into 4 different corner positions	
Power Supply	100 V - 240 V AC, 50/60 Hz (with AC Adapter)	
Power Consumption	43 W	
Ambient Operating Temperature	-10 °C - +40 °C	
Ambient Operating Humidity	Less than 90 %	
Dimensions (W x H x D)	with stand	380 mm x 394 mm x 70 mm
Weight	with stand	approx. 6.5 kg

APPEARANCE



OPTIONAL COMPONENTS & ACCESSORIES

<p>Super Dynamic III Colour Dome Cameras WV-CS950 Series</p> 	<p>Weather Proof & Vandal Resistant Colour Dome Cameras WV-CW860A Series</p> 	<p>Digital Disk Recorders WJ-HD316A (16ch) WJ-HD309A (9ch)</p> 	<p>Matrix Systems SYSTEM850 SYSTEM150</p> 	<p>EIA 19-type Rack Mount Bracket WQ-LM171</p> 
<p>Vandal Proof Super Dynamic II Colour Cameras WV-CW470A Series</p> 	<p>Super Dynamic III Colour Surveillance Cameras WV-CP480 Series</p>  <p>(Lens: optional)</p>	<p>System Controller WV-CU650</p> 		

Important – Safety Precaution: carefully read the operating instructions and installation manual before using this product.

• Microsoft, Windows and WindowsXP are registered trademarks of Microsoft Corporation.

• All TV pictures are simulated. • Weights and dimensions are approximate. • Specifications are subject to change without notice. • These products may be subject to export control regulations.

DISTRIBUTED BY:

Panasonic

Panasonic is the brandname of Matsushita Electric.

Printed in Japan

WV-JKLC1710T(2N-746)