

48.1 cm (19") SXGA LCD Monitor
WV-LC1900
43.2 cm (17") SXGA LCD Monitor
WV-LC1700

NTSC WV-LC1900 (120 V AC) PAL WV-LC1900 (100 ~ 240 V AC)
WV-LC1700 (120 V AC) WV-LC1700 (100 ~ 240 V AC)



High Resolution LCD Monitor with Exceptional Image Quality

WV-LC1900/LC1700 is equipped with proprietary Panasonic image-processing technology that delivers images with greater sharpness and clarity. The energy and space savings compared to conventional CRTs are enormous, and this monitor also has a longer life.

Key Features

- Screen size: 48.1 cm (19") / 43.2 cm (17") diagonal
- Screen resolution: 1,280 x 1,024 (SXGA)
- Horizontal resolution: 500 TV lines
- High contrast 800 : 1
- Full color display: Approx. 16.7 million colors
- High picture quality and high resolution using motion adaptive Interface/Progressive converter technology
- 2x BNC composite inputs with loop through outputs, S-Video and RGB for PC input
- Max. 0.5 W speaker output
- Selectable color temperature
- Three selectable scan sizes: full scan (5 : 4), over scan (4 : 3) and under scan (4 : 3)
- Picture setup and adjustment using OSD setup menus and front panel buttons
- Multi-language setup menus: English, French, German, Spanish, Italian, Chinese, Russian and Japanese
- Optional mounting bracket: WQ-LM191 for EIA 19 inch rack
- VESA standard mounting holes are equipped.

- A security slot in the back allows insertion of an industry-standard anti-theft lock.
- Power supply: 120 V AC (NTSC), 100 ~ 240 V AC (PAL)

Standard Accessories

- | | | | |
|--------------------------------|-------|---------------------------------|--------|
| • Operating Instructions | 1 pc. | • Power Cord (NTSC model) | 1 pc. |
| | | • Power Cord (PAL model) | 2 pcs. |

Optional Accessory

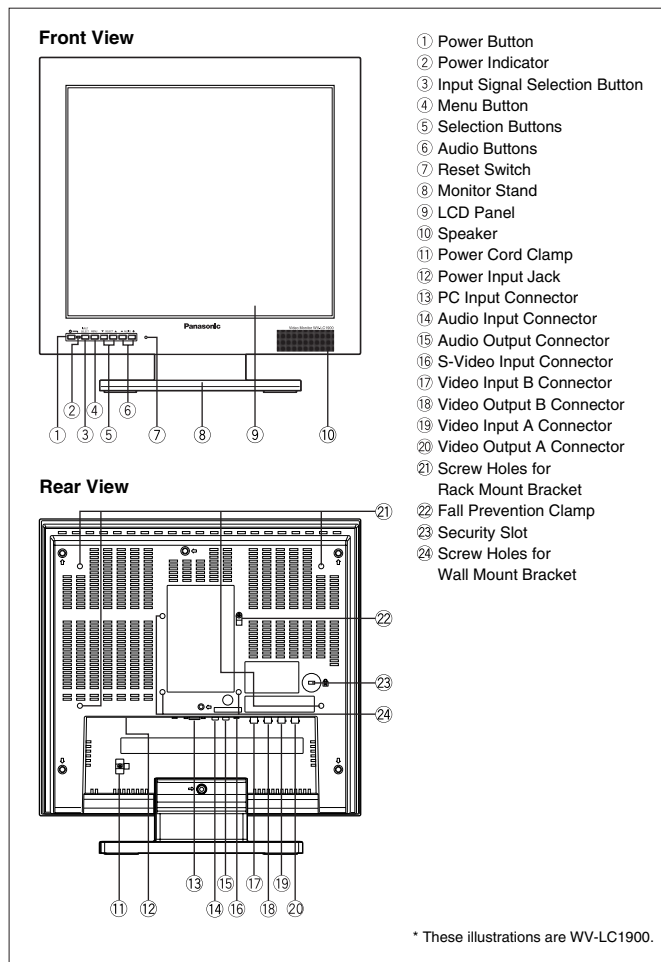
EIA19 inch Rack Mount Bracket
WQ-LM191
(for mounting WV-LC1900 or WV-LC1700)



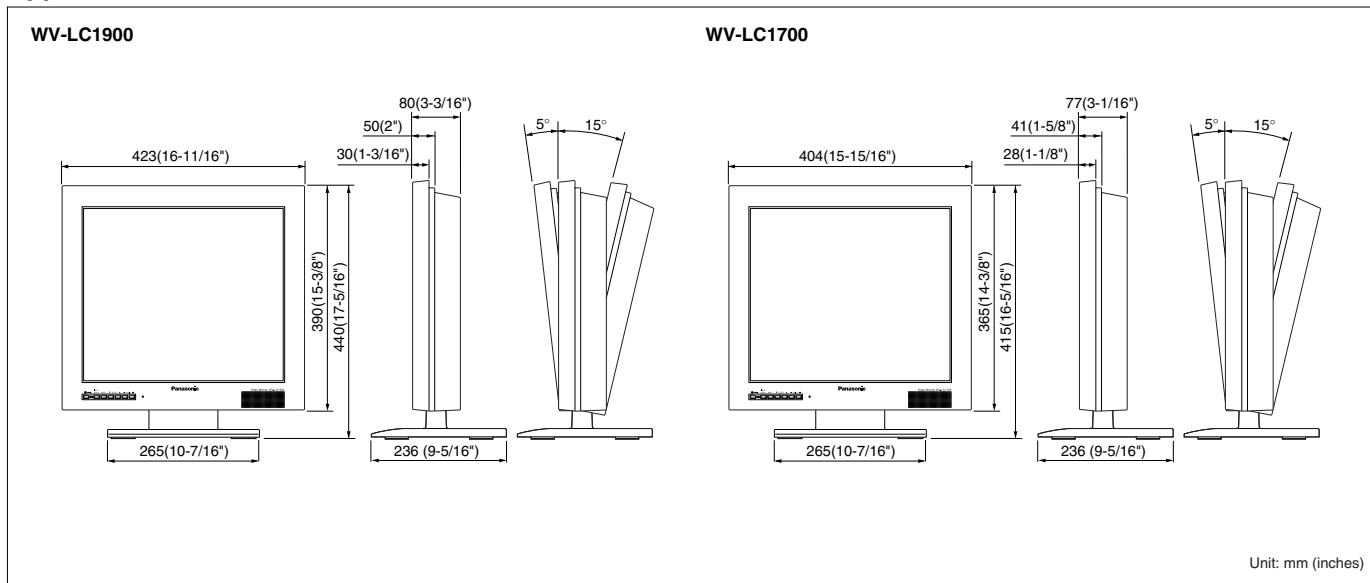
Specifications

Model No.	WV-LC1900	WV-LC1700	
TV System	NTSC/PAL (automatic select)		
Display	Display Size: 48.19 cm (19") diagonal	43.27 cm (17") diagonal	
Panel	Number of Pixels	1,280 x 1,024 (SXGA)	
	Display Area (H x V)	376 mm x 301 mm (14-13/16" (H) x 11-7/8" (V))	337 mm x 270 mm (13-1/4" (H) x 10-5/8" (V))
	Horizontal Resolution	500 TV lines	
	Aspect Ratio	5 : 4	
	Brightness	300 cd/m ² (Center 1 point, Typical)	
	Contrast Ratio	800 : 1 (Typical)	
	Response Time (Rise/Fall)	1.3 ms / 3.7 ms (Typical)	1.2 ms / 3.8 ms (Typical)
	Viewing Angle (L/R/U/D)	80° / 80° / 75° / 85° (CR>10, Typical)	80° / 80° / 75° / 85° (CR>10, Typical)
	Display Colors	Approx. 16.7 million colors	
	Input / Output	Composit Video Input	2x Composite Video Inputs (BNC) with auto termination loop through outputs (BNC)
S-Video Input		1x S-Video input (Mini DIN connector)	
RGB Video Input (PC)		0.7 V [p-p] / 75 Ω, 15pin mini D-sub	
RGB Frequency Range		60 Hz / 72 Hz / 75 Hz (VGA) 56 Hz / 60 Hz / 72 Hz / 75 Hz (SVGA) 60 Hz / 70 Hz / 75 Hz (XGA) 60 Hz / 75 Hz (SXGA)	
Audio Input		1x -8 dB / Hi-Z, (RCA pin jack) with loop through output (RCA pin jack)	
Speaker		1x 0.5 W	
Controls		Audio	UP/Down by front button
General	Adjustment for Analog Input	BRIGHTNESS, CONTRAST, SHARPNESS, COLOR level, TINT (NTSC only), H POSITION by setup menu	
	Adjustment for RGB Input	BRIGHTNESS, CONTRAST, H POSITION, V POSITION by setup menu	
	Setup Menu Language	English, French, German, Spanish, Italian, Chinese, Russian, Japanese	
	Color Temperature	Analog Input: 9,300 °K / 6,500 °K, RGB Input: User Color / 9,300 °K / 6,500 °K by setup menu	
	Scanning	Full / Under / Over by setup menu	
Safety/EMC Standard	Power Source	120 V AC, 60 Hz (NTSC), 100 ~ 240 V AC 50 Hz (PAL)	
	Power Consumption	43 W (NTSC), 46 W (PAL)	41 W (NTSC), 43 W (PAL)
	Ambient Operating Temperature	0 °C ~ +40 °C (+32 °F ~ +104 °F)	
	Ambient Operating Humidity	Less than 90 % (without condensation)	
	Dimensions (W x H x D)	423 mm x 440 mm x 236 mm (16-11/16" x 17-5/16" x 9-5/16") (including the monitor stand)	404 mm x 415 mm x 236 mm (15-15/16" x 16-5/16" x 9-5/16") (including the monitor stand)
Weight	7.5 kg (16.5 lbs.) (including the monitor stand)	7.0 kg (15.4 lbs.) (including the monitor stand)	
TV System	NTSC models	UL (UL60065), FCC (Part15 ClassA), C-UL (CAN/CSA C22.2 No.60065), DOC (ICES003 ClassA)	
	PAL models	CE (EN60065, EN55022 ClassB, EN55024), SEMKO, GOST (BZ02), C-Tick	

Part Names and Functions



Appearance



Important

– Safety Precaution: carefully read the operating instructions and installation manual before using this product.

- All TV pictures are simulated.
- Weights and dimensions are approximate.
- Specifications are subject to change without notice.
- These products may be subject to export control regulations.
- All product pictures are NTSC models.

DISTRIBUTED BY:

Panasonic[®]

<http://panasonic.net/security/>

Printed in Japan (2A-039AA)