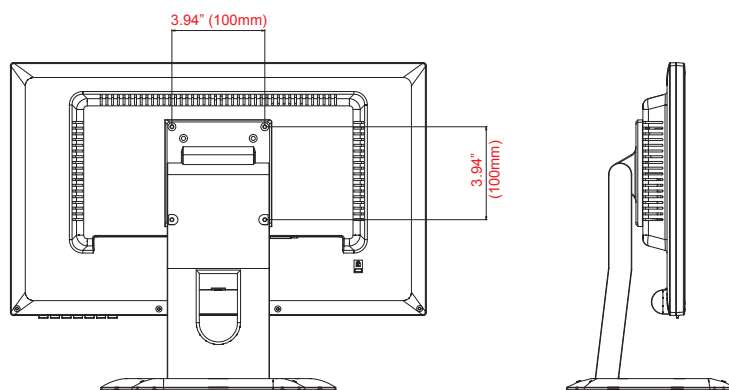
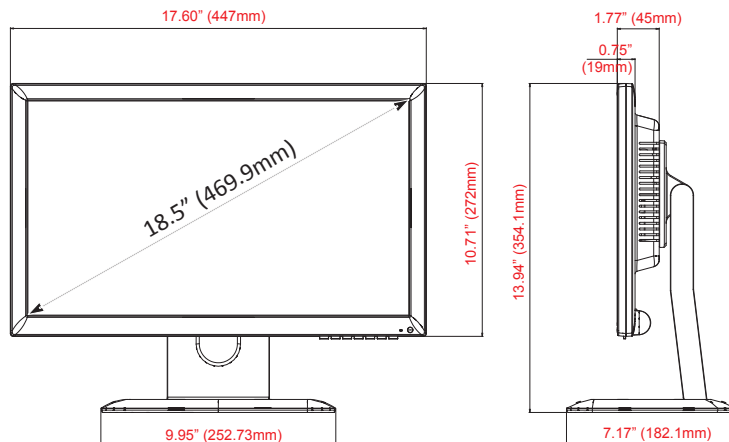




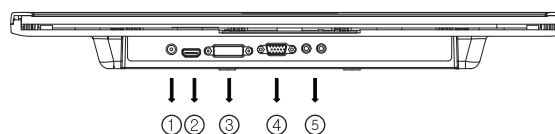
MODEL #	185LED-E
DISPLAY	
Screen Size	18.5"
Max. Resolution	1366 x 768 @ 60Hz
Pixel Pitch	0.300mm x 0.300mm
Brightness	250cd/m ² (Typical)
Contrast Ratio	1000:1
Aspect Ratio	16 : 9
Viewing Angle (H/V)	170°/160°
Display Color	16.7 Million
Response Time	< 5ms
Video System	N / A
Frequency (H)	31 ~ 64Khz
Frequency (V)	56 ~ 75Hz
INTERFACE	
AV(Composite) In/ Out	N / A
S-Video In / Out	N / A
RGB In(15Pin D-Sub)	1
Component(Y, Pb, Pr, Sound L/R) In	N / A
DVI-In	1
HDMI In	1
Trigger In	N / A
AV(Composite) Sound In/Out (RCA Type)	N / A
PC Stereo In/Out	1 / 1
AUDIO	
Built in speaker	2 W x 2
SPECIAL FEATURES	
Multi Display Function	N / A
Filter Type	N / A
Video Resolution(Max)	N / A
Multi-lingual Language	English, Spanish, French, Korean, Dutch
DIMENSIONS	
Outline Dimension (W x H x D)	17.60" x 13.94" x 7.17" (447.0mm x 354.1mm x 182.1mm)
Net Weight	6.46 lbs (2.93kg)
MOUNT	
VESA	100mm x 100mm
GENERAL	
Transmitter - IR Remote Control	N / A
Power - Electrical Ratings - Consumption	DC12V(AC100 ~ 240V[50/60Hz]) 13.2W
Warranty - Parts/ Labor - MTBF (Approx.)	3 Year / 3 Year 50,000 Hours
Operating Temperature	32 - 104°F / 0 - 40°C
Regulations	TUV-NRTL (=UL), CB, FCC(A), CE-Emc(LVD)
Compatible Mounts - WALL - CEILING - RACK	VZ-WM05, VZ-WM10, VZ-WM30, VZ-WM31 VZ-CMK01, VZ-CMK05, VZ-CMK07 N / A

185LED-E ADVANTAGES:

- 720p HD Resolution
- 40% Lower Power Consumption
- HDMI, VGA, DVI
- Built-in Speakers
- 3-Year Warranty



INTERFACE



1. DC12V IN
2. HDMI
3. DVI
4. VGA
5. AUDIO IN/OUT

Contact Point

- <http://www.oriontechnology.co.kr>
- 1242 Apo industrial zone, In-ri, Apo-up, Gimchun-shi, Kyungbuk, Korea
- TEL: 82-54-430-8902 / FAX: 82-54-430-8904