

FTD110DB-XXR3

3 Independent Optical Channels 8-bit Digital Video Receiver with Bi-directional Data Transceiver



Features

Video

- ▶ NTSC or PAL video standards supported
- ▶ Non-compressed 8-bit digitally encoded video
- ▶ 3 independent channel receiver in one module
- ▶ No video degradation over the maximum operating distance

Data

- ▶ Meets EIA RS-232/422/485 specifications
- ▶ Full RS-485 Tri-state support
- ▶ Half or full-duplex operation
- ▶ Transparent to data encoding
- ▶ Data rates from 0 to 256kbps

Optical

- ▶ Three independent fiber inputs
- ▶ High performance laser-based optics
- ▶ Multimode or Singlemode
- ▶ ST or FC connectors available

Robust Design

- ▶ Plug-and-Play design, no in-field adjustments required.
- ▶ Hot-swappable design
- ▶ Wide operating temperature range of -40°C to +75°C
- ▶ Designed for use in harsh environments

Warranty

- ▶ Comprehensive Lifetime Warranty

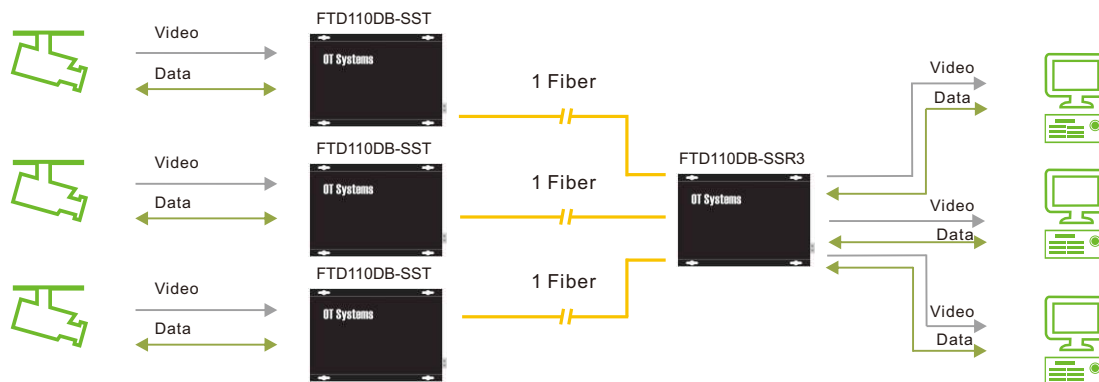
Description

The 8-Bit Digital Video and Data Modules series FTD110DB-XXR3, the 3-channel video fiber receiver and data transceiver, features high-performance laser-based optics for the clearest, most reliable data transmission. The FTD110DB-XXR3 supports 3 independent channels of 8-bit PCM digital video with bi-directional data in both single and multi-mode with no video degradation over the entire operating distance (up to 20km), as well as RS-232/422/485 serial data.

This plug-and-play product provides instant product compatibility for most major security manufacturers' equipment and reliability in harsh environments, a perfect compliment to any commercial, government or intelligent transportation application. The product features in card module or standalone type.

These units are compatible with the FTD110DBMicro and FTD110DB transmitters.

Typical Application



Video Transmission

Specifications

Video

Number of Channels	3 (from independent Transmitters)
Format	NTSC/PAL/SECAM
Input/Output	1 Volt pk-pk (75 ohms)
Bandwidth	>=6MHz
Differential Gain	<1% Typical
Differential Phase	<1 Degree Typical
SNR-CCIR weighted	>60dB

Data

Number of Channels	3
Data Direction	Bi-directional
Data Interface	RS232, RS422, RS485 2 or 4-wire Tri-state
Selection Method	DIP switch-selectable
Data Rate	0-256kbps
Data Format	MPD (Manchester, Bi-phase, etc)

LED

Video Signal Indication (Presence)	Green LED lit
Data In / Out	Red/Green LED lit
Optical Carrier Detected	Yellow / Active
Power	Red / On

Connectors

Video Output	BNC
Optical Input / Output	ST (standard), FC (optional)
Data Input / Output	7-pin screw terminal
Power (Standalone)	2-pin screw terminal
Power (Rack-Mount)	Bus connector

Electrical and Mechanical

Power (Standalone)	12VDC @ 8.4W
Power (Rack Mount)	From FT-C18 Chassis
Dimensions(WxHxD) (Standalone)	156 x 50.5 x 223mm(Max)
Dimensions(WxHxD) (Rack Mount)	148 x 41.4 x 213mm(Max)
Shipping Weight (Standalone)	0.9kg
Shipping Weight (Rack Mount)	0.4kg

Environmental

Operating Temp	-40°C to +75°C
Storage Temp	-40°C to +85°C
Relative Humidity	0 to 95% non-condensing
MTBF	> 100,000 hours

Video Transmission

Ordering Information

Fiber Type	Part Number	Description	Wavelengths (nm)	Optical Power Budget (dB)	Max. Distance (Km)	No. of slots
Multi-mode (62.5/125µm)	FTD110DB-SMR3	3 Independent Optical Channels 8-Bit Digital Video Receiver with Bi-directional Data Transceiver	1310 1550	23	4	2
Single-mode (9/125µm)	FTD110DB-SSR3	3 Independent Optical Channels 8-Bit Digital Video Receiver with Bi-directional Data Transceiver	1310 1550	17	20	2

Options	<ul style="list-style-type: none"> ST type connector is standard. For FC type, specify "F" in the suffix. E.g. FMR3. For Standalone type, please add "SA". E.g. SMR3SA Please feel free to consult factory if longer transmission distance is required.
Power Adaptor	<ul style="list-style-type: none"> Power adaptor is included for Standalone type only.
Rack Mount Chassis	<ul style="list-style-type: none"> FT-C18 is to be purchased separately. Please refer to accessories section for the details.

- Notes:**
- Transmission distance will suffer if additional losses are introduced by the optical connectors, fusions, splices and the fibers within the network.
 - Operating distance of multimode is limited by the characteristics of the fiber bandwidth.
 - Power adaptor is manufactured by third party and is supplied with fitted screw - terminal output cables.
 - Please feel free to consult factory for any special requirement and customization.

