

ET8122PpH-S-DR

Hardened Unmanaged 8-port 10/100Base-TX (PoE+) + 2-port 10/100/1000Base-T/SFP Combo Ethernet Switch



Features

General

- ▶ 8 10/100Base-TX + 2 10/100/1000Base-TX/SFP Combo with PoE+
- ▶ Supports IEEE802.3at PoE+ (30W per port)
- ▶ RJ45 Port Supports 10/100Mbps-Full/Half-duplex, Auto-Negotiation, Auto MDI/MDI-X
- ▶ Combo RJ45 Port Supports 10/100/1000Mbps-Full/Half-duplex, Auto-Negotiation, Auto MDI/MDI-X
- ▶ Supports external SFP
- ▶ Supports 802.3x Flow control
- ▶ Support 8K MAC addresses
- ▶ 1M bits frame buffer memory
- ▶ Supports Relay output for Power and Port failure
- ▶ Supports DIN-Rail and Wall-mount installation
- ▶ Redundant Power Inputs
- ▶ Environmentally hardened -40°C to 75°C (-40°F to 167°F) operating temperature

Warranty

- ▶ 5-Year Warranty



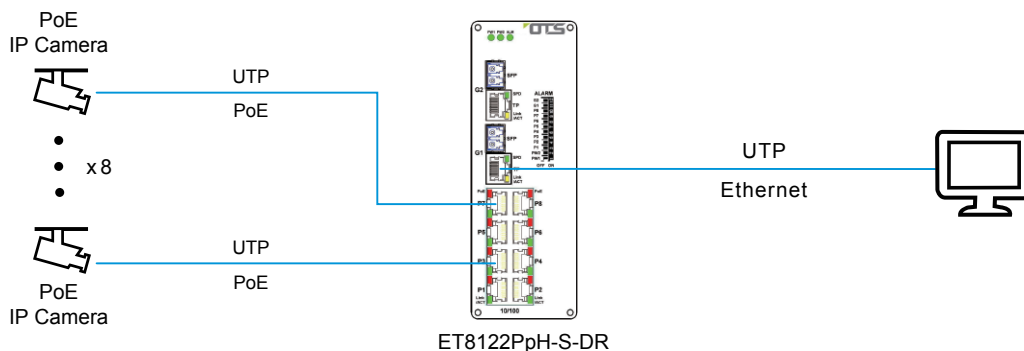
Unmanaged PoE Switches

PoE Switches

Ordering Information

Model	Description
ET8122PpH-S-DR	Hardened Unmanaged 8-port 10/100Base-TX (PoE+) + 2-port 10/100/1000Base-T/SFP Combo Ethernet Switch
SFP Options	<ul style="list-style-type: none"> ■ (S) = SFP option. Please select your SFP option on our SFP Option page. ■ SFP module is to be purchased separately.
Mounting Options	<ul style="list-style-type: none"> ■ Default DIN-Rail Bracket installed, Wall Mount Bracket is included.
Power Options	<ul style="list-style-type: none"> ■ For available power supply selection, please refer to Power Supply information page in the catalogue or our website www.ot-systems.com for details. ■ Power Supply is to be purchased separately.

Typical Application



Specifications

Ethernet

Standards:	IEEE802.3 10Base-T
	IEEE802.3u 100Base-TX
	IEEE802.3ab 1000Base-T
	IEEE802.3z 1000Base-X
	IEEE802.3af/at Power over Ethernet
Processing Type:	Store-and-forward
Forward Filter Rate:	14,880pps (10Mbps)
	148,800pps (100Mbps)
	1,488,000pps (1000Mbps)
Packet Buffer Memory:	1M bit
Max Packet Length:	1522 Bytes
Address Table Size:	8K MAC Addresses
Connector:	10xRJ45
Optical Port:	2xSFP

Environmental

Operating Temperature:	-40°C to 75°C (-40°F to 167°F)
Storage Temperature:	-40°C to 85°C (-40°F to 185°F)
Relative Humidity:	5% - 95% (non-condensing)
MTBF:	> 200,000 hrs

Electrical and Mechanical

Input Power:	48~57VDC, Redundant Power (6-pin Terminal Block)
Power Consumption:	Max. 7W (System no-load) Max. 13W (System Full-load)
LED Indicators:	
Power:	Power Status
Ethernet(Per Port):	Link/Active, Speed
SFP:	Link, Active
Dimensions (WxDxH):	59 x 120.5 x 165 mm
Weight:	0.9Kg
Casing:	Aluminum Case
Mounting:	DIN-Rail / Wall Mount

Regulatory Approvals

ISO9001, CE, FCC, RoHS
EMI
EN55022:2010+AC: 2011, Class A
EN 61000-3-2: 2006+A1: 2009+A2: 2009
EN 61000-3-3: 2013
EN55024:2010
EMS
IEC 61000-4-2: 2008 (ESD)
IEC 61000-4-3: 2010 (RS)
IEC 61000-4-4: 2012 (EFT)
IEC 61000-4-5: 2014 (Surge)
IEC 61000-4-6: 2013 (CS)
IEC 61000-4-8: 2009 (PFMF)



OT Systems Ltd., May 2015

Due to continuous improvement, all product specifications are subject to change without further notice.

