

# ET4222Pp-S-DR Series

Hardened / Industrial IP CCTV Self-Configured 4-port 10/100/1000Base-T (PoE+) + 2-port 1000Base-FX SFP Ethernet Switch



## Features

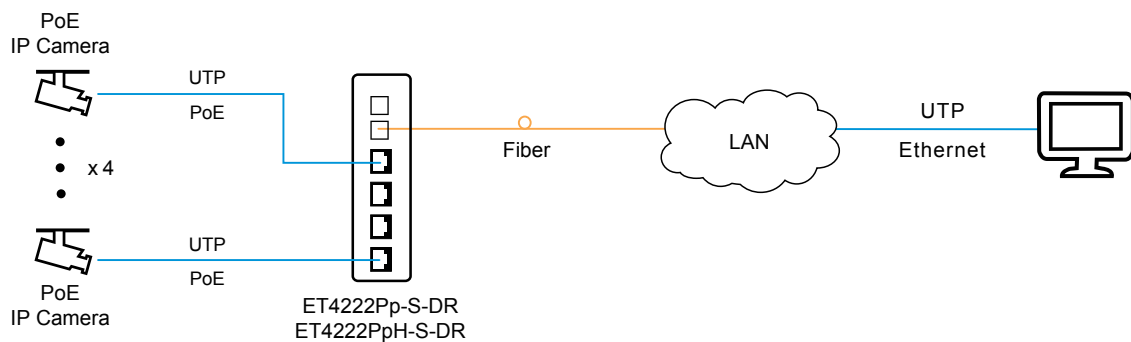
- ▶ Automatically support IGMP (Multicasting)
- ▶ Supports 10/100/1000Mbps-Full/Half-duplex, Auto-negotiation, Auto MDI/MDI-X
- ▶ Supports external 1000Base SFP
- ▶ Supports Daisy-Chain connection
- ▶ Supports IEEE 802.3at PoE+ (30W per port)
- ▶ Supports Light Hardware IGMP V1, V2, V3
- ▶ Supports Broadcast Storm Control
- ▶ Supports Relay output for power failure
- ▶ 1M bits frame buffer memory
- ▶ Supports 9K Bytes Jumbo Frame
- ▶ Supports Energy Efficient Ethernet IEEE802.3az
- ▶ Redundant Power Inputs
- ▶ Supports Wall-mount and DIN-Rail installation
- ▶ Environmentally hardened  
-40°C to 75°C ( -40°F to 167°F) operating temperature



## Warranty

- ▶ 5-Year Warranty

## Typical Application



## Specifications

### Ethernet

Standards	IEEE802.3 10Base-T IEEE802.3u 100Base-TX/FX IEEE802.3ab 1000Base-T IEEE802.3z 1000Base-X IEEE802.3af Power over Ethernet IEEE802.3at Power over Ethernet
Processing Type	Store-and-Forward
Switch Fabric	12 Gbps
Forward Filter Rate	14,880pps (10Mbps) 148,800pps (100Mbps) 1,488,000pps (1000Mbps)
Packet Buffer Memory	1 Mbit
Max. Packet Length	9K Bytes Jumbo Frame
Address Table Size	2048K MAC Addresses
Connector	4 x RJ45
Optical Port	2 x SFP 1000Base-X

### Electrical and Mechanical

Input Power	2 x 48~57VDC (Terminal Block)
-------------	-------------------------------

## Specifications

Power Consumption	135W Max. 2.8A@48VDC (PoE in use) 5W Max. 0.1A@48VDC (PoE not in use)
Protection	
Power Input Overload	Automatic Resettable
Reverse Polarity	Present
LED Indicators	
Power	Power Status
Ethernet (Per Port)	LINK/Activity
SFP	LINK/Activity
PoE	
Standard	IEEE802.3at
Port	RJ45 Port1~Port4
Max. Power per port	30W Max per port (Alternative B mode)
Dimensions (W x D x H)	148 x 120 x 31 mm
Weight	0.5Kg
Casing	Aluminum Case
Mounting options	DIN-Rail / Wall-mount

## Environmental

Operating Temperature	
Hardened	-40°C to 75°C (-40°F to 167°F)
Industrial	-10°C to 60°C (14°F to 140°F)
Storage Temperature	-40°C to 85°C (-40°F to 185°F)
Relative Humidity	5% to 95% non-condensing
MTBF	> 200,000 hrs

## Regulatory Approvals

ISO9001, CE, FCC, RoHS	EMS
EMI	IEC 61000-4-2:2008(ESD)
EN55022:2010+AC:2011, Class A	IEC 61000-4-3:2010(RS)
EN61000-3-2:2006+A1: 2009+A2:2009	IEC 61000-4-4:2012(EFT)
EN61000-3-3: 2013	IEC61000-4-5: 2014(Surge)
EN55024:2010	IEC61000-4-6:2013(CS)
	IEC61000-4-8:2009(PFMF)

## Ordering Information

Available Model	Description
ET4222Pp-S-DR	Industrial IP CCTV Self-Configured 4-port 10/100/1000Base-T (PoE+) + 2-port 1000Base-FX SFP Ethernet Switch
ET4222PpH-S-DR	Hardened IP CCTV Self-Configured 4-port 10/100/1000Base-T (PoE+) + 2-port 1000Base-FX SFP Ethernet Switch

### Optional Accessories (to be purchased separately)

<b>SFP</b>	(S)=SFP Option. Please select your SFP on our SFP Modules page at the back of the catalogue or our website <a href="http://www.ot-systems.com">www.ot-systems.com</a> for details.
<b>Power Supply</b>	Please refer to the power supply information at the back of the catalogue, our website <a href="http://www.ot-systems.com">www.ot-systems.com</a> , or consult OTS sales at <a href="mailto:sales@ot-systems.com">sales@ot-systems.com</a> for your power system design properly.

### Package Checklist

■ IP CCTV Self-Configured PoE Switch	x 1
■ Wall Mount Plates	x 1
■ DIN Rail Clip	x 1
■ Quick Installation Guide	x 1



OT Systems Ltd., Oct 2015

Due to continuous improvement, all product specifications are subject to change without further notice.