

ET24122Pp-S

Unmanaged 24-port 10/100Base-TX (PoE+) + 2-port 10/100/1000Base-T/SFP Combo Ethernet Switch



Features

General

- ▶ 24 10/100Base-TX + 2 10/100/1000Base-TX/SFP Combo with PoE+
- ▶ RJ45 10/100Mbps-Full/Half-duplex, Auto negotiation, Auto MDI/MDIX
- ▶ Combo RJ45 10/100/1000Mbps-Full/Half-duplex, Auto-negotiation, Auto MDI/MDIX
- ▶ Supports external SFP
- ▶ Supports 802.3x Flow control
- ▶ Supports 4K MAC address
- ▶ 2.75M bits frame buffer memory
- ▶ 19" 1U Rack-mount
- ▶ AC power input
- ▶ 0°C to 50°C (32°F to 122°F) operating temperature

Warranty

- ▶ 5-Year Warranty



Unmanaged PoE Switches

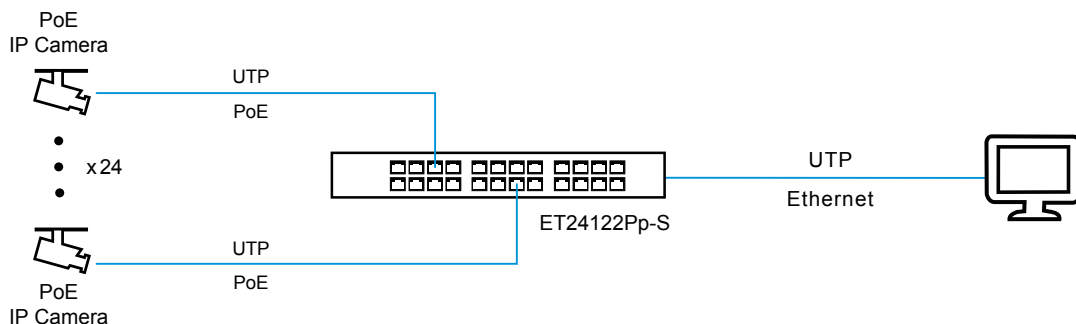
PoE Switches

Ordering Information

Model	Description
ET24122Pp-S	Unmanaged 24-port 10/100Base-TX (PoE+) + 2-port 10/100/1000Base-T/SFP Combo Ethernet Switch

SFP Options	■ (S) = SFP option. Please select your SFP on our SFP Option page. ■ SFP module is to be purchased separately.
Mounting Options	■ 19" 1U Rack Mount.
Power Options	■ 100-240VAC input.

Typical Application



Specifications

Ethernet

Standards:	IEEE802.3 10Base-T
	IEEE802.3u 100Base-TX
	IEEE802.3ab 1000Base-T
	IEEE802.3z 1000Base-X
	IEEE802.3at
Packet Buffer Memory:	2.75Mbits
Processing Type:	Store-and-forward
Forward Filter Rate:	14,880pps (10Mbps)
	148,800pps (100Mbps)
	1,488,000pps (1000Mbps)
Max. Packet Length:	1536 Bytes
Address Table Size:	4K MAC Addresses
Connector:	26xRJ45
Optical Port:	2 x SFP 1000Base-X

Environmental

Operating Temperature:	0°C to 50°C (32°F to 122°F)
Relative Temperature:	-20°C to 75°C (-4°F to 167°F)
Storage Humidity:	5% to 95% non-condensing
MTBF:	> 100,000 hrs

Electrical and Mechanical

Input Power:	100~240VAC, 50/60Hz
Power Consumption:	Max 7W / System no-load
	Max 12W / System Full-load
PoE:	
Standard:	IEEE802.3at
Port:	RJ45 Port 1 ~ Port 24
Mode:	Alternative B Mode
Per Port Power:	30W
Max PoE Power:	390W (24 Port share)
LED Indicators:	
Power:	Power Status
Ethernet(Per Port):	Link/Activity, Speed
SFP(Per Port):	Link/Activity
Dimensions (WxDxH):	433 x 350 x 44 mm
Weight:	3.4Kg
Casing:	Metal Case
Mounting Options:	Rack Mount

Regulatory Approvals

ISO9001, CE, FCC, RoHS
 EMI
 EN55022:2010+AC: 2011, Class A
 EN 61000-3-2: 2006+A1: 2009+A2: 2009
 EN 61000-3-3: 2013
 EN55024:2010
 EMS
 IEC 61000-4-2: 2008 (ESD)
 IEC 61000-4-3: 2010 (RS)
 IEC 61000-4-4: 2012 (EFT)
 IEC 61000-4-5: 2014 (Surge)
 IEC 61000-4-6: 2013 (CS)
 IEC 61000-4-8: 2009 (PFMF)
 IEC 61000-4-11: 2004 (Voltage dips/variatioins)



OT Systems Ltd., May 2015

Due to continuous improvement, all product specifications are subject to change without further notice.

