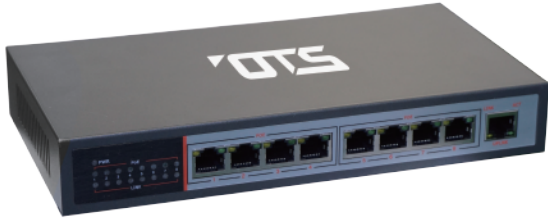


EC9100P

Econ-line Unmanaged 8-port 10/100Base-TX (PoE) + 1-port 1000Base-T Ethernet Switch



Features

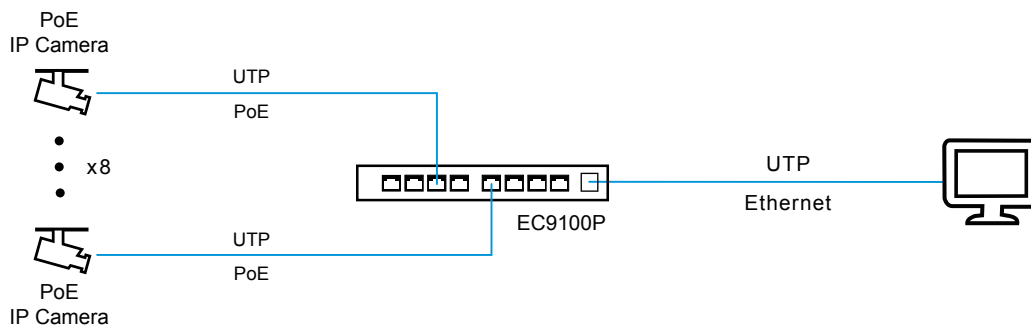
- ▶ Supports IEEE802.3af PoE (15.4W per port)
- ▶ Supports Auto-Negotiation and Auto MDI/MDI-X
- ▶ Supports Store-and-Forward Transmission
- ▶ Supports overload protection and non-PoE device detection



Warranty

- ▶ 1-Year Warranty

Typical Application



Specifications

Ethernet

Standards	IEEE802.3 10Base-T IEEE802.3u 100Base-TX IEEE802.3ab 1000Base-T IEEE802.3x Flow Control IEEE802.3af Power over Ethernet
Processing Type	Store-and-Forward
Forward Filter Rate	14,880pps (10Mbps) 148,800pps (100Mbps) 1,488,000pps (1000Mbps)
Switch Fabric	3.6 Gbps
Cabling	10Base-T: Cat5 or above 100Base-TX: Cat5 or above
Maximum Distance	Cat5 UTP up to 100m
Connector	9 x RJ45 (P1~P8: PoE)

Electrical and Mechanical

Input Power	48VDC, 2A, DC Socket
Power Consumption	2A Max.
LED Indicators	
Power	PWR (Power Status)
10/100TX (per port)	LINK/Activity, PoE Power Injected (P1-P8)
1000TX	LINK/Activity

Specifications

PoE	
Standard	IEEE802.3af
Port	RJ45 Port 1~Port 8
Mode	Alternative A Mode
	Positive (VCC+): RJ45 Pin 1,2
	Negative (VCC-): RJ45 Pin 3,6
Max. Power per port	15.4W Per Port
Dimensions (W x D x H)	225 x 121 x 35 mm
Weight	0.8 Kg
Casing	Metal Case
Mounting options	Desktop

Environmental

Operating Temperature	0°C to 40°C (32°F to 104°F)
Storage Temperature	-10°C to 70°C (14°F to 158°F)
Relative Humidity	10% to 90% non-condensing
MTBF	> 100,000 hrs

Regulatory Approvals

ISO9001
FCC
CE

Ordering Information

Available Model	Description
-----------------	-------------

EC9100P	Econ-line Unmanaged 8-port 10/100Base-TX (PoE) + 1-port 1000Base-T Ethernet Switch
----------------	--

Package Checklist

■ Unmanaged PoE Switch	x 1
■ 48VDC, 2A External Power Adapter with US, UK, EU, or AU type on request	x 1
■ Quick Installation Guide	x 1

