

Synthesized Intelligent PIR with D/N camera

SIP-3020CAM DN



The SIP-3020CAM DN in the REDWATCH-V Series consists of a high-reliability synthesized intelligent PIR and a high-quality camera unit.

Misalignment of the camera angle and the detection area potentially poses a serious problem for video monitoring. It results in the detector being triggered for no apparent cause even though the installers may have believed that they had made installation with the proper alignment.

High quality camera with varifocal lens can be adjustable to get preferable view.

REDWATCH-V perfectly aligns the camera view angle with the detection area so that every alarm can be visually verified.

For new installation of video surveillance system, it is an ideal product.

FEATURES

- Intelligent PIR detection system
 - Detection of ambient temperature and illuminance for automatic sensitivity management
 - Advanced detection algorithm
 - Three dual pyro-elements with patented Double Conductive Shielding
- Anti-vandalism functions
 - Anti-rotation function with 3-axis accelerometer
 - Anti-masking function with photo-beam
 - Reinforced polycarbonate housing
 - Max. 4m (13ft.) installation height
- Independent sensitivity selector for near/far areas
- Detection logic selector
- Detection range selector
- Independent outputs N.C. and N.O.
- Alarm interval time
- High-quality camera image: Day (colour)/Night(B/W)
- 480 TV lines
- Varifocal lens 3-9mm
- Minimum illumination: Day(colour)0.5 lx, Night (B/W):0.03 lx
- BS8418 Compliant - U.K.

OPTIONS

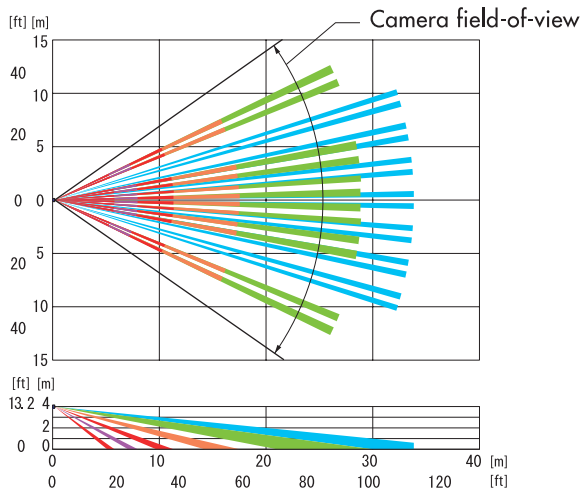
- AVF-1 Area View Finder
- OPM-WT Audio Walk Tester

SPECIFICATIONS

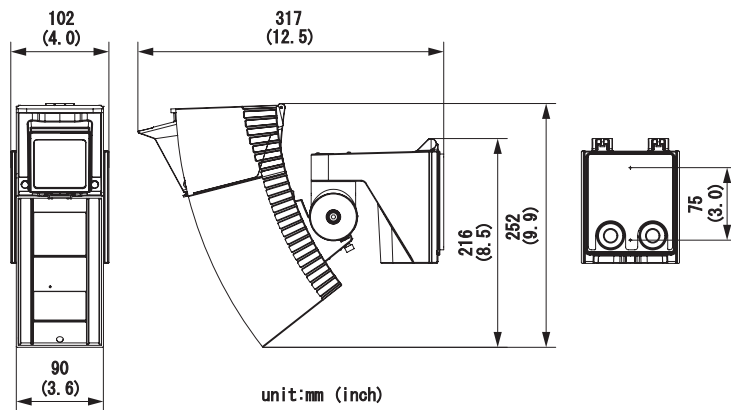
Model	SIP-3020CAM DN	SIP-3020CAM DN
Version	EU	US
Detection method	Passive infrared	
Coverage	30 x 20 m (100 x 65 ft.)	
Power input	12 VDC	
Current draw	180mA (12 VDC)	
Mounting height	2.3 to 4 m (7.6 to 13 ft.)	
Sensitivity selector	Far: SH/H/M/L, Near: SH/H/M/L	
Range selector	Far: On/Off	
Alarm output	N.O., N.C. 28 VDC 0.2A max.	
Alarm interval period	Off/15, 30, 60 sec.	
Trouble output	N.C., 28 VDC 0.2 A max.	
Tamper output	N.C., 28 VDC 0.1 A max.	
Alarm period	Approx. 2 sec.	
Warm-up period	Approx. 60 sec.	
Image sensor	1/3" CCD (PAL)	1/3" CCD (NTSC)
TV line	480TVL (at wide position)	
Resolution	PAL 752 H x 582 V	NTSC 768 H x 494 V
Lens	f= 3 to 9mm, varifocal,DC auto iris lens F1.2	
Minimum illumination	Day (colour) : 0.5 lx (F1.2) Night (B/W) : 0.03 lx (F1.2)	
Video output	1.0Vpp/75Ω/ BNC connector, PAL	1.0Vpp/75Ω/ BNC connector, NTSC
Operating temperature	-25 to +60°C (-13 to +140°F)	
IP rating	Main unit:IP65 Chassis:IP55	
Dimensions (H x W x D)	252 x 102 x 317 mm (9.9 x 4.0 x 12.5 in.)	
Weight	1.5 kg (52 oz)	

* Specifications and design are subject to change without prior notice.

DETECTION AREA



DIMENSIONS



OPTEX CO., LTD.
(JAPAN)
 (ISO 9001 Certified)
 (ISO 14001 Certified)
 5-8-12 Ogoto
 Otsu, Shiga, 520-0101
 Japan
 Tel : +81-77-579-8030
 Fax: +81-77-579-7190
 URL: <http://www.optex.co.jp/e>

OPTEX INCORPORATED
(USA)
 13661 Benson Ave.
 Bldg. C. Chino CA 91710
 U.S.A.
 Tel : +1-909-993-5770
 Fax: +1-909-628-5560
 URL: <http://www.optexamerica.com>

OPTEX (EUROPE) LTD.
(UK)
 (ISO 9001 Certified)
 Clivemont Road, Maidenhead,
 Berkshire, SL6 7BU
 UK
 Tel : +44-1628-631000
 Fax: +44-1628-636311
 URL: <http://www.optexeurope.com>

OPTEX SECURITY SAS
(FRANCE)
 475 Rue Monique et Mario Piani
 69480 Ambérieux d'Azergues
 France
 Tel : +33 437 55 50 50
 Fax: +33 437 55 50 59
 URL: <http://www.optex-security.com>

OPTEX SECURITY Sp.z o.o.
(POLAND)
 ul. Bitwy Warszawskiej 1920 r.
 7B, 02-366 Warszawa,
 Poland
 Tel : +48-22-598-06-60
 Fax: +48-22-598-06-61