

# AX-70T/130T

## INFRARED PHOTOELECTRIC BEAM

Twin beam photoelectric detectors, designed for short-range outdoor or long-range indoor applications.

Using twin beams of pulsed infrared energy, reliable operation is possible in the worst conditions – up to 99% of the emitted radiation can be blocked by rain, fog or falling snow and the beams will still operate.

By utilising an automatic gain control circuit, gradual changes in signal strength caused by weather conditions are continually monitored and the trigger level adjusted accordingly to compensate. In addition, the unique anti-frost design allows for trouble-free operation when the cover is completely frosted over.

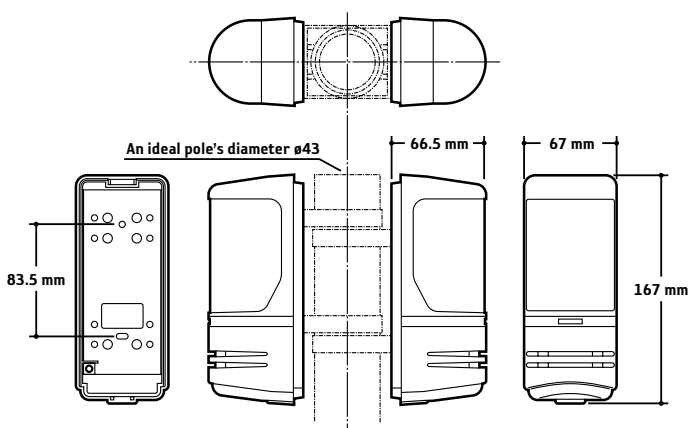
### FEATURES

- **Adjustable beam interruption time - long interruption time catches an intruder but allows a small animal to pass through.**
- **Twin beams require simultaneous interruption to create activation.**
- **99.5% beam blocking stability**
- **Easy installation and alignment using viewfinder for rough alignment and voltage meter jacks for fine-tuning.**
- **Sealed optics to prevent ingress of insects and dust.**

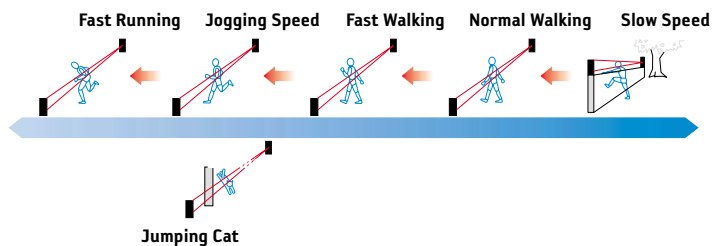
### RANGES

	Indoors	Outdoors
AX-70T	50m	21m
AX-130T	100m	40m

### DIMENSIONS



### ADJUSTABLE TIMING



### SPECIFICATIONS

								
10.0 - 30.0V DC	AX-70T - 35mA AX-130T - 30mA	-25°C	+55°C	690g	Alarm Output N.C. 28V, 0.2A (max.)	Tamper N.C.	Pole Mount	Wall Mount