

X-DOME

Reshaping Dome Technology –The New Range of Fully Functional Dome cameras- and more...

Fed-up with incompatible kit? Too many different keyboards on your desk?

When we at Richardson designed the new range of domes we had a number of key factors in mind. We wanted the right product for you the customer, at the right price and with the right features. Also it must be a range of products to cover all requirements.

Check out this feature list.

- 22x zoom colour or 23x colour/mono camera options.
- Internal in ceiling or internal/external Pendant/wall mount
- 80 presets
- Optional Alarm Handling Interface.
- 4 Programmable Preset Tours
- 4 Programmable Patterns
- Auto Flip
- Titles for Camera, Zones, tours, preset tours.
- On screen positioning information (also feedback on telemetry)
- Video over UTP or coax as standard.
- Privacy Masking (**not all models)
- Ultra-Low light frame integration.
- Option of Dummy dome housing..
- Password protected OSD which is accessible from most major controllers and DVR's.
- Fully interchangeable camera modules eg. fixed, 22x, 23x zoom
- **Unique Option of 'NO-ZOOM dome with Fixed camera, OSD and pan/tilt control (at fixed camera prices)**

**MULTI-PROTOCOL OPTIONS eg

VCL, Pelco P, Pelco D, Pelco Coaxitron, Molynx, Vicon, Diamond, Ultrak, Kalatel, Lilin, Philips, AD/sensormatic..and more.

(**check your requirement BEFORE ordering to confirm.)

Password protected OSD which is accessible from most major controllers and DVR's.

Fully interchangeable/upgradeable. – Got a fixed dome want to upgrade to a PTZ dome – then just change the drive module .



Warranty 3years(see conditions)



X-DOME

RICHARDSON ELECTRONICS LIMITED

226 Berwick Avenue
Slough
Berkshire

Inspring House
Searby Road
Lincoln
LN2 4DT

TRY THIS..

Our Unique **NO-ZOOM** dome!

Fixed Camera option to match domes.- Use our unique pan/tilt mini-dome module inside and you have a 'NO-ZOOM dome' still with OSD presets, tours and Pan/Tilt control.- But for the cost of a fixed camera and lens.

Telephone
01753 671666 01522 515012

Fax
01753 733013 01522 545453

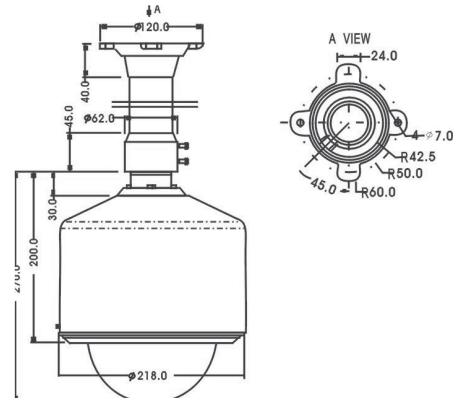
TECHNICAL SPECIFICATIONS

DOME SPECIFICATIONS

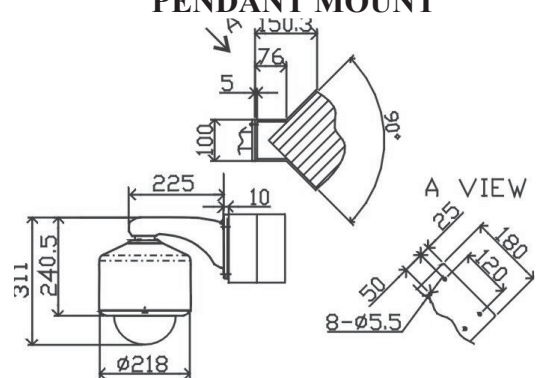
- Manual Pan Speed : 0.5deg-140deg / second
- Preset Pan Speed : 240deg/ second
- Tilt Speed : 0.5-90deg/ second
- Preset Tilt Speed : 140deg/ second
- Supply Voltage : 24vac
- Power : 16W (indoor)/ Max. 40W (outdoor)
- Weight Max. 4.3kg
- Diameter : 218mm (internal pendant style)
- Diameter : 240mm (external pendant style)
- Height 308mm
- Operating Temperature 0deg – 60deg c (indoor)
-40deg – 60deg c (outdoor)
- Environmental humidity range : 0-95%
(non condensing)

Camera Specification.

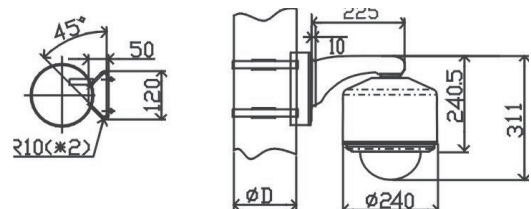
Model	22X colour only	23X col/mono
	SANYO CAMERA	HITACHI CAMERA
Sensor	1/4" CCD	1/4" CCD
Scan		2:1 Interlace
Resolution	>470tvl	>470tvl, 550tvl
Sensitivity	0.1lux	0.1lux, 0.01lux
Iris	Auto/Manual	
Focus	Auto/Manual	
Zoom	22x optical	8x digital 23optical
	8digital	
Zoom length	4-88mm	3.6-82.8mm
Backlight	6 settings	
White Balance	Auto	
Gain Control	Auto	
S/N	>50dB	
Video Output	1.0p-p.	
Presets	80 presets	
Preset Tours	4 tours	
Patterns	4 patterns	
Auto Cruise		
Auto Scan		
Privacy Zones	4	



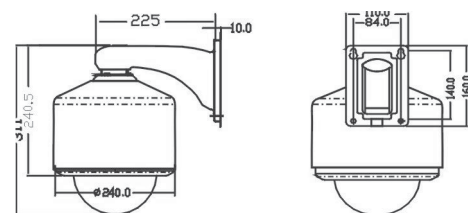
PENDANT MOUNT



CORNER MOUNT



LAMPPOST MOUNT



WALL MOUNT



INTERNAL IN CEILING



Distributed By
Richardson Electronics Ltd
226 Berwick Avenue, Slough. SL1 4QT
England