

7" Mobile LCD Monitor

Increase driver awareness and passenger safety



OVERVIEW

Increase driver awareness and protect passengers with the MobileView 7" LCD monitor, designed for mass transit fleets. Displaying multiple camera images from exit doors, side cameras, or internal passenger cameras, this 7" high resolution monitor ensures drivers will see clear images from all desired camera inputs for optimum security and operator confidence.

The MobileView 7" LCD high resolution monitor can be added to any fleet installation to help eliminate dangerous blind spots. Drivers are able to see images directly in front of them, reducing distractions and potentially costly accidents. Drivers can also increase passenger safety by making sure pedestrians are safely out of doors and away from the moving path of bicycles and cars before continuing on route.

To address the inevitable blind spots that exist in vehicles without rear windows, the LCD monitor can be combined with the MobileView rear camera to provide operators with distance and proximity data relative to other vehicles. The MobileView Monitor has a built-in, power-on feature activated during turns and reverses to help eliminate rear fleet collisions and traffic accidents, and facilitate easier, safer lane changes.

STANDARD FEATURES

- Advanced OSD menu for easy use
- Supports up to four CCD camera inputs
- Provides two video and one audio signal output (Live Out)
- Supports single/dual/triple/quad screen (Cam Out)
- Signal trigger for side/rear view
- Auto day and night control via photo diode sensor
- Auto detection for NTSC/PAL
- OSD control for individual normal/mirror camera image for every camera
- Auto power ON when vehicle turns or reverses
- Able to select CAM A/B/C/R's monitoring screen
- Professional metal case ensures performance even in the most demanding environment

7" Mobile LCD Monitor

Increase driver awareness
and passenger safety

Specifications

Pixel configuration	0.107 x 0.370
Viewing angle	UP:40 / Down:60 / Left:60 / Right:60
Power source	DC9.6V ~DC32V
Resolution	1440 (W) x 234 (H)
Contrast ratio	300:01:00
Active area	154.08(H) x 86.58(V)
Brightness	450 cd/m2
Screen size	7 Inch (diagonal)
Channel display	Full / POP / Triple / Quad

AV Audio In

Input audio signal level	1Vpp
Impedance	75 Ohms
Connector	BNC

Audio Live Out

Input signal level	1Vpp
Connector	BNC
Impedance	1k Ohms

CAM Out

Connector	BNC
Impedance	75 Ohms
Input signal level	1Vpp

Camera MINI DIN In

Power output for camera	DC12V (350mA Max)
Input audio signal level	1Vpp
Connector	BNC/Molex
Impedance	75 Ohms
Input video signal level	1Vpp

Composite Video In

Input signal	1Vpp
Impedance	75 Ohms
Connector	BNC

Composite Video Live Out

Input signal level	1Vpp
Connector	BNC
Impedance	75 Ohms

Dimensions

Dimension (WxHxD)	192 x 140.5 x 51.8mm
Weight	N.W./G.W.: 2kg/2.28kg

Environmental

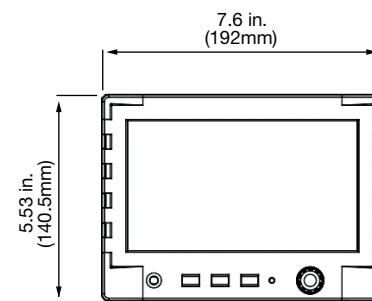
Operating temperature	-10°C~70°C (14°F ~ 158°F)
Storage temperature	-30°C~80°C (-22°F ~ 176°F)
Humidity	20-80%

Ordering Information

MVQ-MISC-MON7	7" LCD Monitor
MVQ-MISC-DB-480	Splitter Box

Dimensional Diagrams

Front View



Side View

