

Microphone

Capture maximum audio intelligibility from an inconspicuous microphone



OVERVIEW

The MobileView™ Microphone is a Pressure Zone Microphone® designed for mobile vehicle security and surveillance applications. It can be mounted in the ceiling or wall in a standard electrical outlet box. The MobileView Microphone is designed to be inconspicuous, like a light switch, with design features that maximize intelligibility.

The MobileView Microphone is powered by 12-24V DC. It has line-level output so it can be plugged directly into a DVR line input with no need for a microphone preamp.

Pressure Zone Microphones use the Pressure Recording Process.™ A miniature condenser microphone capsule is mounted very close to a sound-reflecting plate in a region called the “Pressure Zone.” In the Pressure Zone, source sound combines in-phase with reflected sound for wide, smooth frequency response, excellent clarity and “reach,” and consistent pickup, free of phase interference, anywhere around the microphone.

Low frequencies, below the voice range, are rolled off to reduce pickup of air conditioning and vehicle rumble. The high-frequency response is boosted slightly to aid clarity.

The microphone connector facilitates installation, and the output signal is designed to allow long cable runs without hum pickup or high-frequency loss.

STANDARD FEATURES

- Ideal design for security and surveillance in vehicles
- Designed specifically to capture clear, intelligible speech
- Low-impedance screw-terminal output
- Inconspicuous, light-switch-like design
- Line-level output

Microphone

North America
T 855-286-8889

Asia
T 852-2907-8108

Australia
T 61-3-9239-1200

Europe
T 32-2-725-11-20

Latin America
T 561-998-6114

Record speech with maximum intelligibility

Specifications

MobileView Microphone

Type	Pressure Zone Microphone
Element	Electret condenser
Frequency Response (typical)	80 Hz to 20,000 Hz. (See Figure)
Polar Pattern	Hemispherical
Impedance	75 ohms, balanced. Recommended minimum load impedance 1000 ohms
Open Circuit Sensitivity	1.4V/Pa* (+3 dB re 1V/Pa)
Power Sensitivity	+8 dBm/Pa*
Equivalent Noise Level (self-noise)	26 dB SPL typical (0 dB = .0002 dyne/cm ²), A-weighted
S/N Ratio	68 dB at 94 dB SPL
Maximum SPL	100 dB SPL produces 3% THD

Power Requirements

Input Power	12-24V DC
Current Drain	4 mA
Output Connector	Three screw terminals. 1 = ground, 2 = audio hot (in polarity), 3 = audio cold (opposite polarity)
Polarity	Positive pressure on the diaphragm produces a positive voltage on screw terminal 2 with respect to screw terminal 3.

Mechanical

Construction	Steel plate and high-impact plastic capsule holder
Dimensions	4.53 x 2.70 x 1.16 in. (115 x 70 x 29.5 mm)
Weight	2.5 oz. (71 g)
Paint Caution	May be painted. Make sure to first seal the opening between the microphone capsule and boundary plate (sound reflecting plate).

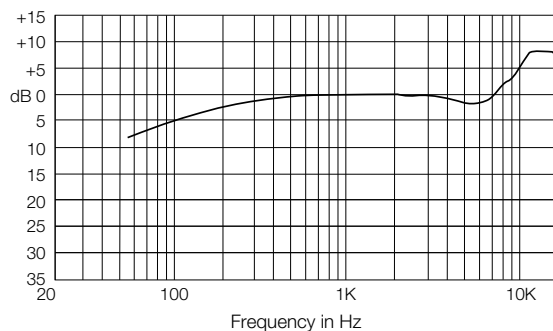
Environmental

Operating Temperature	14 ~ 140°F (-10 ~ 60°C)
-----------------------	-------------------------

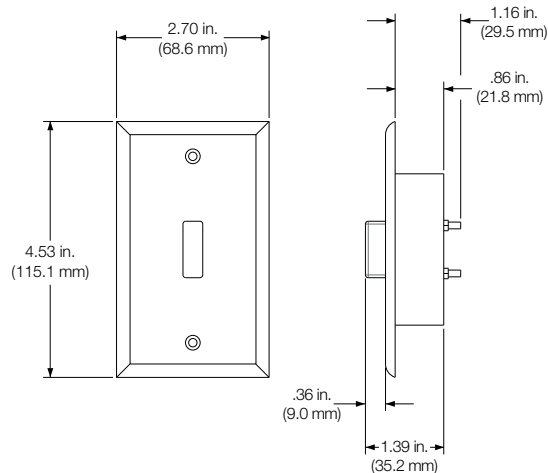
Ordering Information

MSS-4007-00-00	MobileView™ Microphone (white)
MSS-4007-BK-00	MobileView Microphone (black)

Frequency Response



Dimensional Diagram



interlogix.com

Specifications subject to change without notice.

© 2012 Interlogix.

All rights reserved.

Interlogix is part of UTC Climate, Controls & Security,
a unit of United Technologies Corporation.

210-3592 2012/10 (71365J)