

NDR891

Full HD 1080p, Fixed Indoor IR Dome Network Camera

1/3" 2MP Lumii sensor, 1080p, H.264/MJPEG/MPEG4 triple streaming, Tamron lens, 25M IR mechanical day/night, intelligent detection, PoE, ePTZ, micro SD/SDHC card slot, vandal-proof



The NDR891 is a high definition, day/night camera incorporating a 25M IR illuminator to show maximum detail in even the most extreme environments. Its uniform light intensity feature ensures objects can be captured in full detail without flares. H.264/MPEG4/MJPEG triple streaming provides more flexible video encoding selections. As part of MESSOA Smart IP products family, the NDR891 features intelligent detection capabilities including motion, audio, blur and network disconnection detection. It also supports local storage to micro SD/SDHC card to ensure nothing is missed in case the network goes down. Vari-focal, 3-axis and PoE features facilitate simple installation. Along with a water and vandal proof housing, the NDR891 is guaranteed to keep working no matter the conditions.

Features		
2MP Lumii sensor	TI DSP	Megapixel
H.264 MPEG4 MJPEG	Full HD	Smart Focus
Ethernet Detection	Audio Detection	Blur Detection
Motion Detection	Alarm	e-PTZ
0.06 Lux Minimum illumination	25M 82ft. Infrared illuminator	ICR
PoE	Video Out	2-Way audio
Micro SDHC Card	3 Axis Rotation	IP67 Water Proof
Vandal Proof	Heater	

■ Full HD 1080p Image

Clear and detailed full HD quality images in all conditions. Unlike traditional megapixel cameras, full HD offers higher resolutions and better frame rates at an international industry standard. Blurry images are reduced and individuals and objects of interest come through in perfect clarity.

■ Cost-saving H.264 Support

The NDR891 supports the H.264 compression standard. H.264 greatly reduces the size of video compared to MJPEG and MPEG4 without compromising image quality. Storage and bandwidth needs are reduced. Plus, H.264 is expected to become the video standard of choice, so your camera is future proofed.

■ PoE Facilitates Easy Installation

Built in support for Power Over Ethernet reduces cost and adds flexibility to the camera. A single cable connection is used to view, power, and control the camera. Installation cost are reduced since there is no need for separate cables.

■ Versatile Detection Capabilities

The NDR891 has a variety of intelligent detection functions, including motion, audio, blur and network disconnection detection. Event-specific monitoring enables you to receive alerts upon event and saves storage cost by only recording when a specific event happens.

■ Lumii™ II Technology

Our Lumii™ technology delivers high sensitivity images without blur. Lumii™ helps increase the sensitivity and reduces video noise in low light conditions. Night images become bright and clear.

■ ONVIF Compliant

ONVIF is an open industry forum for the development of a global standard for the interface of network video products. The NDR891 supports ONVIF thus allowing interoperability between network video products regardless of brand.

■ Uniform Light Intensity

The NDR891's IR LEDs produce smooth even light distribution across the seeing range as far as 25 meters (82 feet) away. Each part of a picture has uniformly high resolution and contrast from the center to the edges of the field. The full-field capture ensures you don't miss any detail.

■ Continuous No-Interruption Recording

Record JPEG images or video clips for several days with the built in micro SD/SDHC card slot for up to 32 GB. Keep recording and prevent data loss even when the network goes down. Moreover, the camera's built-in FTP server enables users to view the saved files conveniently from a remote site.

■ Vandal-Proof Housing

Certified to IP67, the die-cast aluminum alloy housing protects the camera against extreme weather and vandalism, making it perfect for outdoor surveillance.

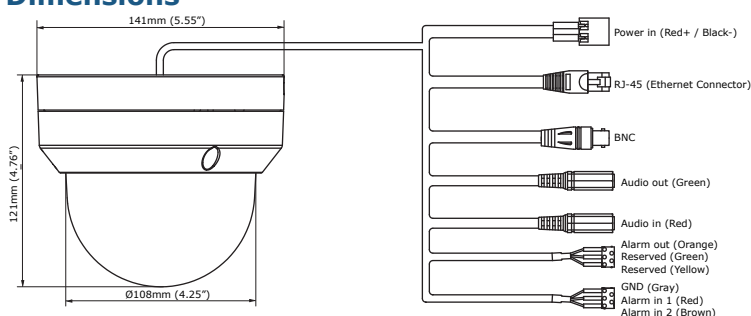
■ Climate Protection

An optional heater maximizes protection of surveillance equipment in extremely cold weather.

Specifications

Image System		
Image Sensor	1/3" 2 MP image sensor optimized for low-light performance	
Image Compression Method	Triple Streaming : H.264 / MPEG4 / Motion JPEG	
Maximum Framerate vs. Resolution	HDTV 1080p (1920x1080) at 15 fps (NTSC) and 12.5 fps (PAL), 2MP 16:9 (1280x720) at 30 fps (NTSC) and 25 fps (PAL)	
Lens	Built-in Mechanical IR Cut Filter varifocal lens f=3~9mm, F1.2 (Mega pixel lens)	
View Angle	H: 93°(Wide)~31.7°(Tele)/V:68.4°(Wide)~23.8°(Tele)	
View Angle Adjustment	Pan:0°-355°(Max.), Tilt:10°-90°(Max.), Rotate:0°-355°(Max.)	
Electric		
Shutter Time	1/10,000s to 1/3.75s selectable (60Hz); 1/10,000s to 1/3.125s selectable (50Hz)	
Audio	Two-way Mono Audio, Full-duplex, G.711 PCM 8kHz	
Alarm	External input	
Day/Night Mode	Mechanical (ICR) D/N control; Auto / Forced BW/ Forced Color/ External	
Minimum Illumination	IR LED OFF: 0.06 Lux @10IRE; 0.24Lux @50IRE (shutter speed: 1/15sec) IR LED ON: 0lux	
IR LED	IR LED 20pcs(850nm)	
IR Distance	25 meters (82 ft.)	
IR turn on status	Under 10 lux by auto control	
LED Life	More than 10,000 hours (50°C)	
Video Port	BNC X1, 1.0Vp-p, 75Ω / RCA x 1	
Video Output	NTSC: 720 X 480 @30fps; PAL: 720 X 576 @25fps	
Image Enhance	Exposure Mode: Auto/Manual White Balance: Auto/Manual, Backlight Compensation: 5x5 zones, Sharpness, saturation, brightness, contrast: 255 level sensitivity	
Feature Brief		
Digital WDR	Yes; 5 level sensitivity	
Privacy Zone	Yes; customized threshold privacy zone	
Intelligent Video	Audio detection / Blur detection / Ethernet Detection/ Smart Encoding/ Smart Focus/ e-PTZ/ Event Management	
Alarm Detection	Motion Detection: 5 x 5 zones, 5 level sensitivity or customized threshold, Audio Detection: 5 level sensitivity or customized threshold, Blurt Detection: customized threshold, External Input	
Alarm Event	File upload via FTP, SMTP and micro SD/SDHC Card, Notification via email, HTTP and TCP, External output activation, Video and audio recording to micro SD/SDHC Card	
Text Overlay (to be developed)	Yes	
Image Orientation	Mirror, Flip	
Other	Snapshot	
Local Storage		
Memory Card	Micro SD/SDHC Card up to 32 GB	
SD Card Overwrite	Yes	
SD Card Store Category	Alarm / Motion / Schedule / Un-interrupt recording	
Power supply		
Power Requirement	DC 12V & AC 24V ± 10% / PoE (IEEE 802.3af) Class 3	DC24V/AC24V± 10%
Power Connector	Screwless Terminal block	
Power consumption (Max.)	8W	8 W (heater off), 20 W (heater on)
Environment		
Operating Temperature	-10°C ~ 50°C (-14°F ~ 122 °F)	-40°C ~ 50°C (-40°F ~ 122 °F)
Operating Humidity	10~ 90% RH	
Storage Temperature	-20°C ~ 60°C (-4°F ~ 140 °F)	
Regulatory	CE, FCC, RoHS	
Network		
Ethernet	10Base-T/100Base-TX Ethernet connection for LAN / WAN, RJ-45	
Internet Protocol	IPv4, TCP/IP, UDP, HTTP, SMTP, DNS, DHCP, NTP, FTP, RTP,RTSP, ICMP, UPnP	
Browser	IE browser 6.0 or above	
I/O connector		
Alarm Port	Terminal block 2 in / 1 out	
Audio In / Out port	3.5mm Phone Jack x 2	
Reset	Within 5 sec for rebooting system; more than 5 sec for loading default	
Mechanism		
Dimensions(ΦxH)	Φ141mmx 121mm (Φ5.55" x 4.76")	
Weight	1.3kg (2.87 lb)	
Protection Class	IP67, vandal-proof	
Option	Without Heater	With Heater
Order Information	NTSC model: NDR891-HN5-MES; PAL model: NDR891-HP5-MES	NTSC model: NDR891H-HN5-MES; PAL model: NDR891H-HP5-MES
Accessory		
Mount Type	Surface mount: standard package support, Pedent mount: thread 1", Wall mount:Bracket SAB755BP	

Dimensions



2011.02.11 version.

MESSOA reserves the right to update this datasheet at any time without notice.

MESSOA USA e-mail: info.us@messo.com//MESSOA Taiwan e-mail: info@messo.com