

VideoSphere

MEGAPX



The **VideoSphere® MegaPX NanoDome** from March Networks® is a low-profile, fixed indoor/outdoor IP camera that combines high-definition (HD) video resolution with flexible video streaming, packaged in a sleek, unobtrusive housing designed for inconspicuous surveillance.

HIGH DEFINITION WITH REAL-TIME FRAME RATE

The MegaPX NanoDome offers megapixel resolution in HDTV format, along with H.264 and M-JPEG compression streams in real time (up to 30 fps @ 1920x1080p). Its advanced CMOS progressive scan sensor technology provides outstanding images in challenging lighting conditions by automatically adjusting white balance to ensure accurate color reproduction.

SYSTEM INTEGRATION

The MegaPX NanoDome seamlessly integrates with March Networks Command¹ or VideoSphere Video Management System (VMS) software and hybrid NVRs. The camera is ONVIF-compliant, allowing it to be used with a variety of third-party systems.

VIDEO STREAMING

The camera's support for H.264 compression technology results in up to 20 times the efficiency of comparable JPEG-based IP cameras. This allows for archiving of higher-quality video for longer periods of time, while significantly reducing bandwidth and storage costs. The MegaPX NanoDome can stream at 30 fps at maximum resolution, and record video independently to an optional microSD High Capacity (microSDHC) card or to a Network Attached Storage (NAS) device. In addition, the camera can accommodate dual H.264 and M-JPEG streams simultaneously in real time to address different live or recording applications.

BUILT-IN REDUNDANCY

The MegaPX NanoDome can record a video stream in parallel to an internal microSDHC card or to a NAS device to provide redundant recording in the event of a network outage or server failure. When the camera is used with March Networks Command or VideoSphere VMS software and hybrid NVRs², an innovative Shadow Archiving feature provides seamless access to redundant video for total fail-safe management. It does this by forming a "shadow" on the central recording server of all the data available on the camera and NAS devices.

ECONOMICAL AND FLEXIBLE

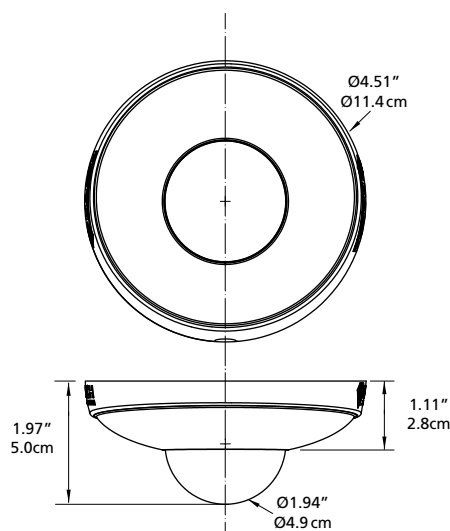
Power over Ethernet (PoE) simplifies the installation of the camera by eliminating the need for additional cables for power. The camera is quick and easy to install, and the pan/tilt position of the lens can be manually adjusted, which makes for a more flexible application.

FEATURES

- **HD** 1080p video quality for high resolution color and clarity
- Compact, discreet design
- Progressive scan CMOS sensor
- 4.0 mm fixed lens with 78° horizontal angle of view
- Shadow Archiving™ with microSDHC or NAS
- Simultaneous H.264 and M-JPEG compression streams
- Surface mount
- Easy to install; manual positioning of lens for flexibility
- Power over Ethernet

PART NUMBERS

- MEGAPXNANOD4



VideoSphere MegaPX NanoDome

Technical Specifications

CAMERA

Image Sensor	1/2.7" CMOS Progressive Scan
Lens	4.0 mm fixed lens Horizontal angle of view: 78°
Minimum Illumination	Color: 0.3 lux / F1.5
Shutter Time	1/10000 s to 1 s
Camera Angle Adjustment	Pan 170°, Tilt 0 – 90°
Pan/Tilt/Zoom	Digital pan, tilt and zoom via VideoSphere SiteManager and Command

VIDEO

Video Compression	H.264, M-JPEG
Resolution	Up to full HD 1080p
Frame Rate	
H.264	Up to 30 fps @ 1920x1080p
M-JPEG	Up to 30 fps @ 1920x1080p
Video Streaming	Dual H.264 streaming ³ Simultaneous H.264 and M-JPEG Controllable frame rate and bandwidth CBR H.264 and VBR M-JPEG (quality settings)
Image Settings	Brightness, exposure, contrast, white balance, saturation, hue, privacy mask via VMS, motion detection

NETWORK

Security	Password protection, connection management, LDAP authentication, HTTPS encryption (configuration only)
Supported Protocols	ONVIF, RTP, RTSP, RTCP, HTTP, HTTPS, IPv4, TCP, UDP, DHCP, ARP, LDAP

SYSTEM INTEGRATION

Intelligent Video	Video motion detection
Alarm Triggers	On motion

GENERAL

Housing	Aluminum casing IP66 rating (NEMA 4X)
Power	Power over Ethernet IEEE 802.3af Class 2; less than 7W
Connectors	Female RJ-45 100BASE-TX PoE (IP66/NEMA 4X rated)
Local Storage	microSDHC memory card (not included)
Operating Conditions	-4 to 122°F / -20 to 50°C 10 – 90% Relative Humidity non- condensing
Regulatory Approvals	UL 60950-1; CE – EMC Directive; 2004/108/EC; Standards EN55022; EN55024; FCC Part 15 Subpart B; ICES-003; RoHS Directive (2002/95/EC); C-Tick
Mechanical	
Weight	0.4 lb / 0.2 kg
Dimensions (HxD)	1.97 x 4.51 in. / 5.0 x 11.4 cm
Included Accessories	Housing removal tool, software CD (including Installation Guide and User Manual, VideoSphere SiteManager, and VideoSphere Browser)



NOTES: ¹March Networks Command available in early 2011
²Shadow Archiving not available with March Networks 4000 C Series NVR or 3204 DVR systems.
³Maximum 720p on stream 1; maximum D1 on stream 2.

PN 060-3074-00-B

North America ————— 1 800 563 5564
Latin America ————— +1 613 591 8181
Europe, Middle East and Africa ————— +39 0362 17935
Asia Pacific ————— +61 1300 089 419

www.marchnetworks.com

March Networks EMEA
Via Lavoratori Autobianchi, 1
Edificio 23
20033 Desio - Milano - ITALY
Phone: +39 0362 17935
Fax: +39 0362 1793590

March Networks
Corporate Headquarters
303 Terry Fox Drive
Ottawa, Ontario - CANADA K2K 3J1
Phone: +1 613 591 8181
Fax: +1 613 591 7337