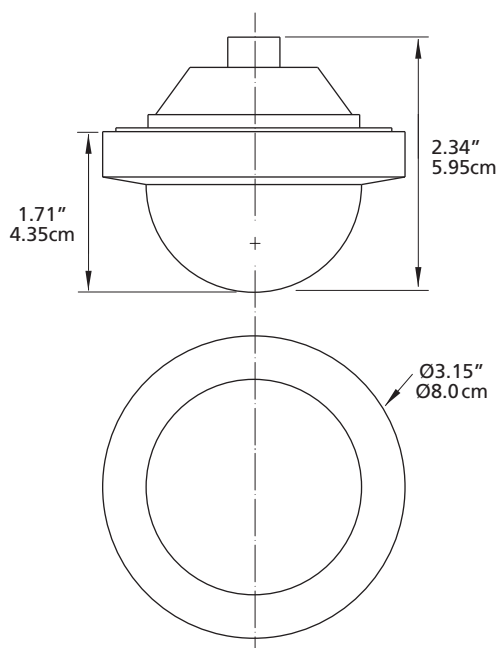


# Mobile IR MicroDome

Interior IR dome for mobile applications



The **Mobile IR MicroDome** from March Networks<sup>®</sup> is ideal for surveillance inside any bus or light rail vehicle. Its compact, vandal-resistant design makes it ideal for small interior spaces, and impervious to vandalism. The ruggedized housing protects the camera from dust and moisture, and is built to withstand the harsh transit environment of bus and rail vehicles, including wide temperature swings and humidity. The camera's infrared LEDs enable it to see in virtual darkness, plus it delivers color images in normal lighting, and switches to black and white in low-light conditions.



## Key Benefits

- ▼ **See clear images in the dark.** The camera's True day/night capabilities and dual high-powered IR LEDs provide clear video, even when the interior vehicle lights are off.
- ▼ **Exceptional Wide Dynamic Range (WDR).** See all the detail despite the bright light and glare from windows.
- ▼ **Get the perfect viewing angle.** The dome is available in a variety of lens configurations, so no matter what your area of coverage or the degree of detail you require, we have a lens that will meet your needs.
- ▼ **Protected from surroundings.** A compact, vandal-resistant dome cover prevents passengers from tampering with the camera.
- ▼ **Wide temperature ranges.** To ensure the camera is reliable in all-seasons, it can withstand temperatures as low as -13°F (-25°C), and as high as to 131°F (55°C).

*Get clear video of all of the action inside the bus, even when the lights are off or the sunlight is streaming in.*

# Mobile IR MicroDome

## CAMERA

<b>Image Sensor</b>	1/3" CMOS WDR, 2D-DNR, flicker automatic cancellation
<b>Wide Dynamic Range</b>	True Multi Exposure WDR @ 120dB
<b>Lens</b>	Fixed M12, f1.2, 2.9mm, 3.6mm, 4.3mm, or 6mm, fixed lens
<b>Day/Night</b>	TDN
<b>IR Cut Filter</b>	Auto D/N switch
<b>Minimum Illumination</b>	1.2 Color: 1.9 lux f.1.2 B/W: 0.08 lux f.1.2 With IR: 0 lux
<b>Signal-to-Noise Ratio</b>	58dB
<b>Shutter Time</b>	
<b>NTSC</b>	1/60s – /66,000s
<b>PAL</b>	1/50s – /52,000s
<b>Sync System</b>	Internal

## VIDEO

<b>Effective Pixel Count</b>	976(H) x 496(V)
<b>Horizontal Resolution</b>	650 TVL
<b>Image Settings</b>	Optimized for in-vehicle operation

## ELECTRICAL

<b>Power</b>	DC 12 V
<b>Power Consumption</b>	Max 2.3W (IR LED on)

## GENERAL

<b>Construction</b>	Polycarbonate transparent cover Vandal-resistant aluminum housing IP66
<b>Connectors</b>	Video: BNC
<b>Operating Conditions</b>	-4° to 131°F / -20° to +55°C <90%, non-condensing
<b>Storage Temperature</b>	-40° to 194°F / -40° to +90°C
<b>Weight</b>	0.44 lbs / 0.2 Kg
<b>Included Accessories</b>	Surface mount extension ring, sponge extension ring pad, mounting screws, mounting anchors, installation wrenches

## REGULATORY

<b>EMC</b>	FCC Part 15 Subpart B; ICES-003; EN55022; EN50130-4, 2004/108/EC
<b>Shock/Vibration</b>	MIL-STD-810, SAE J1455
<b>Others</b>	ROHS, WEEE

## ORDERING INFORMATION

30077	Mobile IR MicroDome (2.9mm lens)
30078	Mobile IR MicroDome (3.6mm lens)
30079	Mobile IR MicroDome (4.3mm lens)
30080	Mobile IR MicroDome (6.0mm lens)

