

# ME4 Box Camera

4MP camera with High Dynamic Range (HDR), auto backfocus, and choice of P-Iris lenses



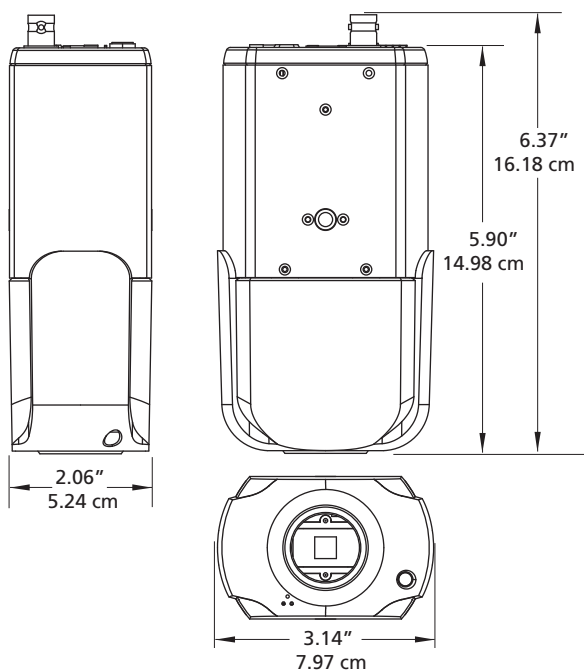
Shown with wide to medium-range varifocal lens



Shown with optional environmental housing



For customers who prefer the flexibility of a box camera and need to monitor activity in a variety of lighting conditions, the **ME4 Box Camera** delivers HDR, True Day/Night, and 4MP resolution to guarantee superior image quality, regardless of lighting. In addition, the camera's vandal-resistant environmental housing enables customers to extend surveillance coverage to the outdoors in conditions as low as -40°F (40°C).



## Key Benefits

- ▼ **4MP resolution.** Twice the amount of pixels as 1080p, 4MP delivers the perfect amount of detail to see facial features, bill dominations, etc.
- ▼ **Save money on storage and bandwidth.** The camera's low bit rate (LBR) setting reduces storage and bandwidth usage by 50% or more in most applications; streams can drop below 1Mbps at 4MP (15 fps).
- ▼ **High Dynamic Range (HDR).** The camera blends the best parts of several separate exposures together to combine the most focused, well-lit, and colorful parts of the scene.
- ▼ **Auto backfocus.** Once the field-of-view has been adjusted manually, the backfocus can be fine-tuned remotely.
- ▼ **P-Iris.** The enhanced video clarity and depth of field offered by the P-Iris allows objects close to and far away from the camera to remain in focus, simultaneously.
- ▼ **True Day/Night.** When the light level drops lower than a particular threshold (defined by the user), the camera's IR cut filter is removed and it automatically switches to B/W, allowing it to see details at very low light levels.
- ▼ **Choose an optional ME4 certified P-Iris lens for maximum performance.** Available in 2.8-8mm and 8.5-50mm packages.
- ▼ **Hallway mode.** To capture vertically-oriented scenes, such as hallways and corridors, the camera provides a 90° rotation so images are created vertically, maximizing the field of view in narrow situations.

*Select your lens of preference to get the perfect field of view and detail for your application.*

# ME4 Box Camera

CAMERA	
<b>Image Sensor</b>	1/3" Progressive Scan CMOS
<b>Effective Pixels</b>	4MP; 2688 (H) x 1520 (V)
<b>Lens</b>	33160-102: 4MP, 2.8-8mm, F1.2 (wide) or F1.95 (tele), P-iris, varifocal, CS mount 33160-103: 4MP, 8.5-50mm, F1.6, P-iris, varifocal, CS mount
<b>Field of View</b>	33160-102: 103° (Wide); 39° (Tele) 33160-103: 35° (Wide); 7° (Tele)
<b>High Dynamic Range (HDR)</b>	120dB
<b>Day/Night Functionality</b>	Automatically removable IR cut filter
<b>Minimum Illumination</b>	Color: 0.1 lux; B/W: 0.01 lux
<b>Shutter Speed</b>	1/10000s
<b>Pat/Tilt/Zoom</b>	RS485 Optical Zoom, Digital PTZ via Command
<b>White Balance</b>	Manual/Automatic

VIDEO	
<b>Video Compression</b>	H.264, M-JPEG
<b>Resolution</b>	4MP (2688 x 1520), 3MP, Full HD 1080p, SXGA, 720p, XGA, SVGA, D1, VGA, CIF
<b>Frame Rate</b>	Up to 25/30fps @ 4MP (2688 x 1520)
<b>Video Streaming</b>	
<b>Dual</b>	H.264 4MP (2688 x 1512) @25/30fps + H.264 D1 @ 25/30fps (one of the streams ≤2MP can be set as M-JPEG) H.264 Full HD (1920 x 1080) @ ≤25/30fps + H.264 Full HD (1920 x 1080) @ ≤25/30fps
<b>Quad</b>	H.264 4MP (2688 x 1512) @25/30fps + H.264 SVGA @ 15fps + H.264 CIF @ 15fps + H.264 CIF @ 15fps
<b>Image Settings</b>	Iris control, backlight compensation, white balance, noise reduction, wide dynamic range, privacy mask, brightness, exposure, sharpness, contrast, saturation, hue, IR configuration, day/night threshold

AUDIO	
<b>Audio Streaming</b>	Two-way
<b>Audio Compression</b>	G.711 PCM
<b>Audio Input/Output</b>	Line in/line out

NETWORK	
<b>Security</b>	Password protection, HTTPS encryption (configuration only), IEEE 802.1X
<b>Supported Protocols</b>	IPv4/v6, TCP/IP, UDP, RTP, RTSP, HTTP, HTTPS, DHCP, PPPoE, UPnP, QoS, ONVIF-S
<b>Interface</b>	RJ-45, 10/100Mbps Ethernet
<b>Internet Browser</b>	Internet Explorer (10+)

SYSTEM INTEGRATION	
<b>Alarms</b>	Two alarm inputs, one relay output
<b>Intelligent Video</b>	Video motion detection, active video tampering, privacy zones
<b>Alarm Trigger</b>	Motion detection, video tampering, external input
<b>Alarm Events</b>	Video recording to local storage (microSDXC, 64GB support), external output activation

GENERAL	
<b>Lens Mount</b>	CS Mount
<b>Power</b>	PoE (802.3 af, Class 0); 12VDC/24VAC
<b>Power Consumption</b>	3.64W typical SD Card: +0.6W
<b>LED Indicator</b>	Power, Link, ACT
<b>Connectors</b>	Auto Iris: P-Iris Alarm: Terminal Block Power: Terminal Block Ethernet: RJ-45 Analog Video: BNC Audio: Phone jack RS-485: Terminal block
<b>Local Storage</b>	microSDXC memory card up to 64GB (sold separately)
<b>Operating Conditions</b>	No Housing: -22° to 131°F (-30° to 55°C); 10-90% RH, non-condensing With Environmental Housing: -40° to 131°F (-40° to 55°C); 10-90% RH, non-condensing
<b>Weatherproof Standard</b>	IP66 (with Environmental Housing)
<b>Weight</b>	0.73 lb (0.33 Kg)
<b>Dimensions</b>	6.4 L x 3.1 W x 2.1 H in (16.2 L x 8.0 W x 5.2 H cm)
<b>Certification Model</b>	C2501A
<b>Regulatory Approvals</b>	Emissions: EN 55022: FCC Part 15 Subpart B, ICES-003, CISPR 22, AS/NZS CISPR 22 Immunity: EN 50130-4 Safety: UL60950-1, IEC60950-1 (CB report) Environmental: ROHS2, WEEE
<b>Included Accessories</b>	Software CD (including Installation Guide, Configuration Guide, and browser); Quick Start Guide; mounting template; mounting hardware

ORDERING INFORMATION	
<b>CAMERA</b>	
33168-101	ME4 Box Camera, no lens
33168-102	ME4 Box Camera with 2.8-8mm lens
33168-103	ME4 Box Camera with 8.5-50mm lens
<b>ACCESSORIES</b>	
HOWSCAMWB	Indoor Wall/Ceiling Mount
26481	Environmental Housing
26485	Wall Mount for Environmental Housing
26486	Ceiling Mount for Environmental Housing
26480	115/220VAC Power Supply for Environmental Housing

North America . . . . . 1 800 563 5564  
 Latin America . . . . . +5255 5259 9511  
 Europe . . . . . +39 0362 17935  
 Asia . . . . . +65 6818 0963  
 Australia and New Zealand . . . . . +61 1300 089 419  
 Middle East and Africa . . . . . +971 4 399 5525

© 2017. March Networks, An Infinova Company. All rights reserved. Information in this document is subject to change without notice. MARCH NETWORKS, March Networks Command, March Networks Searchlight, March Networks RideSafe, and the MARCH NETWORKS logo are trademarks of March Networks Corporation. Infinova is a trademark of Infinova Corporation. All other trademarks are the property of their respective owners. 060-3249-00-E [marchnetworks.com](http://marchnetworks.com)

