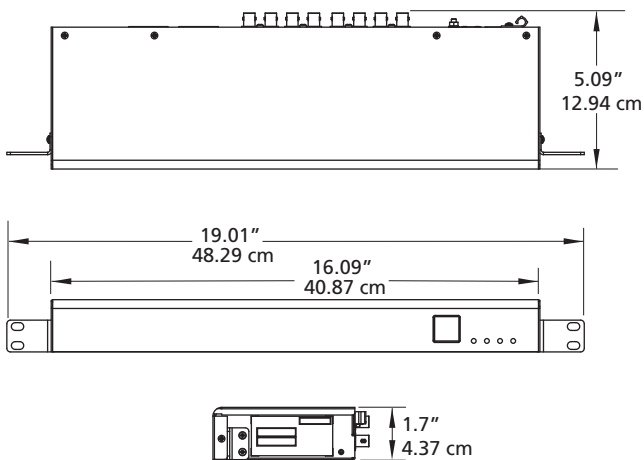


Edge 16e

High-performance 16-channel encoder



For customers who want the benefits of network video, but don't want to discard their existing analog equipment (e.g., analog cameras and coax cables), the **Edge 16e** seamlessly converts video from up to 16 analog cameras into digital video that runs on an IP network. Simply plug your analog cameras into the 16-channel encoder to convert them to an IP signal, and recognize all the benefits and advanced functionality offered by an IP network.



Key Benefits

- ▼ **Full frame rate across all channels.** This high-performance encoder delivers 30fps @ 4CIF for all 16 channels.
- ▼ **System integration.** The encoder works seamlessly with March Networks Command™ video management software and high-performance hybrid NVRs.
- ▼ **Built-in Shadow Archiving.** The encoder can record to on-board storage to ensure redundant recording in the event of a network outage or server failure. Then, once the connection to the recorder is restored, the March Networks Shadow Archive feature re-integrates the "missing" video and audio in the right spot (when the encoder is used with the Command Recording Server).
- ▼ **QR Code.** Use March Networks GURU smartphone app to scan the encoder's QR code for instant product information, like serial number, warranty information, etc.
- ▼ **Just one Command license.** A single license accommodates all 16 video channels, making the Edge 16e a compelling and affordable option for IP video migration in many enterprise environments.

Leverage your investment in analog cameras and migrate to all-IP networking, cost-effectively, and at your own pace.

Edge 16e

VIDEO

Video Compression	H.264, M-JPEG
Resolution	4CIF, 704 x 480 (NTSC) / 704 x 576 (PAL) 2CIF, 704 x 240 (NTSC) / 704 x 288 (PAL) CIF, 352 x 240 (NTSC) / 352 x 288 (PAL)
Frame Rate	up to 30 fps NTSC / 25 fps PAL
Video Streaming	Dual-stream H.264 and M-JPEG on all channels simultaneously Controllable frame rate and bandwidth CBR/VBR H.264; VBR M-JPEG (quality settings)
Image Settings	Brightness, contrast, sharpness, motion detection, privacy masks

AUDIO

Audio Streaming	Two-way, full-duplex
Audio Compression	G.711 PCM, G.726 ADPCM
Audio Input/Output	4 line in/1 line out

ALARM

Alarm Inputs	8 dry-contact inputs
Alarm Outputs	2

PTZ CONTROL

PTZ Control	1 RS-485
--------------------	----------

NETWORK

Security	Password Protection, LDAP Authentication, HTTPS encryption
Supported Protocols	RTP, RTSP, HTTP, HTTPS, IPv4, TCP, UDP, DHCP, ARP, LDAP

SYSTEM INTEGRATION

Intelligent Video	Video motion detection, active video tampering
Alarm Triggers	Motion detection, video tampering, external input
Alarm Events	Video recording to local storage, external output activation

GENERAL

Power	External 12VDC power supply
Power Consumption	10 Watts typical 24 Watts max
Connectors (see rear panel diagram below)	USB Network (RJ-45) Alarm/Audio/RS-485/RS-232 terminal blocks 16 BNC
Local Storage	One 240GB Solid State Drive (also available without storage)
Operating Conditions	32° to 104°F (0° to 40°C), 8–90% Relative Humidity, non-condensing
Weight	No drives: 3.18lbs (1.44kg) With one drive: 3.33lbs (1.51kg)
Dimensions	1.7in H x 19.01in W x 5.09in D (43.7mm x 482.9mm W x 129.4mm D)
Compliance Model	EDGE 16e
Regulatory Approvals	CE-EMC directive; 2004/108/EC; EMC Standards: EN55022; ICES-003, CISPR 22; AS/NZS CISPR 22 FCC Part 15 Subpart B EN61000-3-2:2014 EN61000-3-3:2013 EN 50130-4 Safety: UL/CSA/IEC 60950-1 Environmental: ROHS2, WEEE
Included Accessories	Software CD (including Installation Guide, Configuration Guide, and browser), rackmount brackets, rubber feet for desktop mounting
Optional Accessories	Spare storage, wall-mount kit

ORDERING INFORMATION

ENCODERS	
32628	16-Channel Encoder with no on-board storage
32628-101	16-Channel Encoder with built-in Shadow Archiving
ACCESSORIES	
32630	Spare storage for Shadow Archiving
32631	Wall mount kit



Edge 16e rear panel