



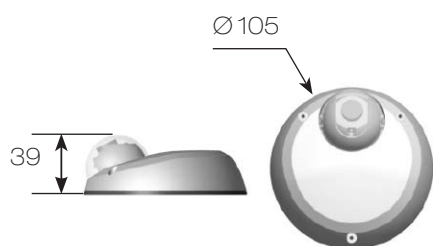
LILIN S Series cameras – SD2222 is best-in-class IP camera, designed for a variety of outdoor and indoor applications. From LILIN's powerful latest technology, the S Series cameras have an ultra fast frame rate of 60 FPS at 2 megapixel 1080P resolution, this results in crystal clear images. SD2222 camera is incorporated with a progressive scan MOS sensor with 0.1 lux at F1.6 capability, S Series cameras are able to capture fast moving objects during daytime. The S Series cameras support high performance H.264 and Motion JPEG compression technology, and offers smooth video quality up to 60 FPS at 1080P. Using 60 FPS at 2 megapixel 1080P resolution, can be particularly beneficial when viewing moving objects to ensure pictures are kept sharp.

FEATURES :

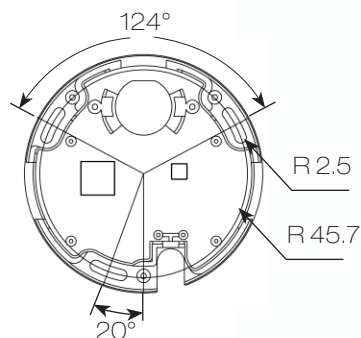
- Full HD 2.0 megapixel MOS image sensor
- 60 FPS @ 1080P True H.264 AVC High Profile video compression
- H.264 and Motion JPEG multi-profile video streaming
- 3D Noise Reduction (MCTF)
- HDR function up to 120dB
- Defog function
- Digital PTZ supported
- Tampering / Audio / Motion detection alarm function
- Built-in highly sensitive microphone
- One-way audio supported
- ONVIF supported

DIMENSIONS : (Unit : mm)

Ø105 x 39



INSTALLATION HOLE SITE DIAGRAM :



SPECIFICATION :

Name		1080P 60 FPS HD Dome IP Camera	
Model		SD2222E2	SD2222E4
Lens	Focal Length		2.8 mm
	Iris		F1.8
	Angle of View	H	105°
		V	87°
D		135°	
Pick Up Element		1/2.86" MOS image sensor	
Effective Pixels		1952 (H) x 1266 (V) = 2,471,232 (pixels)	
Scanning System		Progressive Scan	
Min. Illumination		0.2 Lux at F1.8	0.1 Lux at F1.6
White balance		Auto / Tungsten / Indoor / Fluorescents1 / Fluorescents2 / Outdoor1 / Outdoor2	
Back light compensation		Off / On	
Electrical Shutter		1/30(1/25)s - 1/30000s	
Sense up		Off / 1 Frame / 2 Frames	
Sense up +		Yes	
Auto gain control		54 dB Variable Gain	
3D Noise Reduction		Off / 1 - 32 Selectable	
2D WDR		Off / Auto / x2 / x3 / x4 (by normal mode)	
High Dynamic Range		Up to 120dB (by HDR mode, 2 shutter line interleave)	
Privacy Masking		Off / On (4 zones)	
Image Effects		Brightness, Contrast, Hue, Saturation, Sharpness, Mirror, Flip, Defog	
Operating Temperature		-25°C - +50°C (-13°F - 122°F)	
Dimension		Ø105 x 39mm	
Weight		310g	
Power Supply		DC12V ±10% / PoE (IEEE 802.3af compliant)	
Power Consumption		DC12V, 6W / PoE, 6.8W	

Network	
Video compression	
H.264 Main and High Profile , Motion JPEG	
Resolution	
1080P(1920x1080), 720P(1280x720), D1(720x480), CIF(352x240)	
Multiple profile	Profile #1
	Profile #2
Dual-stream mode, H.264 : up to 60 FPS @ 1920 x 1080, Motion JPEG : up to 30 FPS @ 720 x 480	
HDR mode, H.264 : up to 30 FPS @ 1920 x 1080 , Motion JPEG : up to 30 FPS @ 720 x 480	
Video Streaming	
RTP/HTTP, RTP/TCP, RTP/UDP, Multicast	
Video bitrate	
128Kbps - 12Mbps	
Frame rate and bit rate controllable on-the-fly	
VBR / CBR / GOP supported	
Security	
Base64 HTTP encryption	
Multiple user access levels with password protection	
10 user accounts available	
Users	
8 simultaneous users	
ePTZ & Digital zoom	
Yes, ROI is supported	
OSD	
Text overlay for date, time, and camera name	
Alarm function	
Motion / tampering / audio detection triggering recording into SD card	
Image upload over FTP and E-mail by tampering / audio / motion detection	
CPU, memory	
Embedded SoC, 1.2GHz Dual ARM Cortex-A9 & 600MHz ARM11, 1GB DDR3, 256MB flash memory	
Maintenance	
Firmware update via HTTP	
Firmware available at web site	
Network Interface	
10/100/1000 Mbps Base-T, RJ-45	
PC requirement	
OS : Windows 2000, Windows XP, Windows Vista, Windows 7, Windows 8	
Browser : Windows Internet Explorer 6.0 or above	
CPU : Intel Core 2 Duo E6400 2.13GHz or above	
RAM : 2GB or above, Independent Display Card	
Network protocols	
IPv4, IPv6, TCP, UDP, HTTP, SMTP, NTP, DDNS, UPnP, FTP, ARP, DHCP, PPPoE, DNS, RTSP, RTCP, Telnet, ICMP, IGMP, ONVIF Profile S, SNMP, SIP, Bonjour	
Mobile phone and PDA	
iPhone, iPad, and Android support	
System Integration	
ONVIF & LILIN HTTP API	
Central management system	
NAV 1.0 support	
Video display	
LILIN Universal ActiveX & LILIN Java Applet	
OS	
Embedded Linux 3.8.0	
One-way Audio	
G.711 / PCM	
SD card recording	
Support Micro SD/SDHC/SDXC card for circular recording (card is not included)	