

# KSR 3 SERIES

## KSR-304T

World's Best Company in Digital Video Recording  
Kodicom provides high quality display pictures with outstanding recording speed.



### Main Functions

**REAL TIME MONITORING**  
Simultaneous live images

**COMPACT PICTURE STORAGE**  
Images are compressed to an average file size between 2~10Kb per picture using MPEG4 Algorithm

**EASY PICTURE RETRIEVAL**  
Instant picture retrieval by date /time and camera number

**EVENT CONTROLLED RECORDING**  
Reduces the amount of data and automatically records specific events

**PICTURE TRANSMISSION OVER NETWORK**  
High quality picture transmission over PSTN, ISDN & LAN network

Digital Video Recorder(Non-PC based)

**KSR-304T** Hot

### Front/ Rear View

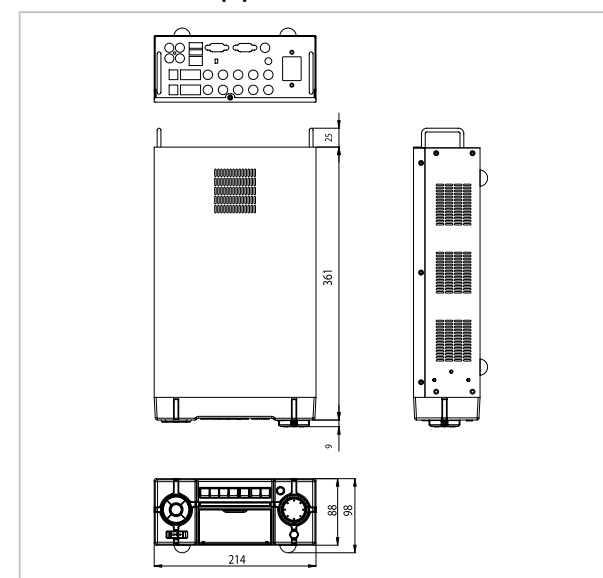
Front



Rear



### Outward Appearance



### Functions by Screen



WATCH SCREEN

PTZ SCREEN

SEARCH SCREEN

### Application

Some recommended installation areas are Securities Companies, Change Booths, Casinos, Pawnshops, Jewelers, Galleries, Exhibition Halls, Department Stores, Convenience Stores, Discount Offices, Hospital, Police Stations, Subway Stations, Airports, Banks etc.

### Features

- High Quality Realtime Display – Max. 120fps(NTSC) 100fps(PAL)
- High Quality and High Speed Recording – Max. 120fps(NTSC) 100(PAL)
- Various Resolutions on Display and Recording – 704×480, 704×240, 352×240(NTSC), 704×576, 704×288, 352×288(PAL)
- MPEG4
- 1, 4, Division
- Watchdog Function
- Kodicom, Pelco, Dennard, Bosch, Samsung and many more PTZ protocol included
- Watermark Function
- Remote Observation Through Network
- Emergency Screen Auto Transfer to Center Software
- User friendly Graphic User Interface

### Specifications

Model		KSR-304T
Display	Speed	NTSC : 120fps PAL : 100fps
	Screen Division	1, 4 Division
Recording	Max. Speed (@CIF)	NTSC : 120fps PAL : 100fps
	Resolution	NTSC : 704×480, 704×240, 352×240 PAL : 704×576, 704×288, 352×288
Video	Recording Option	Continuous, Motion, Sensor and Pre-Alarm
	Format	NTSC/PAL
	CODEC	MPEG4
	Input	4 ch
Audio	Output	CVBS, Spot out (1ch quad), VGA, S-Video
	CODEC	ADPCM
Alarm	Input	4 Ports
	Output	4 Ports
Network	Transmission	Ethernet (RJ45)
	Protocol	TCP/IP (support dynamic IP)
Backup	Device	USB, Network
Other Function	Remote Control	Remote Software (CMS)
	Remote Alarm	E-mail, CMS report
	PTZ	RS232C/485
	W/D Function	Yes
	Image Authentication	Watermark
	Language	10 Languages
	Password	Multi-Level User Password Authorization
USB	3 Port (USB2.0)	
Working Temperature	0°C ~ +50°C	
Power Source	AC 100 ~ 240V, 50/60Hz	
Dimensions	215mm(W) × 88mm(H) × 370mm(D)	
Weight (net)	5Kg (11lbs)	

※ Specifications subject to change without notice.