

KSR 3 SERIES

KSR-304N

World's Best Company in Digital Video Recording
Kodicom provides high quality display pictures with outstanding recording speed.



Main Functions

REAL TIME MONITORING
Simultaneous live images

COMPACT PICTURE STORAGE
Images are compressed to an average file size between 2~10Kb per picture using MPEG4 Algorithm

EASY PICTURE RETRIEVAL
Instant picture retrieval by date /time and camera number

EVENT CONTROLLED RECORDING
Reduces the amount of data and automatically records specific events

PICTURE TRANSMISSION OVER NETWORK
High quality picture transmission over PSTN, ISDN & LAN network

Front/ Rear View

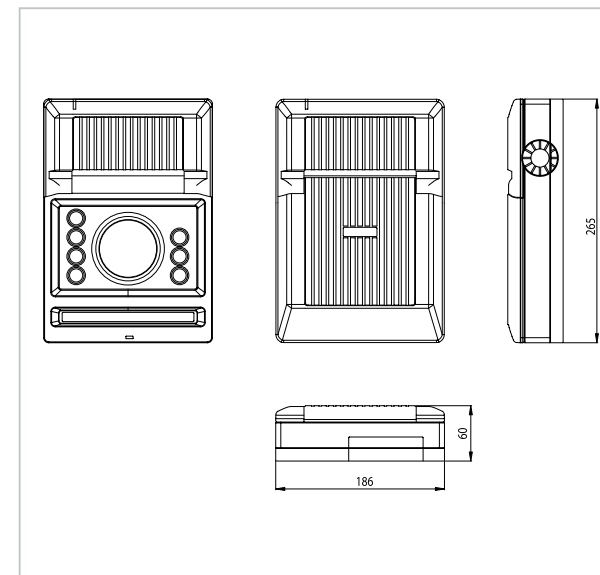
Front



Rear



Outward Appearance



Functions by Screen



WATCH SCREEN

PTZ SCREEN

SEARCH SCREEN

Application

Some recommended installation areas are Security Companies, Change Booths, Casinos, Pawnshops, Jewelers, Galleries, Exhibition Halls, Department Stores, Convenience Stores, Discount Offices, Hospital, Police Stations, Subway Stations, Airports, Banks etc.

KSR-304N

Hot

Features

- High Quality Realtime Display – Max. 120fps(NTSC) 100fps(PAL)
- High Quality and High Speed Recording – Max. 120fps(NTSC) 100(PAL)
- Various Resolutions on Display and Recording – 704×480, 704×240, 352×240(NTSC), 704×576, 704×288, 352×288 (PAL)
- MPEG4 compression
- 1, 4 Division
- Watchdog Function
- Kodicom, Pelco, Dennard, Bosch, Samsung and many more PTZ protocol included
- Watermark Function
- Remote Observation Through Network
- Emergency Screen Auto Transfer to Center Software
- User friendly Graphic User Interface

Specifications

Model		KSR-304N
Display	Speed	NTSC : 120fps PAL : 100fps
	Screen Division	1, 4 Division
Recording	Max. Speed (@CIF)	NTSC : 120fps PAL : 100fps
	Resolution	NTSC : 704×480, 704×240, 352×240 PAL : 704×576, 704×288, 352×288
Video	Recording Option	Continuous, Motion, Sensor and Pre-Alarm
	Format	NTSC/PAL
	CODEC	MPEG4
	Input	4ch
Audio	Output	7" Wide LCD (800×480), CVBS 1 Port (Quad)
	Input	1ch (line input)
	Output	1ch
Alarm	CODEC	ADPCM
	Input	2 Ports
Network	Output	2 Ports
	Transmission Protocol	Ethernet(RJ45) TCP/IP(support dynamic IP)
Backup	Device	USB, Network
Other Function	Remote Control	Remote Software (CMS)
	Remote Alarm	E-mail, CMS report
	PTZ	RS232C/485
	W/D Function	Yes
	Image Authentication	Watermark
	Language	10 Languages
	Password	Multi-Level User Password Authorization
USB	1 Port (USB2.0)	
Working Temperature		0°C ~ +40°C
Power Source		AC 12V, 50/60Hz (Adaptor included)
Dimensions		186mm(W) × 60mm(H) × 265mm(D)
Weight (net)		1.5Kg (5,94lbs)

※ Specifications subject to change without notice.