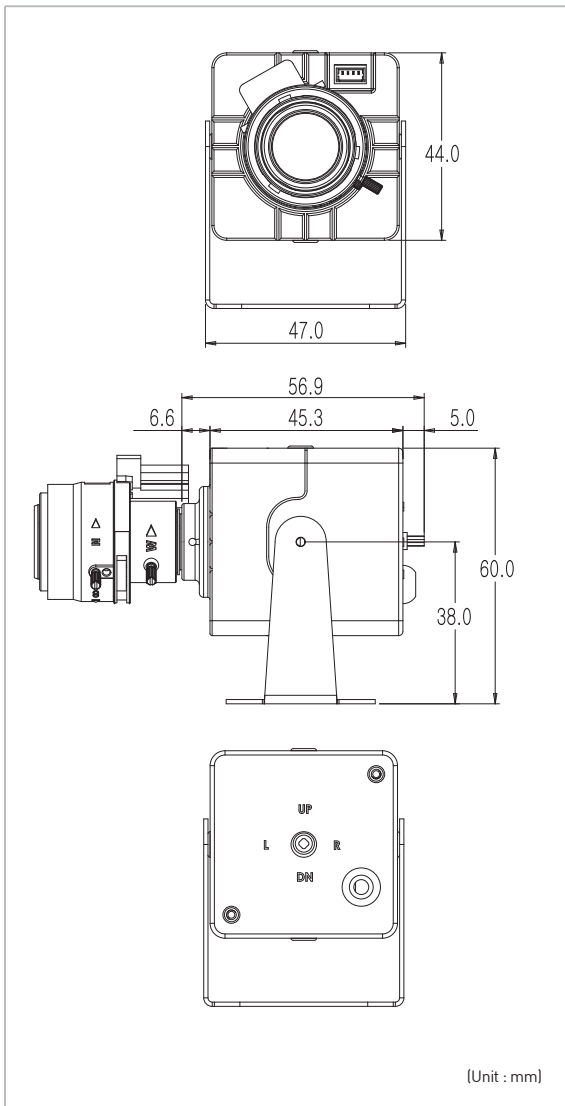


KM-100 Series(TDN & WDR Mini Cameras) | MINI CAMERAS



Outward Appearance



Features

- Wide dynamic range & True day night miniature camera
- High resolution picture quality through digital signal processor
- Wide voltage input operation
- Easy installation & operation

Lens Options

- FIXED BOARD LENS: 2.9MM, 3.6/3.7MM, 4.3MM, 6.0MM
- PHINHOLE LENS: 3.7MM, 4.3MM
- VARIFOCA LENS: 4-9MM, 3.3-12MM

Specifications

General Spec	KM-CB100		KM-CB100T	
	NTSC	PAL	NTSC	PAL
Sensor	1/3" CMOS (Wide Dynamic Range sensor)		1/3" CMOS (Wide Dynamic Range sensor)	
H.Resolution	480		480	
Scanning system	525 Lines interlaced	625 Lines interlaced	525 Lines interlaced	625 Lines interlaced
Video output	Composite (1.0Vp-p), 75Ω		Composite (1.0Vp-p), 75Ω	
Synchronization	Internal / Line Lock		Internal / Line Lock	
Electronics iris	1/60 ~ 1/100,000	1/50 ~ 1/100,000	1/60 ~ 1/100,000	1/50 ~ 1/100,000
Light sensitivity	0.5Lux, With F1.2 50IRE		0.5Lux, With F1.2 50IRE	
Gamma	0.45		0.45	
S/N Ratio	48dB		48dB	
Input voltage	DC10-20V, AC20-28V		DC10-20V, AC20-28V	
OSD Control	OSD Control		OSD Control	
Power consumption	MAX 2.9[W]		MAX 2.9[W]	
Operating temperature	-10°C ~ +55°C		-10°C ~ +55°C	
Storage temperature	-20°C ~ +70°C		-20°C ~ +70°C	
Operating Humidity	90% RH (non-condensing)		90% RH (non-condensing)	
Connection	Video	BNC Cable		BNC Cable
	Power	DC JACK		DC JACK
Dimension	47(W) X 44(H) X 56.9(D)		47(W) X 44(H) X 56.9(D)	
Weight	127g(Without Lens)		127g(Without Lens)	
Certification	CE/FCC		CE/FCC	