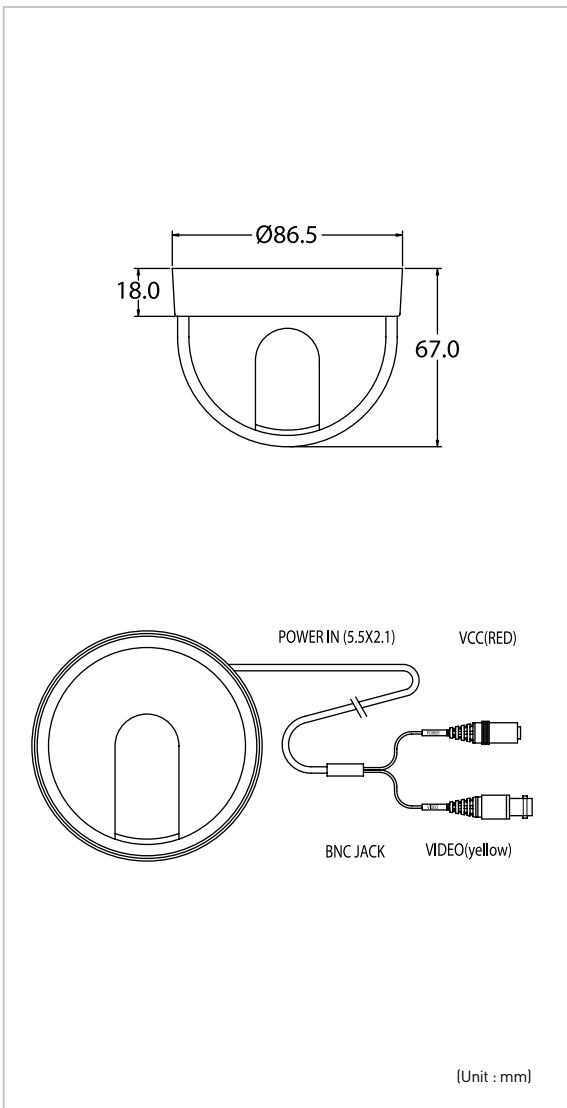


KD-L37 (Mini Dome) | DOME CAMERAS



■ Outward Appearance



■ Features

- 1/3" 270K Pixels color SONY CCD applied to ensure high image quality of Horizontal Resolution of over 330TV
- Mini Dome Camera with Refined Design
- S/N Ratio 45dB and over
- Equipped with backlight compensation function (BLC)
- Equipped with Automatic white balancing (AWB)
- Equipped with Electronic light control (ELC)
- Color option : White, Black
- 3.7mm lens is mounted on the optical LPF holder

■ Specifications

General Spec	KD-L37	
	NTSC	PAL
CCD Type	1/3", 270K Pixels color	1/3", 320K Pixels color
Total No. Pixels	537(H) × 505(V)	537(H) × 597(V)
Scanning System	525Lines	625Lines
Horizontal Resolution	330 TV Lines	
Sensitivity to Light	0.6 Lux with F1.2 Lens	
Gamma Correction	0.45	
Shutter Speed	1/60~1/100,000	1/50~1/100,000
Synchronization	Internal	
S/N Ratio	0.45dB Over	
Video Output	1.0Vp~p/75 Ohm Composite	
Lens Mount	3.7mm (M9)	
Video Output	Video Output	BNC
	Power	DC Jack
Operating Temperature	-10°C ~ +55°C (Air Humidity Max 85%)	
Voltage	12V/DC	
Power Consumption	Max 0.65 (W)	
Dimension	86.5(Ø) × 67.0(H)mm	
Weight	250g	