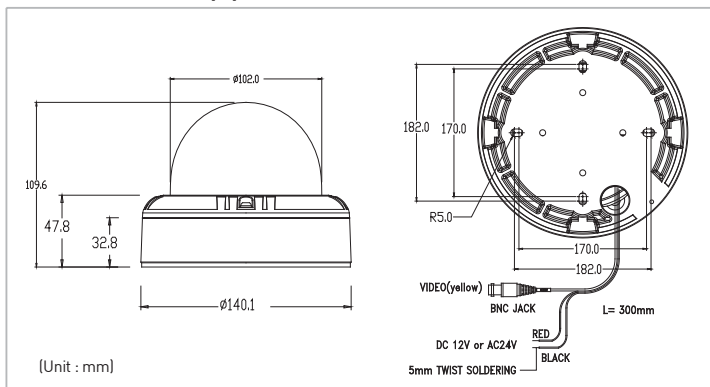


KD-CV980, 9100 Series (Vandal Dome Camera) | DOME CAMERAS



Outward Appearance



Features

- 3-AXIS / 90° TILT DOME
- High resolution picture quality through digital signal processor
- Superior Wide Dynamic Range
- Second video output
- OSD Control (KVD-CB100 Series)
- Protection against rain and wind (IP66)
- CS mount capability
- DC Varifocal lens
- Wide voltage input operation
- Easy installation & operation

Lens Options

- FIXED BOARD LENS: 3.6 MM
- VARIFOCAL LENS: 4-9MM, 3.3-12MM

Specifications

General Spec	KD-CV980W	KD-CV9100W	KD-CV980WP	KD-CV9100WP
Sensor	1/3" Interlaced color CCD (Double speed CCD)	1/3" CMOS (Wide Dynamic Range sensor)	1/3" Interlaced color CCD (Double speed CCD)	1/3" CMOS (Wide Dynamic Range sensor)
H.Resolution	480	480	480	480
Scanning system	NTSC PAL	525 Lines interlaced 625 Lines interlaced	525 Lines interlaced 625 Lines interlaced	525 Lines interlaced 625 Lines interlaced
Video output	Composite (1.0Vp-p), 75Ω			
Synchronization	Internal / Line Lock			
Electronics iris	NTSC PAL	1/60 ~ 1/100,000 1/50 ~ 1/100,000	1/60 ~ 1/100,000 1/50 ~ 1/100,000	1/60 ~ 1/100,000 1/50 ~ 1/100,000
Light sensitivity	0.2Lux, With F1.2 30IRE	0.5Lux, With F1.2 50IRE	0.2Lux, With F1.2 30IRE	0.5Lux, With F1.2 50IRE
Gamma	0.45	0.45	0.45	0.45
S/N Ratio	46dB	48dB	46dB	48dB
Input voltage	DC8.0-18[V]	DC10-16[V]	DC10-20[V], AC20-28[V]	DC10-20[V], AC20-28[V]
OSD Control	N/A	OSD Control	N/A	OSD Control
Power consumption	MAX 2.4[W]	MAX 2.1[W]	MAX 3.5[W]	MAX 2.9[W]
Operating temperature	-10°C ~ +55°C	-10°C ~ +55°C	-10°C ~ +55°C	-10°C ~ +55°C
Storage temperature	-20°C ~ +70°C	-20°C ~ +70°C	-20°C ~ +70°C	-20°C ~ +70°C
Operating Humidity	90% RH (non-condensing)			
Connection	Video Power	BNC Cable DC JACK	BNC Cable DC JACK	BNC Cable Wire Type
Dimension	140.1(∅) X 109.6mm			
Weight	245g			
Certification	CE/FCC			