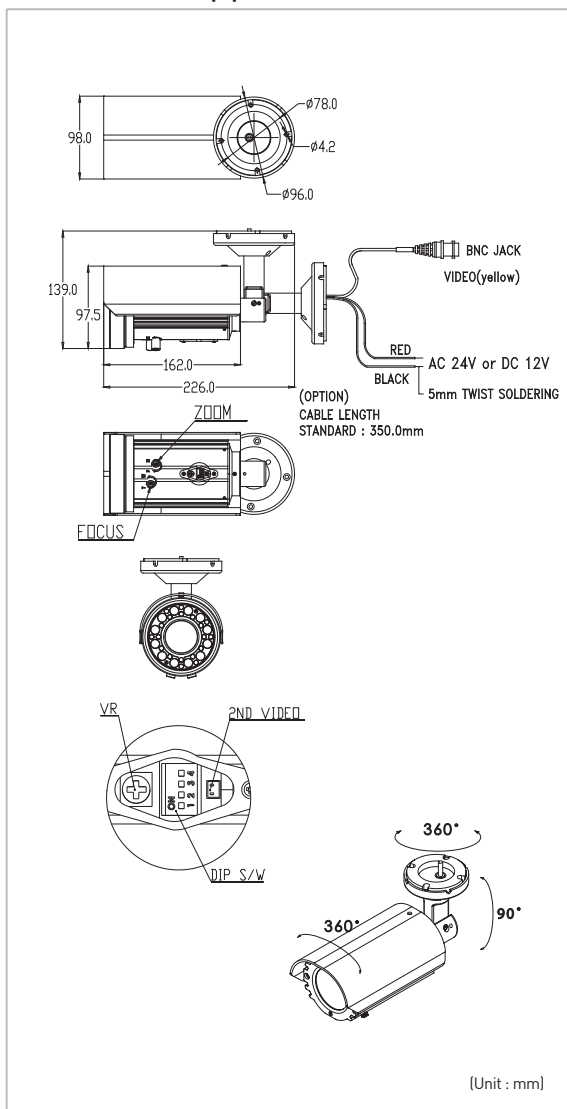




■ Outward Appearance



■ Features

- IR Lamp Synchronizing (CDS sensor)
- High resolution picture quality through digital signal processor
- Wide voltage input operation
- Easy installation & operation
- Protection against rain and wind (IP66)
- Heater function
- Second video output
- IR-Corrected DC Iris Lens

■ Lens Options

- VARIFOCAL LENS: 5-50MM

■ Specifications

| General Spec | KB-V72IR | |
|-----------------------|-----------------------------------|----------------------|
| | NTSC | PAL |
| Sensor | 1/3" Interlaced color CCD | |
| H,Resolution | 550 | |
| Scanning system | 525 Lines interlaced | 625 Lines interlaced |
| Video output | Composite (1.0Vp-p), 75Ω | |
| Synchronization | Internal / Line Lock | |
| Electronics iris | 1/60 ~ 1/100,000 | 1/50 ~ 1/100,000 |
| Light sensitivity | COLOR→B/W: 4Lux, B/W→COLOR: 10Lux | |
| Gamma | 0.45 | |
| S/N Ratio | 48dB | |
| Input voltage | DC10-20[V], AC20-28[V] | |
| Power consumption | MAX 14.4[W] | |
| Operating temperature | -10°C ~ +55°C | |
| Storage temperature | -20°C ~ +70°C | |
| Operating Humidity | 90% RH (non-condensing) | |
| Connection | Video | BNC Cable |
| | Power | 2P WIRE |
| Dimension | 226.0(Ø) X 98mm | |
| Weight | 245g | |
| Certification | CE/FCC | |