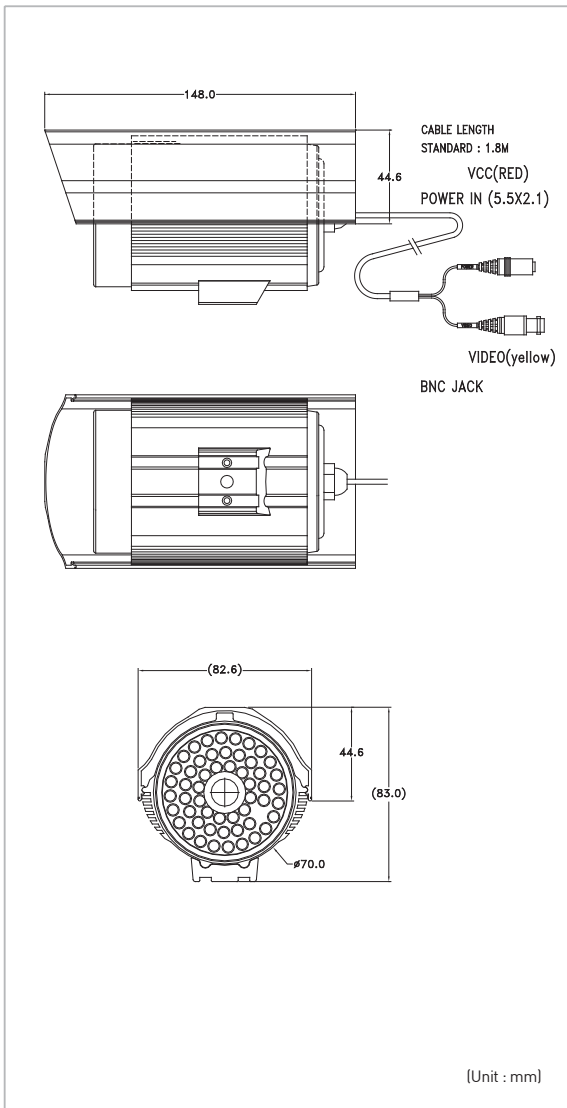


KB-7042 Series (Color IR Camera) | COLOR IR CAMERAS



■ Outward Appearance



■ Features

- IR Lamp Synchronizing (CDS sensor)
- High resolution picture quality through digital signal processor
- Wide voltage input operation
- Easy installation & operation
- Out door body

■ Lens Options

- VARIFOCAL LENS: 4-9MM

■ Specifications

General Spec	KB-7042	
	NTSC	PAL
Sensor	1/3" Interlaced color CCD	
H,Resolution	480	
Scanning system	525 Lines interlaced	625 Lines interlaced
Video output	Composite (1.0Vp-p), 75Ω	
Synchronization	Internal	
Electronics iris	1/60 ~ 1/100,000	1/50 ~ 1/100,000
Light sensitivity	0Lux (LED ON)	
Gamma	0.45	
S/N Ratio	46dB	
Input voltage	DC8.0-18[V]	
Power consumption	MAX 6.96[W]	
Operating temperature	-10°C ~ +55°C	
Storage temperature	-20°C ~ +70°C	
Operating Humidity	90% RH (non-condensing)	
Connection	Video	BNC Cable
	Power	DC JACK
Dimension	148,0(Ø) X 82,6mm	
Weight	845g	
Certification	CE/FCC	