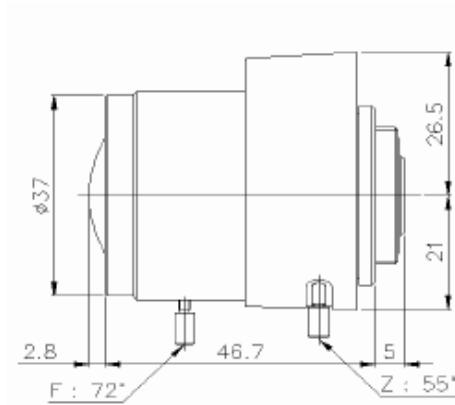


Kawaden CCTV LENS

KV0308DIR

**The most helpful High-Speed F=1.0
3.0 - 8.0mm IR corrected lens**

**Aspherical IR corrected Vari Focal Lens
3.0 - 8.0 mm F1.0 -360
DC Auto Iris**



Specifications

Model No.	KV0308DIR	Flange Back Length	12.5 mm
Focal Length	3.0 - 8.0 mm	M.O.D.	0.3m
Max. Aperture Ratio	1:1.0 - 360	Dimensions	37.0(W) x 47.5(H) x 49.5(L) mm
Image Format	1/3 inch	Weight	63.9g
Mount	CS mount	Operating Temperature	-10°C - +50°C
Operation	Iris	DC Auto (F1.0-360)	
	Focus	Manual	
	Zoom	Manual	
Angle of View (1/3")	D	119.6° - 44.8°	
	H	92.5° - 35.8°	
	V	68.1° - 26.8°	

Specifications are subject to change without notice

Kawaden Co., Ltd.