

The ioProx Readers



Multi-Function Proximity Readers

With 4 new **ioProx** readers to choose from, you will find one that's right for your application! Their attractive, compact and weatherized design makes them suitable for installation in various indoor and outdoor environments.

Features

- Up to 1000' (300m) UNSHIELDED Cable
- Up to 6" (15cm) Read Range
- Indoor/Outdoor
- Bicolor LED
- Piezo
- Optional Command Buttons
- Optional Tamper Switch

The **ioProx** reader electronics are vandal and weather resistant, and are encapsulated in epoxy. All readers have an integrated piezo buzzer and bicolor LED indicating system/reader status. Optional tamper switch and command button modules are available.

UNSHIELDED Cable

The **ioProx** readers can be installed using #22AWG UNSHIELDED cable to a distance of up to 1000' (300m) from the controller. Using this type of cable significantly reduces installation costs.

Integrated Command Buttons (P200XSF and P400XSF)

An optional integrated command button module can be added to the P200XSF and P400XSF models. The two buttons are form "C" contacts that can be used to perform different functions such as arming/disarming an alarm panel, serving as a doorbell when connected to a buzzer, etc.

Voltage Requirements

The readers accept a voltage of 5 to 14 VDC and can be used with virtually any controller on the market. This will allow a system to be upgraded simply by changing the readers and cards, without needing to recable.

XSF Security

XSF format readers are only compatible with Kantech software products. The readers recognize over 137 billion unique codes. Using Kantech's XSF cards (eXtended Secure Format) provides increased security and absolute guarantee against card duplication.

Easy Installation

The **ioProx** readers' small size provides flexibility for mounting: they can be installed on walls, door mullions, or single and double gang boxes.

Read Range

The read range increases with reader size. Depending on the model selected and the environmental conditions, the read range varies from up to 4" (P100XSF) to up to 6" (P400XSF).

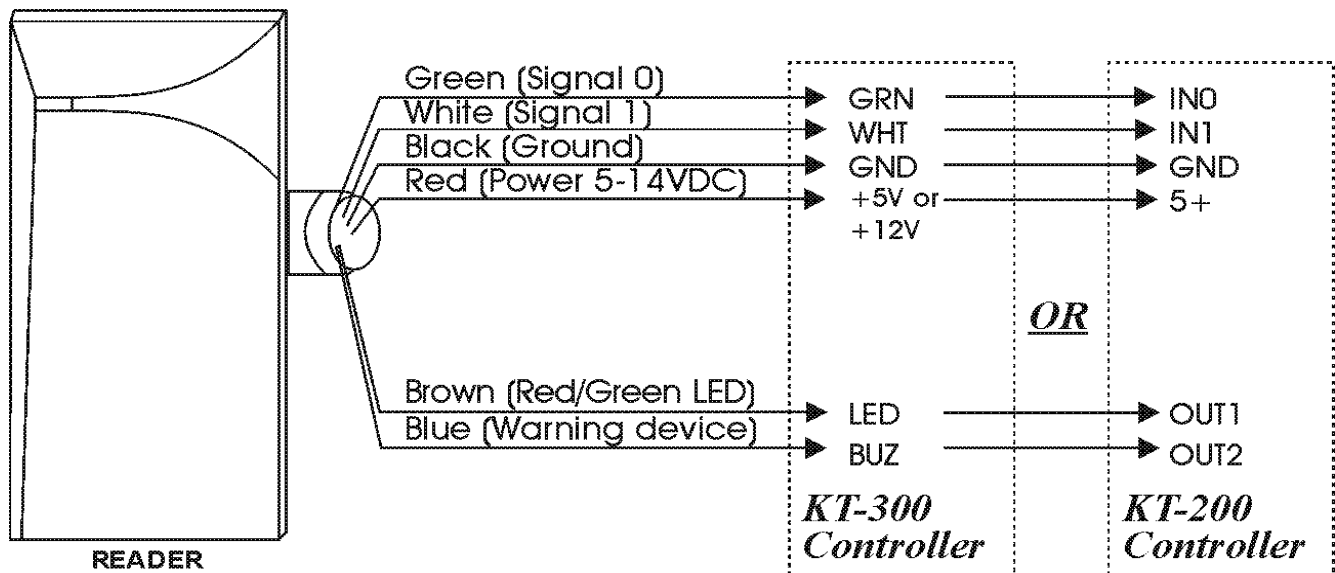
Technical Specifications

	P100XSF Mini	P200XSF Mullion	P300XSF Single Gang	P400XSF Double Gang
Typical read range ²	Up to 10cm (4")	Up to 12.5cm (5")	Up to 14cm (5.5")	Up to 15cm (6")
Input voltage	5 to 14 VDC	5 to 14 VDC	5 to 14 VDC	5 to 14 VDC
Current DC maximum	85 mA	85 mA	85 mA	85 mA
Dimensions (H•W•D) mm	70 x 44 x 17.8	114.5 x 44 x 17.8	114.5 x 70 x 17.8	114.5 x 114.5 x 17.8
Dimensions (H•W•D) in	2.75 x 1.75 x 0.7	4.50 x 1.75 x 0.7	4.50 x 2.75 x 0.7	4.50 x 4.50 x 0.7
Weight	39g (1.37oz)	52g (1.83oz)	83g (2.92oz)	112g (3.94oz)
Color	Black	Black	Black	Black
Transmit frequency	125 kHz	125 kHz	125 kHz	125 kHz
LED indicator	Bicolor standard (red, green)	Bicolor standard (red, green)	Bicolor standard (red, green)	Bicolor standard (red, green)
Piezo buzzer	Integrated	Integrated	Integrated	Integrated
Operating temperatures	-35°C to 65°C (-30°F to 150°F)	-35°C to 65°C (-30°F to 150°F)	-35°C to 65°C (-30°F to 150°F)	-35°C to 65°C (-30°F to 150°F)
Format	XSF ¹ for Kantech software only	XSF ¹ for Kantech software only	XSF ¹ for Kantech software only	XSF ¹ for Kantech software only
Maximum distance from controller:				
Reader Power 12V	300m (1000')	300m (1000')	300m (1000')	300m (1000')
Reader Power 5V	150m (500')	150m (500')	150m (500')	150m (500')
Cable type	3 twisted pairs, solid core #22AWG, unshielded, Belden ref #8742	3 twisted pairs, solid core #22AWG, unshielded, Belden ref #8742	3 twisted pairs, solid core #22AWG, unshielded, Belden ref #8742	3 twisted pairs, solid core #22AWG, unshielded, Belden ref #8742
Certifications	UL294, CE, FCC	UL294, CE, FCC	UL294, CE, FCC	UL294, CE, FCC
Command Buttons (Optional)	N/A	P-BUTN/200	N/A	P-BUTN/400
Tamper Switch (Optional)	N/A	P-TAMP	P-TAMP	P-TAMP

Compatible High Security Dual Encoded Proximity Cards for all readers : P10SHL (Standard card), P20DYE (Dye-Sub card), P30DMG (Dye-Sub card with blank mag-stripe) and P40KEY (Keytag).

¹XSF : eXtended Secure Format ² Reduced read range with keytags and Dye-Sub cards

Wiring Diagram



Note :

"UL has only verified compatibility with specific UL listed Access Control Units. Please consult the Access Control Units Installation Instructions for more information.