

## System Series Vari-focal Lenses

ASPHERICAL DESIGN, DC AUTO IRIS / MANUAL IRIS

The Honeywell Video System full line of Vari-focal lenses are suitable for indoor and outdoor applications where scene and lighting requirements vary.

Featuring world-class design—Honeywell Video's lenses bring together the highest quality aspherical glass optics, lightweight construction, and durability to ensure state-of-the-art optical correction, transmission and light-gathering ability. Vari-focal length lenses allow the installer the flexibility of obtaining the exact field of view quickly and easily, eliminating lens substitutions or the need to continuously adjust the camera setup. This is especially convenient for future changes to the viewing environment. Our lenses allow superior wide aperture performance (F0.95) in low light to capture high-quality images up to 540 TVL, even in horizontal field angles up to 110 degrees.

### Market Opportunities

Today's CCTV systems demand lenses that are compact and provide the best optical performance while being easy to install and adjust. Our line of Vari-focal lenses offers the most compact size in the market while maintaining the widest maximum apertures (up to F0.95) for a given focal length range. Innovations such as the focus lock mechanism being separated from the focusing ring ensure accurate adjustment of the focus the first time, reducing time spent in installation and setup of the lens.

Our Auto Iris lenses are 1/3" format and are compatible with the vast majority of today's CCD cameras. The camera controls the iris through an industry-standard 4-pin connector and cable. Our manual lenses allow the installer to set the depth of field for a specific application.

Lens selection is the most critical element in any CCTV installation. Honeywell Video's complete line of Vari-focal lenses provide you with the highest quality, reliability and ease-of-installation, suitable for indoor applications in retail, hospitality, financial, and gaming establishments and outdoor applications, such as ports and car parks and other areas where low light imaging is important.

### Features

- Ability to see a high-contrast, detailed picture (up to 540 TVL) of the subject in daylight and low light, allowing identification of a subject rather than just observation
- Compact, lightweight
- Fastest maximum aperture of lens in class
- Widest range Vari-focal available in class
- Zoom locking mechanism separate from zooming ring for accurate setup and installation
- Focus locking mechanism separate from focusing ring for accurate setup and installation (most models)

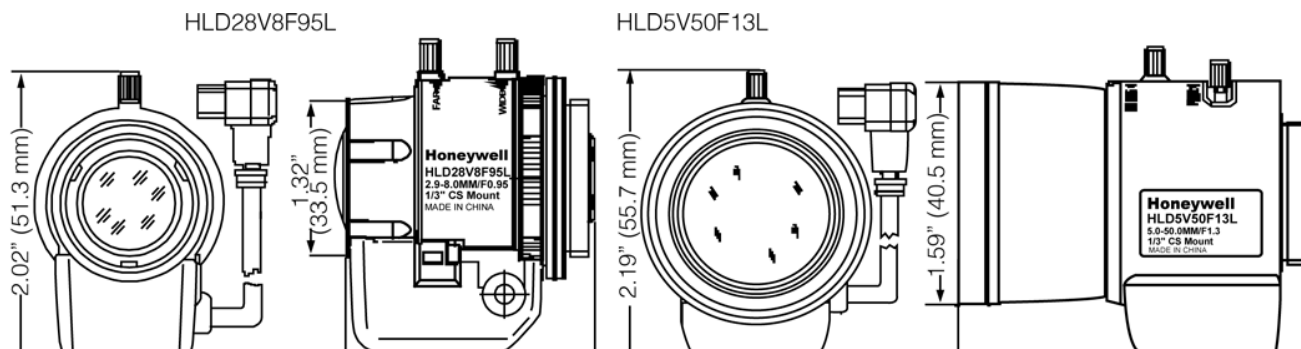


Aspherical Vari-focal Lenses

# System Series Vari-focal Lenses

## SPECIFICATIONS

LENS		HLM28V8F95	HLD28V8F95L	HLM5V50F13	HLD5V50F13L
Focal Length		2.8 mm - 8.0 mm (2.8X)		5.0 mm - 50.0 mm (10X)	
Iris		F0.95		F1.3	
Angle of View	Wide	99°52' × 73°17'		51°59' × 39°12'	
	Tele	35°14' × 26°24'		5°24' × 4°05'	
Focus Range		∞ - 0.3 m		∞ - 0.3 m	
Object Dimensions at M.O.D. (H x V) (mm)	Wide	736 x 459		315 x 230	
	Tele	196 x 145		62 x 47	
Back Focal Distance (W - T)		7.51 mm - 14.67 mm		10.83 mm - 10.00 mm	
Exit Pupil Position (from Image Plane)		3.58" (91 mm)		11.5" (292 mm)	
Mount		CS		CS	
Operating Temperature		14°F to 122°F (-10°C to 50°C)		14°F to 122°F (-10°C to 50°C)	
Dimensions (L x W x H)		1.50" x 1.32" x 2.02"		2.48" x 1.59" x 2.17"	
		38.3 mm x 33.5 mm x 51.3 mm		63.1 mm x 40.5 mm x 55.2 mm	
Mass		1.23 oz (35 g)	1.76 oz (50 g)	3.35 oz (95 g)	3.53 oz (100 g)
Iris Control		Manual	4-pin DC Control	Manual	4-pin DC Control
Coil Resistance	Drive Coil		190 Ohms		190 Ohms
	Damping Coil		500 Ohms		500 Ohms
Current Consumption (Max@ DC 4V)			22 mA		22 mA
Iris closes when power is off			Yes		Yes



Ordering	
HLM28V8F95	2.8 - 8 mm, F0.95, Manual Iris
HLD28V8F95L	2.8 - 8 mm, F0.95, DC Auto Iris
HLM5V50F13	5.0 - 50 mm, F1.3, Manual Iris
HLD5V50F13L	5.0 - 50 mm, F1.3, DC Auto Iris

**NOTE:** Honeywell reserves the right, without notification, to make changes in product design or specifications.

### Honeywell Security

Honeywell Video Systems  
Aston Fields Road,  
Whitehouse Industrial Estate,  
Runcorn, Cheshire WA7 3DL  
t: 08448 000 235  
f: 01928 701 063  
[www.honeywell.com/security/uk](http://www.honeywell.com/security/uk)

HVSSSVFL01EN0806DSNA  
August 2006  
©2006 Honeywell International, Inc.

# Honeywell