

**E-PLEX®**  
**5000**



E-Plex®

**E-Plex® 5000**

Power up your access control



1

 **KABA®**  
TOTAL ACCESS



## E-Plex® 5000

- Simple to install, use and maintain
- Requires no wire through the door
- 100 access codes
- Extensive audit trail
- Programmable passage mode
- Optional easy-to-use Excel™ based software
- Three-year warranty from lock activation date
- ANSI/BHMA grade 1 compliant



Built on over 40 years of experience, the new E-Plex by Kaba combines the strength, simplicity and reliability of our industry leading Simplex® locks with the enhanced security and convenience of electronic access control. The E-Plex 5000 is ideal for securing sensitive access points in multiple settings, especially locations with high user turnover. You'll appreciate fully audited access control without the costs and problems of issuing, managing and collecting keys or magnetic cards. It's never been easier to power up your access control.

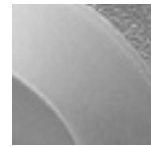




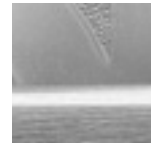
---

FINISH OPTIONS

---



SATIN CHROME



SATIN BRASS\*



BRIGHT BRASS\*



BLACK



DURANODIC

---

\* Lifetime finish



### Easy to manage

Users and locks can be controlled at the door or with optional, easy-to-use Microsoft Excel™ based software. The software provides manageable control as your facility's number of users and access points grow. User additions and deletions are completed quickly. Each access code is assigned one of five authority levels that specify who has access to various lock functions.

- Each site is assigned one Master level – the remaining 99 codes can be set to Manager, User, or Service levels. Service level can be programmed for access once, or unlimited entrance for a period of one to 24 hours – ideal for service personnel, meeting rooms, and rental space.

### Flexible

Three easy to set operation modes – combination “PIN” entry, passage, and lockout – give you the flexibility to control your facility's entry requirements according to your security needs during the business day and beyond.

Variety of key override formats fit existing master key systems – key-in-lever, interchangeable and removable core options. Passage can be set on or off, or programmed to relock after a specified period.

### User-friendly

Audio and visual indicators can be set to notify users when access is granted or denied. Unique, yet convenient push-button design deters code stealing over traditional telephone style keypads. Lock features ADA-compliant levers.

### Customizable user parameters

User access codes can be set from four to eight digits. The time interval between combination entry and relock is variable from two to 20 seconds. The anti-tamper feature disables the lock after multiple invalid combination entries – set for between three to nine attempts and up to 90 seconds.



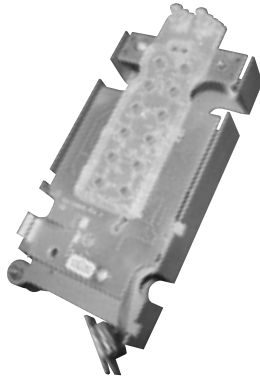
---

### Easy to maintain

Durable heavy-duty construction requires minimal maintenance. Visual indicators alert you when battery is low.

Three-year warranty. Built-in warranty counter begins on date of lock activation.

Efficient design provides up to 180,000 cycles for battery life.



Fully contained electronics module in exterior housing eliminates repair hassles.

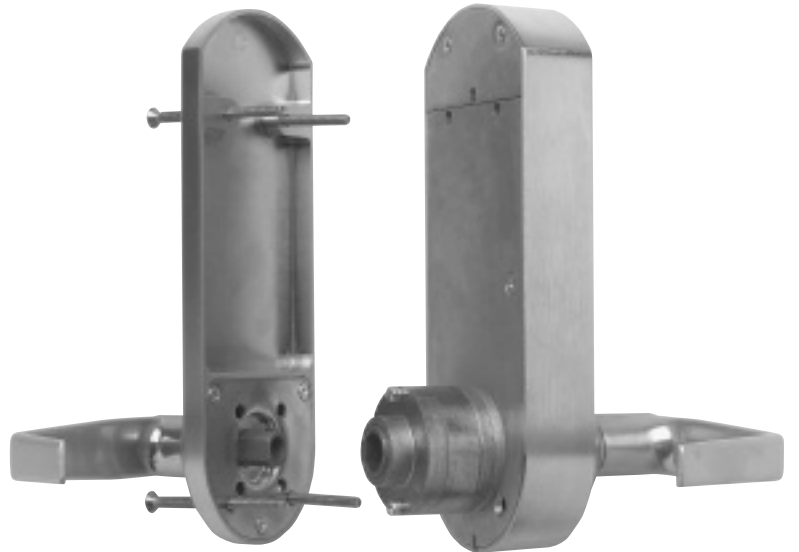


---

### Easy to install

The lock installs easily on wood or metal doors and provides a quick and simple retrofit to any standard 161 cylindrical door prep. A non-handed design easily accommodates both left- and right-hand doors.

Fully weatherproof design requires no installation gaskets for outdoor use.





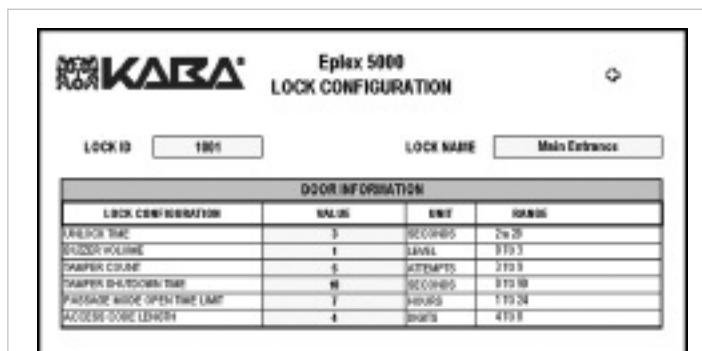
### Optional E-Plex software

Easy-to-use point & click Microsoft Excel™ based software requires no specialized knowledge to operate. Software manages up to 100 enrolled access codes per door and up to 10,000 doors per site. Manage multiple sites with one software package.

- Users and doors can be added, deleted, and suspended quickly
- Predefined spreadsheet templates simplify setup and data input
- Lock settings and user information are easily cloned – permitting quick multi-lock setups

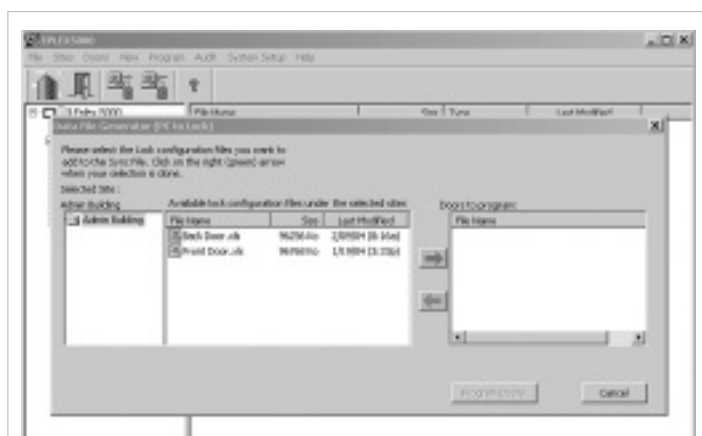
User-friendly software easily guides you through lock setup and functions, such as adding users and doors, and establishing authority codes.

- User information can be imported from existing databases and spreadsheets
- Password protection ensures integrity of data



**Eplex 5000 - User Information**

USER NUMBER	ACCESS CODE	USER NAME	USER TYPE	LOCK STATUS	NO. OF HOURS OF ACTIVATION (SERVICE USER)
001	1234	Sandy Turner	Access User	ENABLED	
002	5678	Michel Bernben	Access User	ENABLED	
003	2020	Mark Brown	Access User	ENABLED	
004	9876	Sue Stone	Access User	ENABLED	
005	6642	Jim Clark	Access User	ENABLED	
006	7690	Giovanni Chrysler	Access User	ENABLED	
007	7777	Jane Johnson	Service User	ENABLED	5
008				ENABLED	
009				ENABLED	
010	1610	Rch Grogan	Manager	ENABLED	
011	1611	Isabelle Soucott	Manager	ENABLED	
012				ENABLED	
013	2016	Mike Lang	Access User	ENABLED	
014				ENABLED	







### Communication

No cables are needed to upload and download your data – communicates through infrared data transfer function of a handheld PDA (personal digital assistant). Simply aim the data transfer window at your lock and receive visual confirmation when complete. The PDA battery gauge feature can be used to quickly test the lock's battery life status without accessing batteries – just point and click.



**E-Plex®**

### Extensive audit trail

Records and saves the last 3,000 lock events – even mechanical key override use – to provide user accountability. Audit information is downloaded to Excel spreadsheets for analyzing, sorting, or printing. Spreadsheet design allows you to sort according to your information needs – unlike the "canned" pre-programmed audit in most access systems.

KABA®		Eplex 5000 LOCK AUDIT		DATE OF REPORT: 06/14/2004 08:27:30			
<b>LOCK HEADER</b>							
LOCK NAME:	Main Entrance	LOCK ID:	9001	TYE Number:	1.00		
FILE NAME:	Main Entrance 10/14/2004 08:27:30.xls	TOTAL EVENTS:	479				
<b>LOCK PROGRAM INFORMATION</b>							
DATE	TIME	TRANSACTION DESCRIPTION	USER #	USER ACCESS CODE	USER NAME	USER TYPE	USER STATUS
06/10/2004	14:29:35	Master communication started		17004221		Master	
06/10/2004	14:31:13	Manual Programming started		17004221		Master	
06/10/2004	14:34:24	Lock opened on valid access code	905	4042	Jim Clark	Access User	ENABLED
06/10/2004	14:34:12	Lock opened on valid access code	905	3636	Rich Orsigan	Manager	ENABLED
06/10/2004	15:37:28	Key override - mech. (bypass)					
06/10/2004	15:05:20	Lock opened on valid access code	907	1333	John Scott	Service User	ENABLED
06/10/2004	15:26:14	Lock opened on valid access code	909	0000	Access User		ENABLED



## E-Plex® 5000 Series

### Electronic Access Control

---



E-Plex 5000 Series

#### Description

The E-Plex 5000 Series combines the strength, simplicity and reliability of Simplex mechanical pushbutton locks with the added security and features of electronic access control. The lock controls access with up to 100 Access Codes. Exterior access is by combination or key override, and egress is by interior lever and is free at all times.

User access can be programmed at the lock or managed with optional easy to use point and click Microsoft Excel™ based software. E-Plex software provides increased control as your facility's users and access points increase.

#### Application

The E-Plex 5000 is ideal for controlling access to security sensitive areas in commercial, industrial, educational, governmental, healthcare, lodging, and multi-unit residential settings. It's perfect for restricted areas with a high user turnover rate.

#### Features

- Keyless convenience – eliminates problems and costs associated with key systems
- 100 access codes
- Three-year warranty from lock activation date
- Flexible operational modes – combination (PIN) entry, passage, lockout
- Simple to install, use and maintain
- Extensive audit trail – lock records last 3,000 events, including key override use
- Flexible user preferences – adjustable anti-tamper lockout, adjustable relock time, variable length access codes
- ANSI/BHMA Grade 1 compliant
- Optional easy-to-use Excel based software

#### Optional Software Features

- Microsoft Excel based software requires no special knowledge to operate
- Easily manages up to 100 Enrolled Access Codes per door, and up to 10,000 doors.
- Users and doors quickly added and deleted
- Pre-defined spreadsheet templates simplify set-up and data input
- Lock settings and access schedules easily cloned for quick multi-lock set ups
- Simple on-screen instructions guide you through set up and functions
- User information can be imported from existing databases and spreadsheets



# E-Plex® 5000 Series

## Lock Specifications

### Mechanical Features

<b>Construction:</b>	Extra heavy-duty Grade 1 lock; cylindrical lockset, solid cast housings; solid cast zinc levers, cylindrical drive wear tested for extensive use in indoor and outdoor applications		
<b>Numeric pushbuttons:</b>	Vandal resistant, 12 button, metal keys		
<b>Handing:</b>	Non-handed, pre-assembled for left-hand door installations		
<b>Standard finishes:</b>	Housing – Satin Chrome 26D (626), Black 19 (676) Lever – Satin Chrome 26D (626)		
<b>Optional finishes:</b>	Duranodic 55 (695) housing with Satin Chrome 26D (626) lever Lifetime Bright Brass 03 (605) housing & lever Lifetime Satin Brass 04 (606) housing & lever		
<b>Weight:</b>	8 lbs. (3.63 kg)		
<b>Strike:</b>	ASA and standard strike plate		
<b>Latches:</b>	½" (13 mm) throw latch, floating face plate ¾" (19 mm) throw latch, beveled face plate		
<b>Key override:</b>	Universal key-in-cylinder or removable core formats. Universal key-in-lever cylinder includes Kaba 1599 6-pin cylinder (Kaba 90 keyway, keyed different) and tailpieces for compatibility with:		
	Abloy 5277	Abloy 5477	Arrow C100
	ASSA 65611	ASSA 65691	Corbin Russwin 2000-03
	Kaba 1539	Kaba 1599	Kaba Gemini 4730
	Kaba Peaks 1099	Marks	Medeco 20W200H1
	Sargent 10 Line	Schlage 23-001	Schlage Primus 20-760
	Australian: Kaba experT 107K5 & Boyd KC286		
	Interchangeable cores: Small format Best and compatibles (6 or 7-pin length)		
	Removable cores: Schlage, Medeco, ASSA, Yale (6-pin), and Corbin Russwin		

### Electrical Features

<b>Battery:</b>	<b>E5031 Series</b> – batteries located in interior housing; provides quick and easy battery replacements for institutions Four AA batteries provide up to 180,000 cycles.
<b>Indicators:</b>	Audible and visual indicators; low battery visual indicator

## E-Plex® 5000 Series

### Lock Specifications (continued)

---

#### Installation

<b>Door preparation:</b>	Easily installs on wood or metal doors
<b>No wiring:</b>	Fully contained electronics module is located in front housing – can be quickly replaced in the field
<b>Backset:</b>	2 ¾" (70 mm) backset
<b>Minimum stile requirement:</b>	5" (127 mm)
<b>Door thickness:</b>	1 ⅜" (35 mm) to 2 ¼" (57 mm); preassembled to accommodate doors 1 ⅝" (41 mm) to 2" (51 mm); hardware kits included for thin & thick doors

---

#### Certifications and Testing

<b>Accessibility standard:</b>	Americans with Disabilities Act (ADA)
<b>Fire rating:</b>	Three-hour UL / ULC fire door rating
<b>Durability:</b>	ANSI / BHMA A156.2, Grade 1 compliant
<b>Items supplied with lock:</b>	Complete lock, latch, ASA and standard strikes, installation manual, operations manual, template, and required hardware
<b>Additional items supplied with key-in-lever cylinder model only:</b>	Includes Universal Kaba 1599 6-pin cylinder with tailpiece, four additional tailpieces, two nickel silver keys, spare cylinder retainer
<b>Warranty:</b>	Three-year built-in warranty counter

---

# E-Plex® 5000 Series

## Software Specifications

### Communication

- Locks are programmed and audits downloaded using a handheld PDA (personal digital assistant)
- Communicates through infrared data transfer – requiring no dedicated cables or equipment – just point your PDA at the lock's transfer window
- Visual confirmations provided during data transfers
- PDA battery gauge used to quickly test lock's battery status – just point and click

### Audit

- Lock records last 3,000 access events, including key override, to provide increased user accountability
- Audit information is downloaded to Excel spreadsheets for increased flexibility
  - Use spreadsheets for analyzing, sorting or printing data according to your needs – unlike the “canned” pre-programmed audits found in most access control systems

### Authority Levels

- Five authority levels allow you to specify which users have access to various lock functions:
  - Each site is assigned one Master Level and one Communications (M-Unit) Level: the remaining 99 codes can be set to Manager, User, and Service levels
  - **Master** and **Manager** levels have authority to gain access to various lock functions
  - **Access User** level has authority to gain access only
  - **Service** level has authority to gain access once, or programmed for 1 to 24 hours – for service personnel, meeting rooms, and rental space
  - **Communications** (M-Unit) level has authority to program and audit without access to door

### Operational Modes

- Flexible operational modes accommodate security needs during the business day
  - Combination (PIN) entry
  - Passage – can be toggled on and off at the lock – re-lock can be set for between 1 to 24 hours
  - Lockout

### Customizable User Preferences

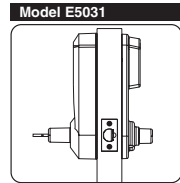
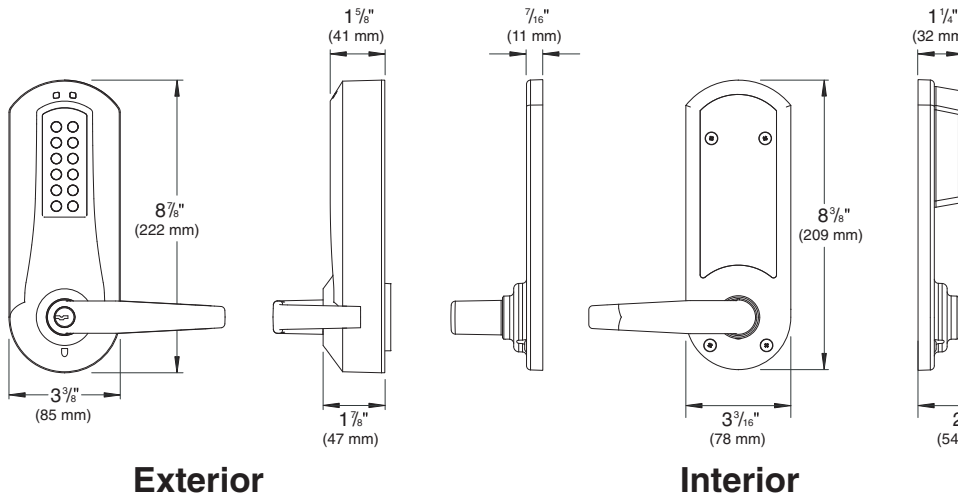
- Re-lock time – adjustable on a lock-by-lock basis from 2 to 20 seconds
- User code length – 4 to 8 digits
- Anti-tamper
  - Adjustable between 3 to 9 invalid attempts before anti-tamper feature disables lock
  - Lockout set for up to 90 seconds

### Compatibility

<b>Computer and processor:</b>	Pentium class personal computer
<b>Memory:</b>	128 megabytes (MB) of RAM or greater
<b>Hard Disk:</b>	500 MB of available hard-disk space
<b>Drive:</b>	CD-ROM or DVD drive
<b>Operating System:</b>	Microsoft Windows 98SE, NT SP4, 2000, XP (not supplied) – visit <a href="http://www.e-plexlock.com">www.e-plexlock.com</a> for up-to-date listing
<b>Microsoft Excel:</b>	Excel 97 or newer software (not supplied)
<b>Handheld PDA:</b>	Palm Operating System 4.X or 5.X (not supplied) – visit <a href="http://www.e-plexlock.com">www.e-plexlock.com</a> for up-to-date listing

# E-Plex® 5000 Series

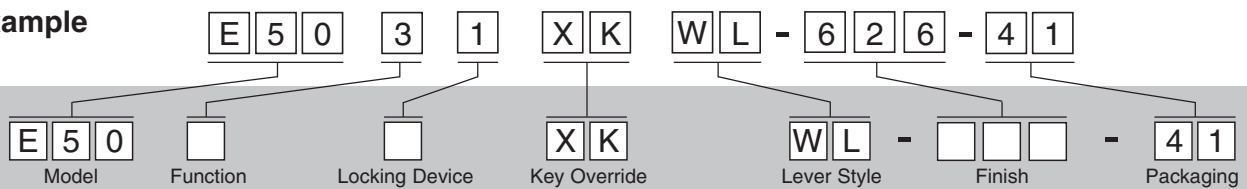
## Electronic Access Control



- Code Entry
- Key Override
- Batteries - in interior housing

E-Plex®

### Example



### Build the model number with the desired options

Model	Function	Locking Device	Key Override	Lever Style	Finishes	Packaging
<b>E50</b> E-Plex 5000 Series Cylindrical lock	<b>3</b> Batteries located in interior housing	<b>1</b> 1/2" (13 mm) throw latch floating face plate 2 3/4" (70 mm) backset  <b>5</b> 3/4" (19 mm) throw latch beveled face plate 2 3/4" (70 mm) backset	<b>Removable Core Cylinders</b> Compatible with removable core cylinders (not supplied)  <b>C</b> Corbin/Russwin  <b>M*</b> Medeco/ASSA/Yale (6-pin length)  *5-pin Medeco cylinder requires a special knob spacer. Request spacer when ordering, part number 201569 (supplied free of charge)  <b>R</b> Sargent  <b>S</b> Schlage  <b>Interchangeable Core</b> (not supplied)  <b>B</b> Best & Compatibles (6 or 7-pin length)  <b>Key-In-Lever Cylinder</b>  <b>XK</b> Key-in-Lever Cylinder (cylinder included-Kaba keyway)  <b>XS</b> Key-in-Lever Cylinder (cylinder included-Schlage keyway)	<b>WL</b> Winston Lever	<b>626</b> Satin Chrome (26D)  <b>606</b> Satin Brass (04) Lifetime finish  <b>695</b> Duranodic (55)  <b>605</b> Bright Brass (03) Lifetime finish  <b>676</b> Black (19)	<b>41</b> 1 per box  <b>Locks shipped</b> 4 per case

#### Items supplied with the lock

- Latch
- ASA strike
- Standard strike plate
- Installation Manual
- Operations Manual
- Full-scale template
- Spare inside/outside lever set screw
- Hardware required for thin and thick door installations

#### Additional items supplied with Key-in-Lever Cylinder model only

- Universal Kaba High Security 1599 6-pin cylinder with tailpiece
- Four additional tailpieces
- Two nickel silver keys
- Spare cylinder retainer

Access Control Catalog - June 2004







# E-Plex® Series

## Notes

---



---



---



---



---



---



---



---



---



---



---



---



---



---



---



---



---



---



---



---



---



---

E-Plex®

Access Control Catalog - June 2004