

JVC

PROFESSIONAL

FIXED COLOUR DOME CAMERA

TK-C553E

(AC 24 V/DC 12 V)

Cost-effective, Compact Programmable Colour Dome Camera with Digital Zoom



- Variable Focal-Length Lens (f=2.6 to 6 mm)
- 1/4-inch 440,000 Pixel CCD
- Digital 2X Zoom
- Auto Pan, Tilt, Scroll and Preset Sequence (Auto Patrol) Mode
- Compact, Space-saving Design
- High Sensitivity — 4 Lux (with cover), 1.5 Lux (without cover)
- 6 Preset Positions
- RS-422A and RS-485 Control Signals
- One-push Auto White Balance
- Programmable Backlight Compensation

1/4-INCH 440,000 PIXEL CCD
RS-422A/RS-485 CONTROL SIGNALS
1.5 LUX HIGH SENSITIVITY



Fully Programmable, Compact Dome Camera Captures Top-Quality Pictures in an Expandable System

Packing all the advanced image-gathering technologies needed to operate flexibly in a wide range of environments, the TK-C553E comes in an exceptional economical package. It lets you build a surveillance system that can be easily expanded as your needs grow — one that is virtually maintenance free and can be operated easily by anyone.

With its fully programmable Auto Patrol function, JVC's TK-C553E can pan and tilt to monitor up to six positions in a sequential or random pattern. A wide-aperture, wide-angle lens with zoom further boosts coverage. Images are captured by a JVC 1/4-inch CCD with 440,000 pixels, which delivers 470 TV lines for crisp pictures at light levels down to 1.5 Lux (without cover).

Yet, despite featuring some of the most advanced video-capturing technologies, the TK-C553E is remarkably compact. Its surveillance capabilities far exceed those of conventional fixed cameras, letting you cover a larger area with fewer cameras — another major cost saving.



Simple Menu-driven Parameter Setting

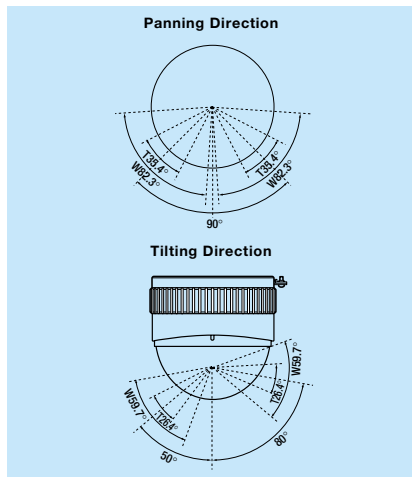
Easy-to-use menu-driven operation lets you set a host of parameters including IRIS level, ENHANCE level, ATW/MANU, AGC ON/ OFF, Super AGC ON/OFF, and L.L. phase.

Preset Sequence (Auto Patrol) Mode

Using the powerful Auto Patrol function you can programme the camera to monitor up to six preset positions, remaining at each position for a preset time. Pan, tilt, and scroll are all fully automated. Coverage of an area by panning can be random or sequential, with the user programming the TK-C553E to suit local operating conditions.

Wide Angle Adjustment Range

The camera angle is adjustable over a wide range to ensure comprehensive coverage of the area under surveillance — horizontal: 90°, vertical: 130°, and Tilt: 30°.



Crisp Pictures Down to 1.5 Lux

The TK-C553E features a 1/4-inch CCD with 440,000 pixels, which delivers 470 lines of horizontal resolution. Sensitivity is excellent — the TK-C553E can capture top-quality pictures in ambient light down to 4 Lux with cover on and 1.5 Lux with cover removed. Careful attention to dome design also eliminates optical distortion.

Lens and Digital Zoom

The professional-quality large aperture lens of the TK-C553E features a 2X digital zoom ratio and zoom can be smoothly and easily operated from the controller, which gets you close to the action fast. To further enhance versatility, the lens has a variable focal length (2.6 to 6.0 mm) to keep subjects, near and far, in sharp focus at all times.

RS-422A/RS-485 Interfaces

The distance of the camera and controller is a maximum of 1.2 km. The TK-C553E accepts RS-422A/RS-485 control signals, allowing both point-to-point and multi-drop control of cameras from a single controller.

ID Capability

The ability to assign an ID to individual cameras means you can quickly and simply configure a remotely controlled, multi-camera surveillance system.

Easy Installation and Wide Coverage

Compact and lightweight, the TK-C553E is designed for easy installation on a ceiling. Its wide-angle lens and clever dome design also mean that the TK-C553E can cover an area that would require a number of conventional cameras, further reducing installation time and cost.

Full Auto White Balance

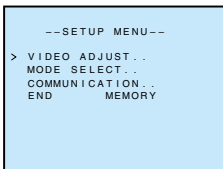
You can adjust white balance manually or automatically for light within a colour temperature range of 2,500°K to 8,000°K.

Camera Text

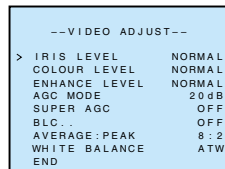
Text of up to twenty-four characters can be input and set for each camera. The text appears at the bottom of the monitor screen and lets the user instantly know the location of the camera.

Backlight Compensation

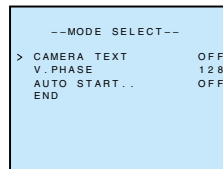
The powerful Backlight Compensation function provides a sense of depth around a subject in the foreground by filling the background, which prevents silhouetting.



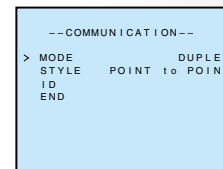
SETUP MENU SCREEN



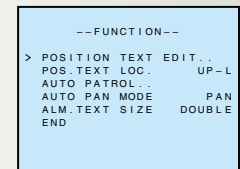
VIDEO ADJUST SCREEN



MODE SELECT SCREEN

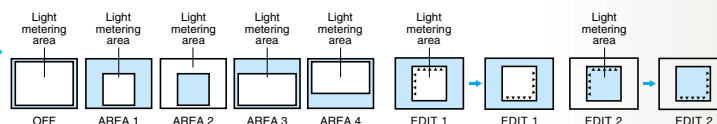


COMMUNICATION SCREEN



FUNCTION SCREEN

This screen is only displayed when the controller is connected.



Specifications

■CAMERA

Signal system	PAL
Image device	1/4" IT CCD
Effective picture element	440,000 pixels, 752 (H) x 582 (V)
Sync system	Line lock/Internal
Video S/N	50 dB (typical)
Horizontal resolution	470 TV lines (typical)
Minimum illumination	4 lux (Full wide angle, AGC 20 dB, Y: 25%) 1.5 lux (Full wide angle, AGC 20 dB, Y: 25%, no cover)
Camera ID	24 characters
White balance	ATW/Manual/AWC
BLC	Available by adjustment of light metering area position

■LENS

Focal length	2.6 to 6 mm (variable)
Max. aperture ratio	F1.2 to F1.8
Angle of vision:	f = 2.6 mm, 82° (H) x 59° (V) f = 6 mm, 35° (H) x 26° (V)

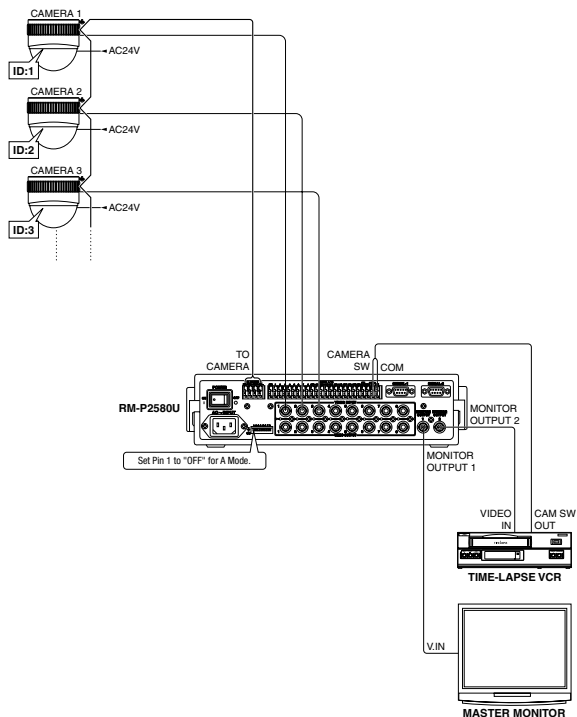
■ANGLE ADJUSTMENT RANGE

Horizontal	90°
Vertical	130°
Tilt	30°

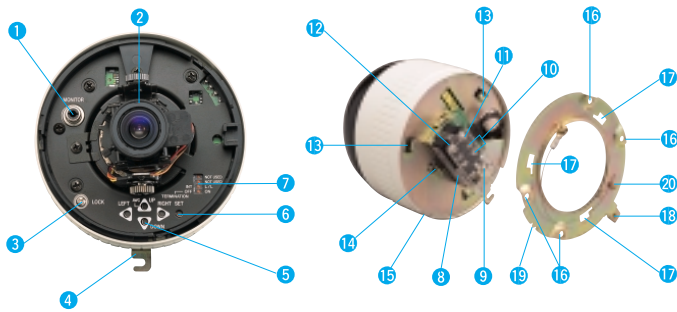
■GENERAL

Remote control input	RS-422A or RS-485 (non-isolated)
Power requirement	AC 24 V~, 50/60 Hz or DC 12 V
Power consumption	Approx. 300 mA
Operating temperature range	-10°C to +50°C/14°F to 122°F (recommendation: 0°C to +40°C/ 32°F to 104°F)
Dimensions	Approx. 112 mm diameter x 113 mm
Weight	Approx. 570 g with ceiling mount

Basic system



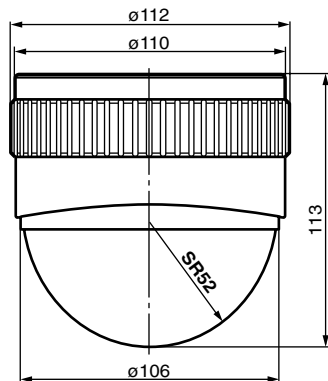
Controls, connectors and indicators



- 1 MONITOR terminal (non-terminated)
- 2 Camera head
- 3 Horizontal LOCK screw
- 4 Camera clamp
- 5 Operation buttons
- 6 SET button
- 7 DIP switch
- 8 Terminal board
- 9 Video output terminal
- 10 Control signal connection terminals
- 11 DC 12V/AC 24V input terminals
- 12 Terminal board cover
- 13 Camera body mounting guides (x3)
- 14 Drop prevention wire hook
- 15 Camera positioning alignment mark
- 16 Mounting holes (x4)
- 17 Guide holes for mounting camera (x3)
- 18 Camera clamping screw
- 19 Camera positioning alignment mark
- 20 Drop prevention wire hook

Dimensions

Unit: mm



Option

■WB-S553E

Ceiling embedding bracket



Design and specifications subject to change without notice.

JVC

VICTOR COMPANY OF JAPAN, LIMITED

DISTRIBUTED BY



Certificate No. EC96J1049



ISO9001/No. FM26586

■ The Hachioji Plant of Victor Company of Japan, Ltd., has received ISO14001 Certification under the global standard for environmental management.

This catalogue is printed on recycled paper.

Printed in Japan
KCN-1775
CETKCE55EK0010