



One of our most popular cameras for indoor and outdoor use, the new Alliance-mx not only includes the increased processing power needed to run analytics or VMS applications at the edge, it also features WDR, built-in IR illumination, on-camera storage, and true day/night capability. A choice of manual or motorized varifocal lenses are available. Refer to the Model and Descriptions table.

Available in H.264 vandal dome models with support for HD720p, HD1080p, 3MP and 5MP resolutions, the Alliance-mx provides a highly energy-efficient and economical system perfect for any application. ONVIF and PSIA compliant APIs provide the necessary flexibility to ensure compatibility with many of the most popular VMS platforms.

A high-quality, ultra-strong polycarbonate bubble and aluminum body combine to make the Alliance-mx dome vandal resistant while maintaining an aesthetically pleasing look in any scenario. The IP66 rating allows for installation just about anywhere.

Product at a Glance

- ▶ Resolutions up to 5 MP
- ▶ H.264 Main Profile + MJPEG Compression
- ▶ 1, 2, 3 MP WDR (100dB)
- ▶ Motorized remote focus, autoiris lens option
- ▶ Built-in IR illuminator (up to 50 ft/15 m)
- ▶ On-camera storage (Micro SDHC)
- ▶ Two-way audio
- ▶ True day/night movable IR filter
- ▶ Power-over-Ethernet
- ▶ I/O relay (WDR and 5MP models only)
- ▶ Real-time clock (WDR and 5MP models only)
- ▶ Analog out (WDR and 5MP models only)
- ▶ IP66/NEMA 4 outdoor enclosure
- ▶ IK10 compliant indoor/outdoor vandal-resistant dome
- ▶ ONVIF and PSIA compliant
- ▶ IQaccess supported

SPECIFICATIONS

Model	IQM61NE-B5; IQM61WR-B5; IQM61WR-A4	IQM62NE-B5; IQM62WR-B5; IQM62WR-A4	IQM63WR-A4	IQM65NR-A4
Cameras				
Image Sensor:	WR: 1/3.2" CMOS; NE: 1/2.7" CMOS		1/3.2" CMOS	1/3.2" CMOS
Max Resolution:	HD 720P - 1280 x 720	HD 1080P - 1920 x 1080	3.1 MP - 2048 x 1536	5.0 MP - 2560 x 1920
Image Settings:	Digital image effects: flip and rotate (horizontal and vertical)180°. Configurable brightness, contrast, saturation, sharpness. White balance. Digital zoom. Gain control. Exposure. Electronic shutter speed. Day/night mode. BLC (Backlight Compensation). Motion detection. Privacy masking. Event recording/notification. WDR on select models (refer to model descriptions). Time-lapse recording. Real-time clock (WDR/5MP only).			
Electronic Shutter Speed:	1/8000			
Day/Night Performance:	True day/night (IR cut filter)			
Minimum Illumination:	Color: 0.2 lux; B/W: <0.05 lux without IR; 0.0 lux with IR		Color: 0.3 lux; B/W: <0.05 lux without IR; 0.0 lux with IR	
IR Distance:	50 ft (15 m) (with 22 IR LEDs); wavelength 850 nm (IR range sensor: 800 to 940 nm)			
Lenses				
Focal Length:	B5: 3-13 mm; A4: 2.8-8.5 mm		A4: 2.8-8.5 mm	
Max. Aperture:	B5: f/1.4; A4: f/1.2		A4: f/1.2	
Iris:	B5: Fixed; A4: P-iris		A4: P-iris	
Zoom/Focus Adjust:	B5: Manual; A4: Motorized		A4: Motorized	
Horizontal Field of View:	B5 (NE): 32° - 93°; B5 (WR): 26° - 65°; A4: 37° - 90°		A4: 39° - 95°	A4: 39° - 99°

Network Video Transmission

Network:	10Base-T, 100Base-TX, RJ-45			
Image Compression:	H.264; M-JPEG			
Resolution:	1280x720 (720P), 720x480 (480P), 352x240 (CIF)	1920x1080 (1080P), 1280x720 (720P), 720x480 (480P), 352x240 (CIF)	2048x1536 (3 MP), 1920x1080 (1080P), 1280x720 (720P), 720x480 (480P), 352x240(CIF)	2560x1920 (5 MP); 2048x1536 (3 MP); 1920x1080 (1080P), 1280x720 (720P), 720x480 (480P), 352x240 (CIF)
Protocol:	TCP/IP, HTTP, HTTPS, DHCP, UDP, RTP, RTSP, DNS, ARP, ICMP, NTP, UPnP, ZeroConf, UDP multicast, APIPA, CIFS, SNMP, SMTP, Telnet			
Max. Frame Rate:	30 fps		20 fps	10 fps
Streams:	Triple streaming			
Users:	Live viewing for up to 10 clients			
Web Browser:	Internet Explorer®, Safari®, Firefox®, Google Chrome®			
Security:	HTTPS encrypted configuration, SSL, multi-level password protection			
IQapps and Utilities:	IQaccess, IQfinder, IQmanager, IQanalytics			

Mechanical and Electrical

Construction:	Die-cast aluminum base; polycarbonate plastic clear dome; tamperproof screws			
Camera Adjustment:	3-axis adjustment, pan, tilt and roll (azimuth)			
Mounting:	Surface mount. Mounting accessories available for pendant/wall and in-ceiling.			
Dimensions:	6.0 in. (152 mm) (Diam) x 3.8 in. (96.1 mm) (H), 3.9 in. (100 mm) (Dome Diam) Refer to Dimensional Drawing.			
Weight:	1.98 lb (0.9 kg)			

SPECIFICATIONS

Input/Output

Input Power:	Power over Ethernet (PoE, 802.3af Class 2)
Power Consumption (IR on):	<4.0 W, typical
Audio:	Two way G.711 PCM 8 kHz; external microphone, mic/line in, line out
Storage:	Slot for Micro SD card on camera (card not supplied)

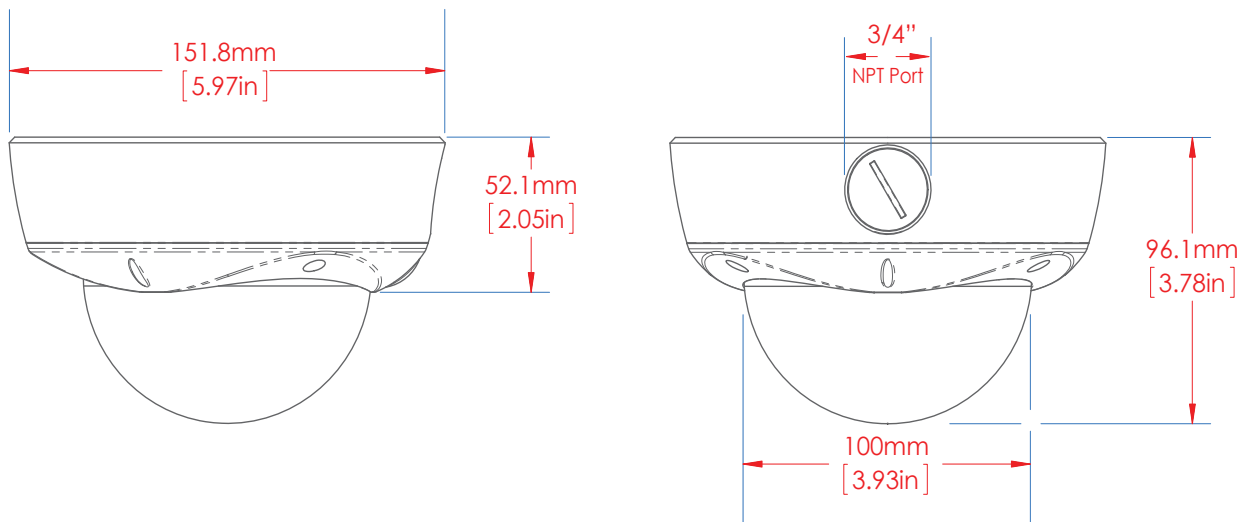
Controls and Connectors

External Controls:	Focus, Zoom: rings on non-motorized lens versions; Factory Reset Button.
Connectors:	Power PoE/Network: RJ-45 CAT 5. Local Storage: Micro SD card slot. I/O Relay/Audio In/Out/Analog output for installation (WDR/5MP models only): requires optional cable or backbox with cable (see accessories table).

Environmental

Operating Conditions:	Temp: -30 to 122° F (-34 to 50° C)
Approvals:	UL, cUL, FCC Class A, CE, RoHS 2, IP66, IK10
Warranty:	3 years

Dimension Drawings



ORDERING INFORMATION

Models and Descriptions

Model	Max. Resolution	Max. Frame Rate (@ max. resolution)	Min. Illumination (without IR)	Field-of-View
IQM61NE-B5	HD 720P - 1280 x 720	30 fps	Color: 0.2 lux; BW: <0.05 lux	B5: 32° - 93°
IQM61WR-B5	HD 720P - 1280 x 720	30 fps	Color: 0.2 lux; BW: <0.05 lux	B5: 26° - 65°
IQM61WR-A4	HD 720P - 1280 x 720	30 fps	Color: 0.2 lux; BW: <0.05 lux	A4: 37° - 90°
IQM62NE-B5	HD 1080P - 1920 x 1080	30 fps	Color: 0.2 lux; BW: <0.05 lux	B5: 32° - 93°
IQM62WR-B5	HD 1080P - 1920 x 1080	30 fps	Color: 0.2 lux; BW: <0.05 lux	B5: 26° - 65°
IQM62WR-A4	HD 1080P - 1920 x 1080	30 fps	Color: 0.2 lux; BW: <0.05 lux	A4: 37° - 90°
IQM63WR-A4	3.1 MP - 2048 x 1536	20 fps	Color: 0.2 lux; BW: <0.05 lux	A4: 39° - 95°
IQM65NR-A4	5.0 MP - 2560 x 1920	10 fps	Color: 0.3 lux; BW: <0.05 lux	A4: 39° - 99°

N=Day/Night; I=Indoor; W=WDR; V=Vandal-Resistant; WDR/5MP models have I/O relay, real-time clock and analog out features

Mounting Accessories

Model	IQM-WM3	IQM-PND	IQM-CNR	IQM-FG
Description	Allows indoor or outdoor installation on a wall surface with the dome oriented toward the ground.	Allows indoor or outdoor installation on a ceiling surface with the dome oriented toward the ground.	Allows indoor or outdoor installation on an inward facing corner, outward facing corner or pole.	Allows indoor mounting on a drop ceiling or sheetrock ceiling surface.
Height	5.8 in. (146.4 mm)	4.7 in. (119.0 mm)	6.3 in. (160.0 mm)	3.1 in. (78.4 mm)
Width	6.4 in. (161.9 mm)	6.4 in. (161.9 mm)	6.3 in. (160.0 mm)	8.7 in. (220.7 mm)
Depth	10.75 in. (273.0 mm)	6.4 in. (161.9 mm)	3.4 in. (86.2 mm)	8.7 in. (220.7 mm)
Weight	3.96 lb (1.796 kg)	1.4 lb (0.6384 kg)	3.2 lb (1.468 kg)	1.4 lb (0.6384 kg)

Model	IQM-GBA	IQM-BOX	IQM-BBL/ IQM-BBL-SMK	IQM-CAB
Description	Allows indoor or outdoor installation onto a single or double electrical gang box.	Allows the termination of I/O relay, audio and analog video cables when installation is on a hard surface. (Includes IQM-CAB Auxiliary Cable.)	Interior/exterior dome bubble clear/20% smoked tint and trim ring assembly.	Provides termination of I/O relay, audio and analog video cables when installation is in a drop ceiling and IQM-BOX is not required.
Height	0.3 in. (8.0 mm)	1.25 in. (31.75 mm)	5.5 in. (138.45 mm)	0.43 in. (11 mm)
Width	6.2 in. (158.0 mm)	6.0 in. (152.4 mm)	5.5 in. (138.45 mm)	1.5 in. (38 mm)
Depth	6.2 in. (158.0 mm)	6.0 in. (152.4 mm)	2.5 in. (62.88 mm)	10.2 in. (260 mm) (length)
Weight	0.8 lb (0.371 kg)	1.05 lb (0.47 kg)	0.6 lb (0.2564 kg)	0.02 lb (9 g)