

# imigix

## iconPILOT X

### Video and Audio Transceiver

*IconPILOT X* is a high performance video transceiver with built-in two-way video and audio, alarms, telemetry and X-21 connections in one unit. It is ideal for high performance remote video and audio monitoring over leased line connections and permanently connected sites.

- high performance video transmission via leased lines
- automatic data error recovery
- video, audio, telemetry, alarms, X-21 interface and lead as standard
- 64 to 384 kbps leased lines – up to 25 frames per second video
- compatible with iconcontrol software
- integrated two-way video and audio technology
- uses *Variframe* technology

*IconPILOT X* brings all the benefits of the award-winning dial-up *iconPILOT* product to leased line users, providing full compatibility with iconcontrol graphical control software and existing CCTV installations.

Intuitive control, with or without a PC, combined with the best video performance in the industry via 64 kbps up to 384 kbps leased lines makes *iconPILOT X* the ideal solution for permanent remote monitoring that is almost as good as being there in person.

Installation of *iconPILOT X* couldn't be easier with everything supplied including the X-21 lead for a hassle-free connection. Reliability is assured with automatic transparent recovery from line data errors and a three year guarantee to give total peace of mind.

#### *Icon X*

*IconPILOT X* is also available in *icon X* form, without built-in front control panel, for remote-site installation and for use in conjunction with iconcontrol monitoring software. Both *iconPILOT X* and *icon X* also benefit from all the standard features of the original award-winning *imigix icon* range.

#### APPLICATIONS

Permanent remote monitoring over leased lines

Government buildings

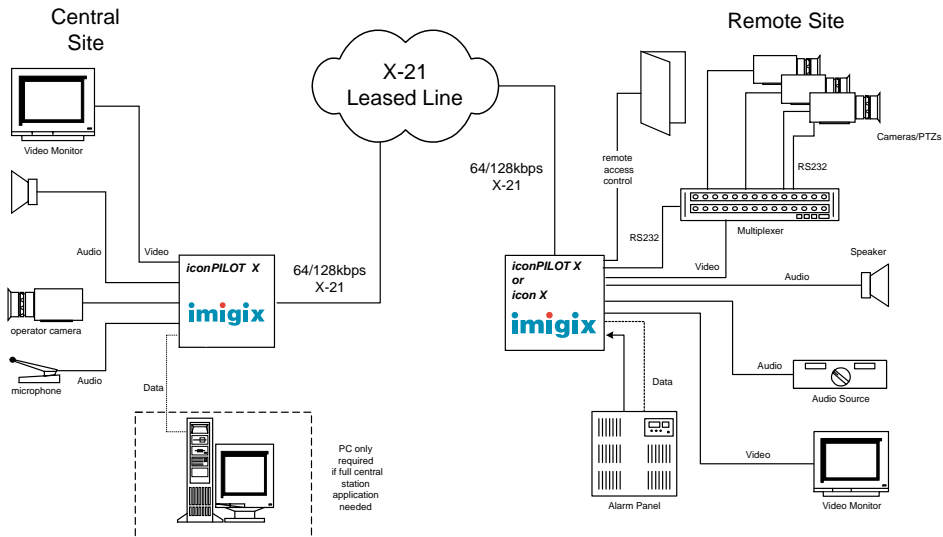
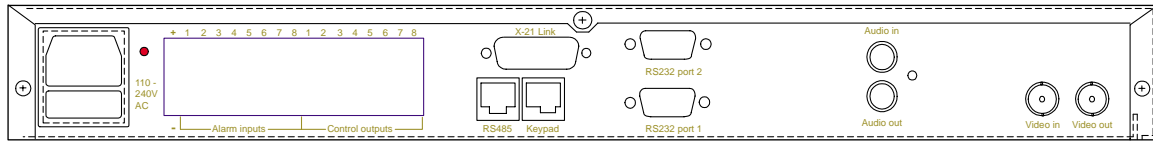
Hospitals and local authorities

Secure two-way video and audio exchange

Full time two-way remote visual presence

Remote video gatekeeping





Video		Communications	
standard	PAL: 625 lines, 50Hz NTSC: 525 lines, 60Hz	Leased line bandwidth	64, 128, 256, 384 kbps
input	composite 1.0V p-p, BNC	X-21 interface	1, DB15
output	composite 1.0V p-p, BNC	X-21 connection lead	included as standard
capture resolution	768 x 576 (PAL)	data error recovery	automatic
frame rate (update)	up to 25 fps 25 fps	line loss recovery	automatic
64 - 128 kbps to 384 kbps			
compression mode	Variframe - conditional or full frame refresh	<b>Alarm</b>	
two-way video	included as standard	inputs	8 programmable
continuous video pan	up to 90 deg. per sec.	outputs (control)	8 programmable
<b>Audio</b>		<b>Control (iconPILOT X only)</b>	
transmission	in-band	method	built-in control panel
input	line level, RCA phono	input	5 tactile buttons
output	line level, RCA phono	display	2 line LCD
two-way audio	included as standard	navigation	menu
<b>Data</b>		<b>Environment</b>	
transmission	in-band	operating temperature	0 - 45° Celsius
serial ports	2, RS 232, DB9S 1, RS 485, RJ12	dimensions (mm)	380 x 254 x 1U
keyboard (optional)	1 offset RJ12	construction	high quality powder coated 1.2mm steel
telemetry control	in-band (standard)	mounting	desk, wall or rack
configuration	remote or local	<b>Electrical</b>	
		supply	100 - 240VAC 47 - 63Hz
		power	30W

