



## Overview

GE's UTP Passive Video-Data-Power (VDP) Balun Combiners are now IFS. The VDP-B Series Baluns are single-channel devices that combine video, PTZ data and camera power over a single 4-pair UTP cable.

CCTV installations in a structured wiring environment are simplified via an RJ-45 connector, and comply with the EIA/TIA 568B industry standard. The video connection is made through a BNC connector, while power and data are provided by separate twisted-pair pigtails.

These baluns also feature built-in surge suppression to protect video equipment against damaging voltage spikes while delivering exceptional noise immunity to ensure quality video signals.

### Short-range configuration (750 ft)

Baluns can transmit video up to 750 feet (228m) when used in pairs or with a VDP-ES Series Multi-channel VDP Receiver Combiner.

### Long-range configuration (2,000 ft)

Baluns can transmit up to 2,000 feet (609m) when used in combination with a VDP-MS Series Multi-channel VDP Mid-span Combiner and a VTP-AR4 Series Multi-channel Active Video Receiver.

### Long-range configuration (3,500 ft)

Baluns can transmit up to 3,500 feet (1,066m) when used in combination with a VDP-MS Series Multi-channel VDP Mid-span Combiner and a VTP-AR6 Series Multi-channel Active Video Receiver.

## VDP-B Series Single-channel UTP Passive Video-Data-Power (VDP) Balun Combiners

## Standard Features

### Video

- NTSC, PAL and SECAM compatible
- 60dB crosstalk and noise immunity
- Supports "up-the-coax" PTZ control

### Design

- Combines video, data and power
- Compact size
- RJ-45 plug-n-play installation
- No operating power required
- Surge protection

### Distance

- Short-range configuration (up to 750 ft.)
- Long-range configuration (up to 2,000 ft.)
- Long-range configuration (up to 3,500 ft.)

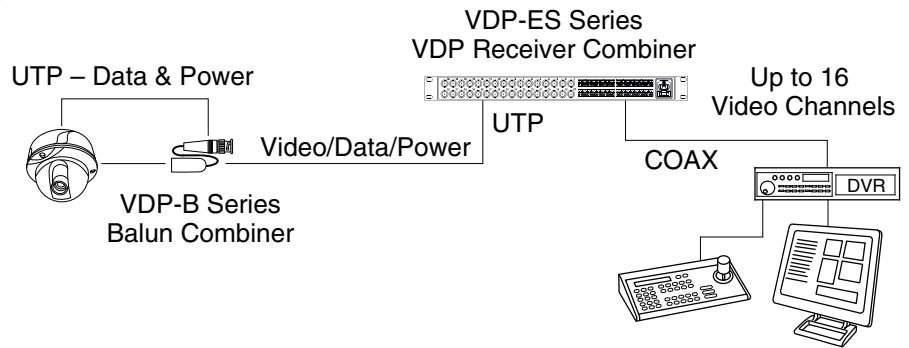
### Warranty

- Comprehensive Lifetime Warranty

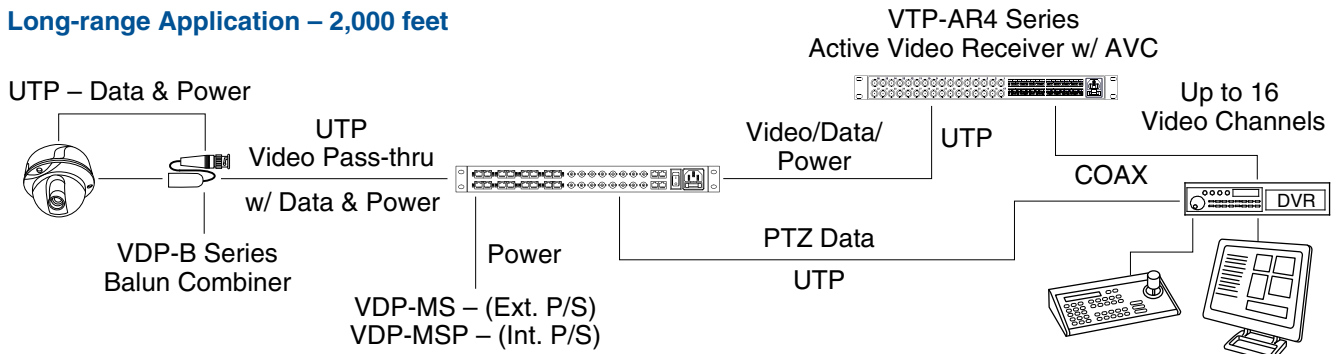


# Typical Applications

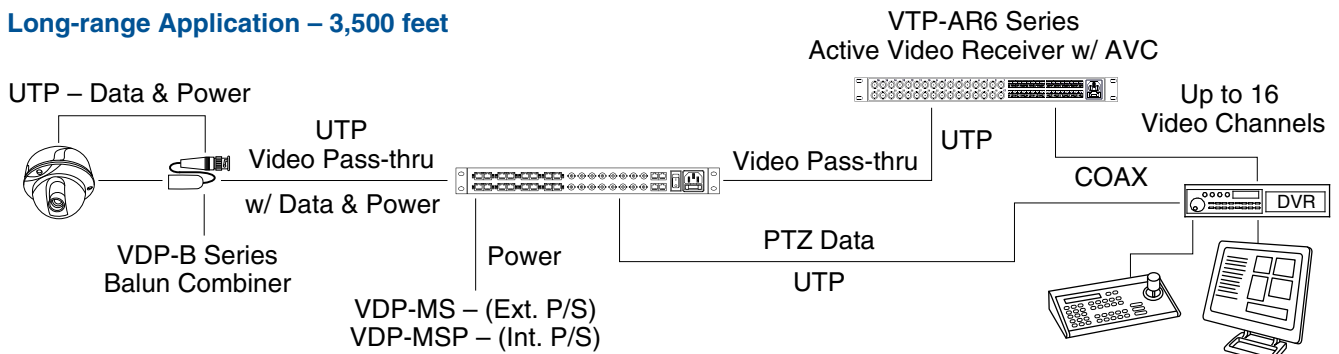
## Short-range Application – 750 feet



## Long-range Application – 2,000 feet



## Long-range Application – 3,500 feet



North America  
 T 888-437-3287  
 F 503-691-7566  
 E sales@ifs.com

Asia  
 T 852-2907-8108  
 F 852-2142-5063

Australia and New Zealand  
 T 613-9239-1200  
 F 613-9239-1299

Europe  
 T 32-2-725-11-20  
 F 32-2-721-40-47

Latin America  
 T 561-998-6100  
 F 561-994-6572

interlogix.com  
 utcfireandsecurity.com

Specifications subject to  
 change without notice.

© 2011 Interlogix, A UTC Fire & Security Company.  
 All rights reserved.




GE and the GE monogram are trademarks of the  
 General Electric Company and are under license  
 to UTC Fire & Security, 9 Farm Springs Road,  
 Farmington, CT 06034-4065

**Agency Compliances**

- UL
- cUL
- CE
- C-Tick
- WEEE



## Single-channel UTP Passive Video-Data-Power (VDP) Balun Combiner Specifications

Part No.	GEC-VCR	GEC-VPDBC	GEC-VCR12V
<b>Description</b>			
<b>Feature</b>	Video/Power	Video/Data and Power	Video/Data and Power
<b>Built-in 12VDC Converter</b>	No	No	Yes
<b>Connectors</b>			
<b>Video Connector</b>	BNC	BNC	BNC
<b>UTP Connector</b>	RJ45	RJ45	RJ45
<b>Electrical &amp; Mechanical</b>			
<b>Operating Power</b>	None required	None required	None required
<b>Enclosure</b>	ABS plastic 91V-O UL rating	ABS plastic 91V-O UL rating	ABS plastic 91V-O UL rating
<b>Dimensions (H x W x L)</b>	0.88" x 0.88" x 0.68" 2.3 x 2.3 x 1.72 cm	2.3" x 0.72" x 0.7" 5.8 x 1.8 x 1.77 cm	1.5" x 1.25" x 0.8" 3.8 x 7.1 x 2 cm
<b>Weight</b>	.06 lb (25 g)	.06 lb (25 g)	.06 lb (25 g)
<b>Environmental</b>			
<b>Operating Temperature</b>	-10°C to +70°C	-10°C to +70°C	-10°C to +70°C
<b>Storage Temperature</b>	-30°C to +70°C	-30°C to +70°C	-30°C to +70°C
<b>Humidity</b>	0 to 95%, non-condensing	0 to 95%, non-condensing	0 to 95%, non-condensing

## Ordering Information

GEC-VCR	Video/Power Balun Combiner
GEC-VPDBC	Video/Data/Power (VDP) Balun Combiner
GEC-VCR12V	Video/Data/Power (VDP) Balun Combiner w/12 VDC Converter

Security Products by GE are now part of the UTC Fire & Security family



**UTC Fire & Security**

A United Technologies Company