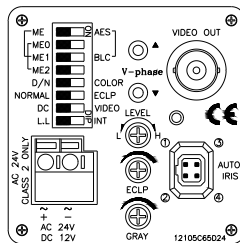


HTC-65GEP COLOR CCD CAMERA WITH ECLIPSE FUNCTION



FEATURES

- Eclipse function
 - Viewing high bright object
 - Viewing an object in front of a bright background
- Line Lock option
- High image quality
- Auto white balance

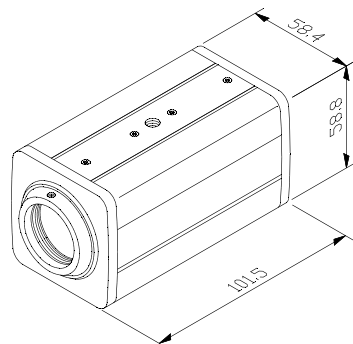


	HTC-65GEP
Pick-up Device	1/3" CCD image sensor
Picture Elements	NTSC/PAL: 768*494 PAL: 725*582
H. Sync Frequency	NTSC: 15.734 KHz, PAL:15.625 KHz
V. Sync. Frequency	NTSC: 59.94 Hz, PAL: 50 Hz
Synchronization	Internal / DC type, line - lock / AC type (option)
Horizontal Resolution (TV lines)	More than 480 TV Lines
Sensitivity	1 Lux
Eclipse	ON/OFF Switchable
Back Light Compensation	ON/OFF Switchable
Electronic Shutter (AES)	Up to 1/100,000 sec. ON/OFF Switchable
Lens	CS Mount
S/N Ratio	More than 48 dB (AGC OFF)
Video Output	1 Vp-p, 75 Ohms Composite
Auto Iris	Video Driver / DC Driver Switchable
Power Supply	12VDC /24V AC dual mode
Power Consumption	310mA for DC12V 4W for 24VAC
Weight gr	DC: 270, AC:430
Dimensions W*H*D (mm)	58.4 *58.8*101.5
Storage Temperature	-30°C ~ +60°C
Operating Temperature	-10°C ~ +45°C

SPECIFICATIONS ARE SUBJECT TO CHANGE WITHOUT NOTICE

**Special Price for Over 10Pcs (Inclusive),
Please Contact:020 8965 0111 or E-mail:sales@huntelec.co.uk**

INTERFACE



HTC-65R COLOR CCD CAMERA WITH SHUTTER ADJUSTABLE FUNCTION



FEATURES

- High image quality
- Auto white balance
- 4 modes auto exposure function
- Digital control auto back light compensation
- Super AGC



	HTC-65R
Pick-up Device	1/3" CCD IMAGE SENSOR
Picture Elements	NTSC/PAL: 510*492 PAL: 500*582
H. Sync Frequency	NTSC: 15.734 KHz, PAL:15.625 KHz
V. Sync. Frequency	NTSC: 59.94 Hz, PAL: 50 Hz
Synchronization	Internal for DC type
Horizontal Resolution (TV lines)	More than 380 TV Lines
Sensitivity	1 Lux
Back Light Compensation	Yes
Electronic Shutter (AES)	8 steps adjustment
Gain Control	Switchable (Super-AGC or Normal AGC)
Lens	CS mount
S/N Ratio	more than 48 dB (AGC OFF)
Video Output	1 Vpp, 75 Ohms Composite
Power Supply	12VDC / 24V AC or 12VDC / 24V AC Dual mode
Power Consumption	280mA for DC12V-3.5W for 24VAC
Weight gr	DC: 270, AC:430
Dimensions W*H*D mm	58.4*58.8*101.5
Storage Temperature	-30°C ~ +60°C
Operating Temperature	-10°C ~ +45°C
WB (White Balance)	ATW: (Standard range), Push, Hold, 3200°k, 4200°k, 4700°k, 6300°k,

SPECIFICATIONS ARE SUBJECT TO CHANGE WITHOUT NOTICE

**Special Price for Over 10Pcs (Inclusive),
Please Contact:020 8965 0111 or E-mail:sales@huntelec.co.uk**

MODEL	DESCRIPTION
HTC-65R/DC12V	1/3" CCD med-res. colour camera, Sony chips, 8-step adjustable electronic shutter (AES) CS mount,380 TV lines, 1Lux, DC12V
HTC-65R/(AC+L.I.)	1/3" CCD med-res. colour camera, Sony chips, 8-step adjustable electronic shutter (AES) CS mount,380 TV lines, 1Lux, AC230V

INTERFACE

