

Multiple Output

AC Power Supply and Power Distribution Modules

Exclusive to Silent Witness

Now Available: Silent Witness multiple output 24 VAC Power Supplies and AC/DC Power Distribution Modules with individually fused outputs, individual screw terminals, individual camera status LED's, master power switches and master power LED's. Designed with customer needs and feedback in mind, the power supply and power distribution modules from Silent Witness make installation quick and easy. Choose from 4 or 8 outputs and take the guesswork out of your installations. Suitable for every application -- ease and convenience at the flick of a switch!

AC Power Supply Features:

- UL/ULc listed
- 24 VAC output
- 9 individual 1/2 " and 3/4" conduit knockouts to suit every application
- Power cord supplied
- Optional lock
- Optional NEMA 4 enclosure

AC/DC Power Distribution Module Features:

- 12-24 VDC or 24 VAC input
- 2.1 mm barrel connector or screw terminal input
- Individually fused outputs with screw terminals

Call your Silent Witness representative or visit our website for more information.

**SILENT
WITNESS®**
Securing your world

www.silentwitness.com
Toll free: 1-888-289-2288
International: 1-604-574-1523

SPECIFICATIONS

AC POWER SUPPLY SPECIFICATIONS

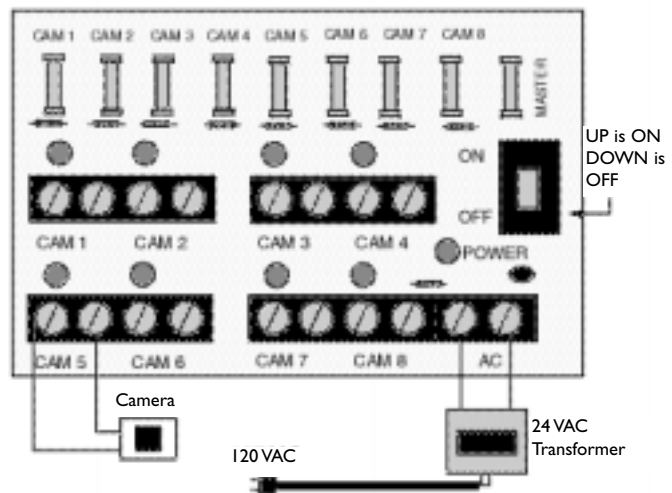
Model No.	SWPS24-04	SWPS24-08
Input	120 VAC	120 VAC
Outputs	4 x 24 VAC	8 x 24 VAC
Output Fuse Rating	0.5 A	0.5 A
Main Fuse Rating	3.5 A	3.5 A
Transformer Rating	96 VA	96 VA
Dimensions WxHxD	8.1x9.2x3.7" (206x233x93mm)	
Weight	6.4 lbs (2.9 kg)	

KEY FEATURES:

- UL/ ULc listed
- Individually fused outputs
- Individual screw terminals
- Individual status LEDs
- Master Power Switch
- Master power LED
- 1/2" and 3/4" conduit knockouts
- Power cord supplied
- Optional lock
- Optional NEMA 4 outdoor enclosure



BOARD LAYOUT (SWPS24-08)



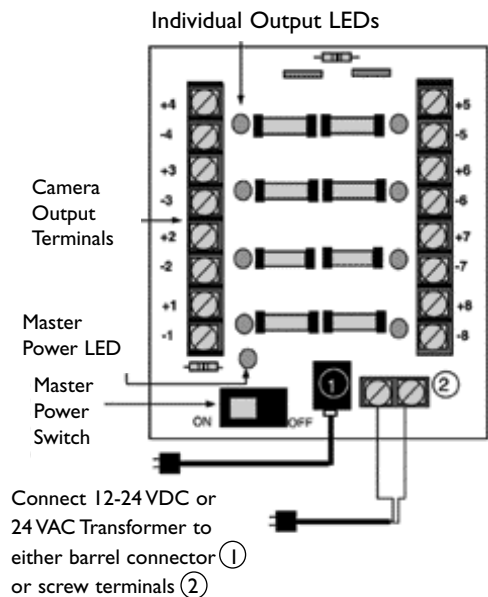
AC/DC POWER DISTRIBUTION MODULE SPECIFICATIONS

Model No.	SWPD-04	SWPD-08
Input	12-24 VDC or 24 VAC	12-24 VDC or 24 VAC
Outputs	4	8
Output Fuse Rating	0.5 A	0.5 A
Dimensions	6.3 in.W x 6 in.H x 1.5 in.D (160 mm x 153 mm x 37mm)	
Weight	0.85 lbs (0.395 kg)	

KEY FEATURES:

- Individually fused outputs
- Individual screw terminals
- Individual status LEDs
- Master power switch
- Master power LED
- 2.1 mm barrel connector or screw terminal input

BOARD LAYOUT (SWPD-08)



Caution: for DC power, always maintain correct polarity.

