

## MAXPRO-Net

www.honeywellvideo.com

### CPU SYSTEM SERVER AND SOFTWARE

Honeywell's new MAXPRO-Net is a Windows-based, full-featured CPU server specifically designed for security and surveillance professionals. It provides increased flexibility that leverages the latest existing analog video security environments and doesn't sacrifice the ability to adopt newer digital security solutions. Its system architecture integrates Honeywell's analog MAXPRO and VideoBloX video matrix switching hardware with more sophisticated digital CCTV recording equipment.

The MAXPRO-Net CPU server integrates small-to-large video matrix environments with networked security control solutions, such as access, fire, building management, intercom and perimeter systems. Its extensive library of CCTV equipment protocols gives system operators precise control and timely information in times of crises, whether they are on-site or remotely located. Live updates, system diagnostics, keyboard emulation, input/output control, alarms, camera test mode and message logs are all possible with pre-installed hardware configuration software tools.

The CPU system server is rack-mount ready and ships complete with an eight-port serial card, keyboard, mouse and MAXPRO-Net system software. In a standalone matrix configuration, up to 4,096 inputs and 256 output channels can be supported with a single MAXPRO-Net CPU system controller.

#### Market Opportunities

The MAXPRO-Net CPU server and software is ideal for any new or retrofit security surveillance application. From small, video matrix switch environments to complete, networkable integrated systems found in casinos, retail stores, healthcare facilities, correctional facilities, airports and other places that require multiple security components. MAXPRO-Net's power and robustness is designed to meet the challenges of today's growing security business needs.

#### Features

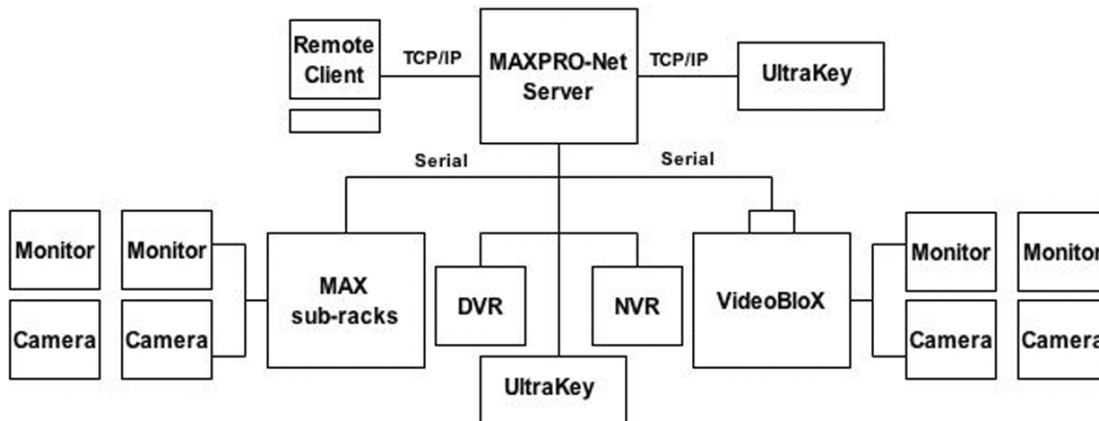
- Intuitive installation wizards for simple and fast setup
- Controls both MAX-1000 and VideoBloX matrix switching hardware
- Can import MAX-1000 configuration files for easy upgrade
- Centralized management console
- Connects directly to MAX sub-racks, VideoBloX chassis (adapter necessary) and protocol interface translators
- UltraKey™ support over Ethernet (requires new firmware to be loaded into UltraKey)
- Remote monitoring and configuration over Ethernet
- Remote control to satellite matrix switches
- Large library of protocols for PTZ
- Alarm outputs and PTZ control
- Local or remote configuration updates without rebooting the system
- High-level interface for integration with third party switchers, digital recording equipment, access control and alarm management systems



# MAXPRO-Net

www.honeywellvideo.com

## CONFIGURATION



## SPECIFICATIONS

The MAXPRO-Net system server communicates with external devices and accepts commands from external computers, keyboards, access control and other CCTV systems. One PCI Bus 8 port serial RS-422 COM card is included, providing communications between external devices. CPU keyboard and mouse included.

General	
<b>CPU:</b>	Intel Pentium 4 – 3 GHz
<b>Motherboard:</b>	Intel D915GAV Pentium 4 main board
<b>Memory:</b>	256 MB DDR400
<b>Case:</b>	3U Rack Mount Chassis, 300 Watt PSU
<b>Hard Drive:</b>	80 GB SATA hard drive
<b>Controller:</b>	On-board controller
<b>Floppy:</b>	3.5 floppy drive
<b>CD-ROM:</b>	52X CD-ROM
<b>Video Card:</b>	Integrated Graphics Media Accelerator 900
<b>Operating System:</b>	Windows 2003 Server
<b>Network Card:</b>	Intel Pro (10/100)
<b>Weight:</b>	44lbs. (25kg)
System Requirements	
	Client PC with Pentium 3 GHz, 512 RAM, 500 MB HD, 256K VGA monitor
	MAXPRO-Net system software
	Internet Explorer 5.5 or higher
Ordering	
<b>MAXPRO-Net</b>	CPU system server and software

**NOTE:** Honeywell reserves the right, without notification, to make changes in product design or specifications.

### Honeywell Security

Honeywell Video Systems  
 2700 Blankenbaker Pkwy, Suite 150  
 Louisville, KY 40299  
 1.800.796.CCTV  
 www.honeywell.com

AV05115  
 L/MAXPRONT/D  
 November 2005  
 ©2005 Honeywell International Inc.

# Honeywell